



Chipsmall Limited consists of a professional team with an average of over 10 year of expertise in the distribution of electronic components. Based in Hongkong, we have already established firm and mutual-benefit business relationships with customers from,Europe,America and south Asia,supplying obsolete and hard-to-find components to meet their specific needs.

With the principle of “Quality Parts,Customers Priority,Honest Operation,and Considerate Service”,our business mainly focus on the distribution of electronic components. Line cards we deal with include Microchip,ALPS,ROHM,Xilinx,Pulse,ON,Everlight and Freescale. Main products comprise IC,Modules,Potentiometer,IC Socket,Relay,Connector.Our parts cover such applications as commercial,industrial, and automotives areas.

We are looking forward to setting up business relationship with you and hope to provide you with the best service and solution. Let us make a better world for our industry!



Contact us

Tel: +86-755-8981 8866 Fax: +86-755-8427 6832

Email & Skype: info@chipsmall.com Web: www.chipsmall.com

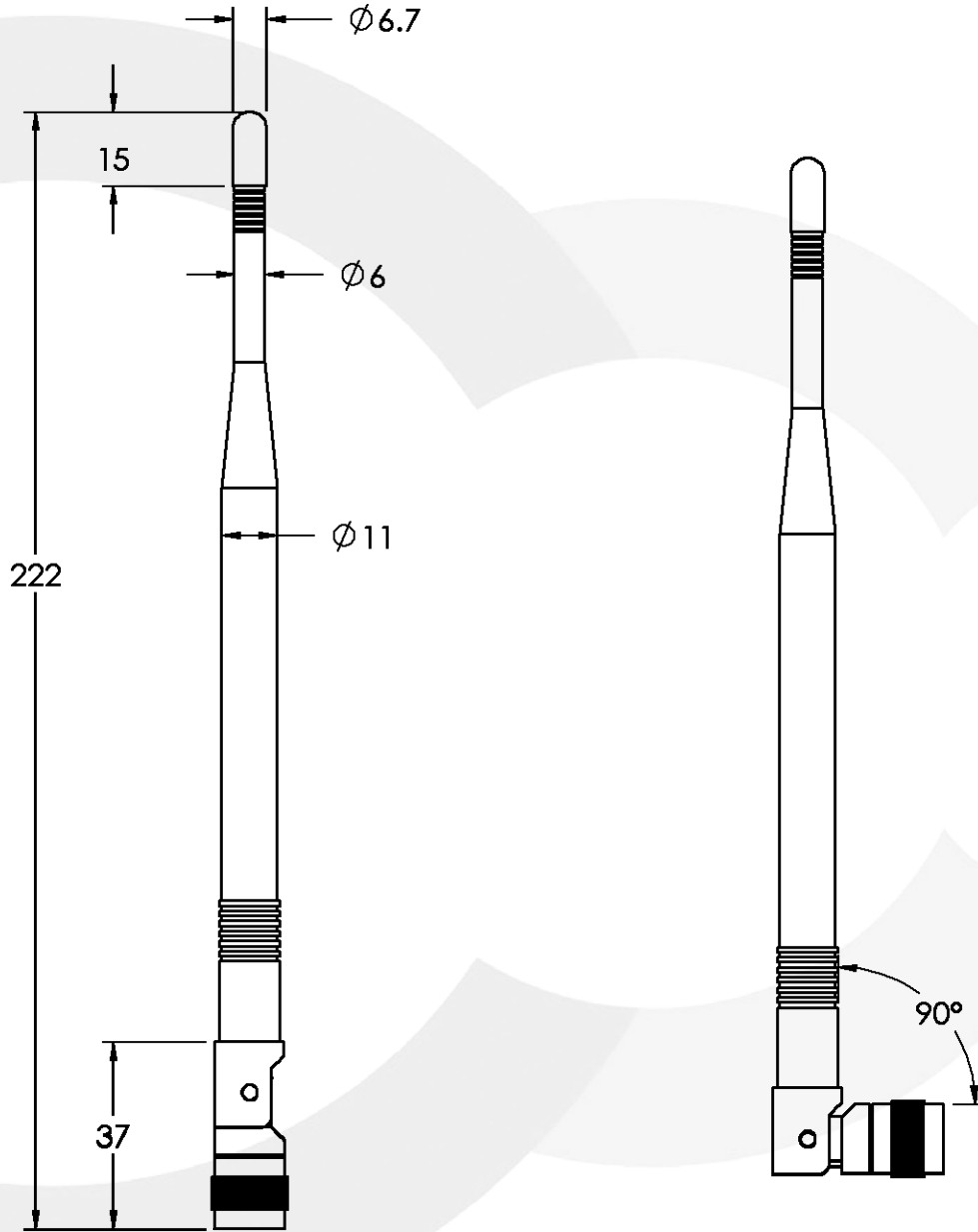
Address: A1208, Overseas Decoration Building, #122 Zhenhua RD., Futian, Shenzhen, China



SWIVEL DIPOLE 890 – 960 GHZ – GAIN : 2 dBi
SMA - Male
OMNIDIRECTIONAL ANTENNA

SPDA24918

Series : ANTENNA



All dimensions are in mm

Issue : 0710

In the effort to improve our products, we reserve the right to make changes judged to be necessary.



SWIVEL DIPOLE 890 – 960 GHZ – GAIN : 2 dBi
SMA - Male
OMNIDIRECTIONAL ANTENNA

SPDA24918
Series : ANTENNA

ELECTRICAL SPECIFICATIONS

Frequency : **890 - 960 MHz**
Nominal Impedance : **50 Ω**
Antenna Type: **Sleeve dipole**
VSWR : **2:1 Maxi.**
VSWR : **1.5:1 Typical**

Peak Gain : **+2.0 dBi +/- 1 dB**
Average Gain: **+1.5 dBi +/- 1 dB**
Gain Ripple: **+/- 0.5 dB**

Radiation Pattern

-3 dB beamwidth

Horizontal Plane : **360°**
Vertical Plane : **76° ±3°**

Polarization : **VERTICAL**

Power withstanding : **2 W**

Connector type : **SMA Male**

Cable type : **none**

MECHANICAL SPECIFICATIONS

Plastic radome : **Polyurethane**
Color : **Black**

SWIVEL DIPOLE 890 – 960 GHZ – GAIN : 2 dBi
SMA - Male
OMNIDIRECTIONAL ANTENNA

SPDA24918

Series : ANTENNA

Weight :

26 g

Overall length :

222 mm
8.75 inches

ENVIRONMENTAL SPECIFICATIONS

Operating temperature :

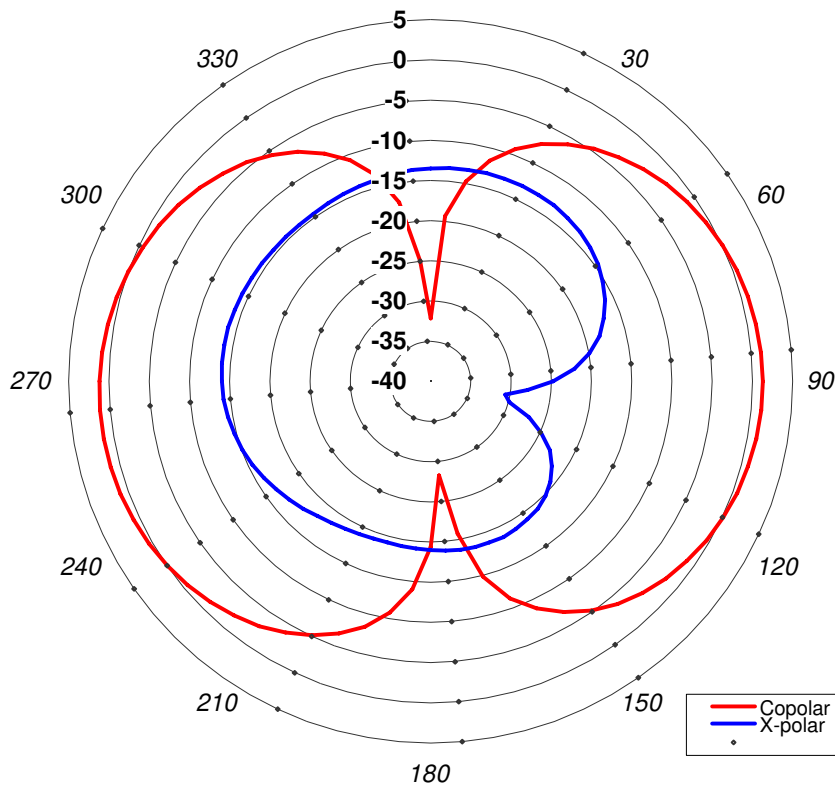
-30/+60 ° C

Humidity:

Up to 100% @ 38°C

CURVES

**Gain, Dipolar Plane
dBi**



Issue : 0710

In the effort to improve our products, we reserve the right to make changes judged to be necessary.

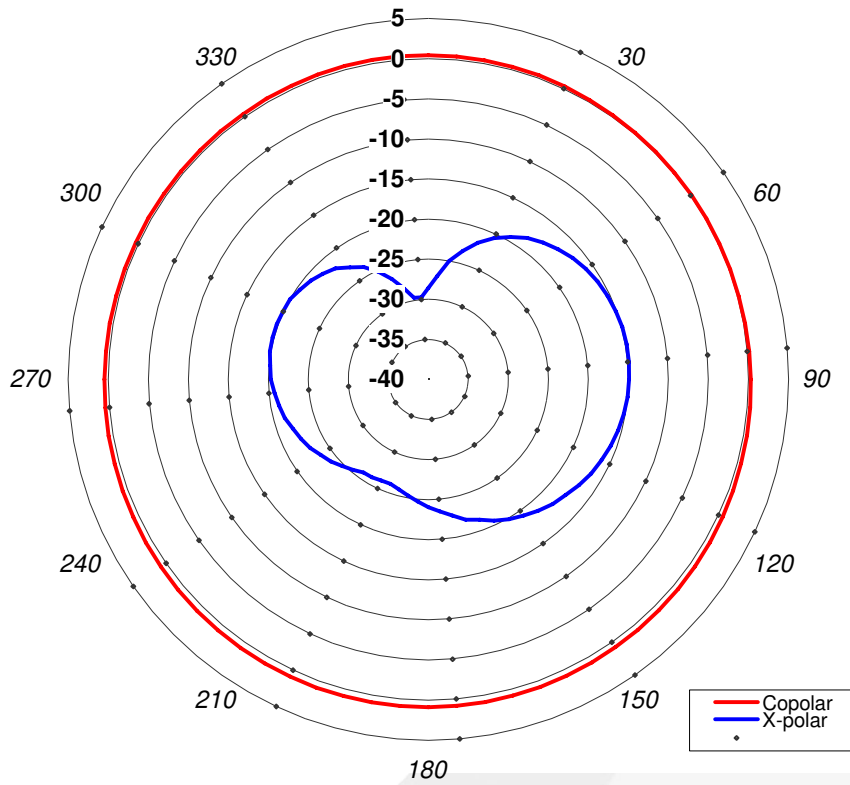


SWIVEL DIPOLE 890 – 960 GHZ – GAIN : 2 dBi
SMA - Male
OMNIDIRECTIONAL ANTENNA

SPDA24918

Series : ANTENNA

Gain, Omnidirectional Plane
dBi



Issue : 0710

In the effort to improve our products, we reserve the right to make changes judged to be necessary.

