



Chipsmall Limited consists of a professional team with an average of over 10 year of expertise in the distribution of electronic components. Based in Hongkong, we have already established firm and mutual-benefit business relationships with customers from,Europe,America and south Asia,supplying obsolete and hard-to-find components to meet their specific needs.

With the principle of "Quality Parts,Customers Priority,Honest Operation,and Considerate Service",our business mainly focus on the distribution of electronic components. Line cards we deal with include Microchip,ALPS,ROHM,Xilinx,Pulse,ON,Everlight and Freescale. Main products comprise IC,Modules,Potentiometer,IC Socket,Relay,Connector.Our parts cover such applications as commercial,industrial, and automotives areas.

We are looking forward to setting up business relationship with you and hope to provide you with the best service and solution. Let us make a better world for our industry!



## Contact us

Tel: +86-755-8981 8866 Fax: +86-755-8427 6832

Email & Skype: info@chipsmall.com Web: www.chipsmall.com

Address: A1208, Overseas Decoration Building, #122 Zhenhua RD., Futian, Shenzhen, China



# Switching Power Supply Type SPDM 50 DIN Rail Mounting

CARLO GAVAZZI



- Universal input 85~264Vac
- Short circuit protection
- Internal input filter
- High efficiency up to 87%
- High average efficiency meets ErP 2009/125/EC
- Low standby power consumption
- 3 years warranty

## Product Description

The Switching power supplies SPDM Series are specially designed to be used in all automation application where the installation is on a DIN rail and compact dimensions and performance are a must. In particular the SPDM Series power supplies are significantly smaller than the standard power supplies of the same power. The greater compactness is achieved thanks to limited energy loss, that automatically generates greater effectiveness. This specific SPDM Series 50W Power supplies are available with 12VDC or 24VDC Output Voltage, with spring or screw terminals.

## Ordering Key

**SP D M 12 50 1 B**

Model \_\_\_\_\_  
 Mounting (D = Din rail) \_\_\_\_\_  
 Medium Width \_\_\_\_\_  
 Output voltage \_\_\_\_\_  
 Size \_\_\_\_\_  
 Input type \_\_\_\_\_  
 Spring terminal (Nil= Screw terminal) \_\_\_\_\_

## Approvals



## Output Performance

Model NO.	Output voltage	Output wattage	Output current	Eff. (Min.)	Eff. (Typ.)	Eff. (avg)
SPDM1250	+12VDC	48 Watt	4A	84%	86%	87%
SPDM2450	+24VDC	50 Watt	2.1A	85%	87%	87%

## Output Data All specifications are at nominal values, full load, 25°C ( 77°F ) unless otherwise noted

<b>Ripple &amp; noise</b> Vi nom, lo nom, BW=20MHz	100mV	<b>Hold up time</b> Vi: 115/230VAC, lo nom	20 / 50ms
<b>Minimum load</b> Vi nom	0%	<b>Transient recovery time</b> Vi nom 1~0.5 lo nom	2ms
<b>Voltage accuracy</b> lo nom, lo max	+1%	<b>Power back immunity</b> Vi nom, lo nom	
<b>Line regulation</b> Vi nom, Vi min. ... Vi max.	±1%	1 second	12V 22VDC 24V 35VDC
<b>Load regulation</b> Vi nom, lo min. ... lo nom.	±1%	<b>Capacitor load</b> Vi nom, lo nom	3500µF
<b>Voltage trim range</b> 0.8 lo nom	12V 11.4 ~ 15.6V 24V 22.5 ~ 28.5V	<b>DC ON indicator threshold at start up (Green LED)</b>	
<b>Rated continuous loading</b> Vi nom	12V 4A@12VDC/1.6A@15VDC 24V 2.1A@24VDC/1A@28.5VDC	12V	9.6 ~ 10.8VDC
<b>Turn on time</b> Vi nom, lo nom	1000ms	24V	19.2 ~ 21.6VDC
Vi nom, lo nom with 3500 µF CAP	1500ms	<b>Efficiency</b> Vi nom, lo nom Po / Pi	Up to 87%, see model list and typ efficiency curve

## Input Data All specifications are at nominal values, full load, 25°C ( 77°F ) unless otherwise noted

<b>Rated input voltage lo nom</b>	100VAC min 240VAC max	<b>Leakage current</b>	
<b>Voltage range</b>		Input-Output	0.25mA
AC in	85 ~ 264VAC	Input-FG	3.5mA
DC in	120 ~ 375VDC	<b>Rated input current (max.)</b>	
<b>Line frequency</b>		Vi: 85VAC, lo nom	1400 mA
Vi nom, lo nom	47 / 63Hz	<b>Power dissipation</b>	
<b>AC Current (typ.)</b>		Vi: 230VAC, lo nom 12V	8.0W
Vi: 115VAC	1000mA	24V	8.8W
Vi: 230VAC	500mA	<b>Standby power consumption</b>	
<b>Inrush current</b>		Vi nom, IO=0A	0.3W
Vi: 115/230VAC, lo nom	30 / 60A		

## Controls and Protections All specifications are at nominal values, full load, 25°C ( 77°F ) unless otherwise noted

<b>Over load</b>		<b>Output short circuit</b>	Hiccup mode
Vi nom (see typ current limited curve)	150%	<b>Input fuse</b>	T2A / 250VAC internal
<b>Over voltage</b>		<b>Internal surge voltage protection</b>	
Vi nom, 0.8 lo nom (auto recovery)		IEC 61000-4-5	Varistor
12V	16.2 ~ 18VDC	<b>Degree of protection</b>	IP20
24V	28.8 ~ 32.4VDC		

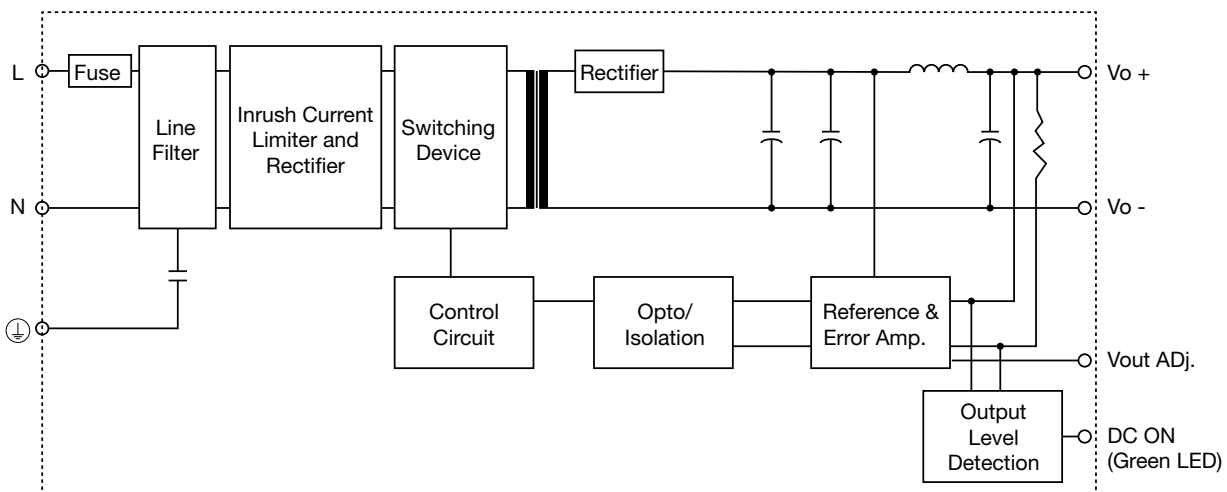
## General Data All specifications are at nominal values, full load, 25°C ( 77°F ) unless otherwise noted

<b>Operating temperature</b>		<b>Switching frequency</b>	
Operating at Vi nom	-25 ~ +71°C (-13 ~ 159.8°F)	Vi nom, lo nom	65KHz
<b>Ambient humidity</b>		<b>Insulation voltage</b>	
Vi nom, lo nom	20 ~ 95% RH	Input - Output	3000 / 4242VAC / VDC
<b>Storage temperature</b>		Input - FG	1500 / 2121VAC / VDC
Non operational	-40 ~ +85°C (-40 ~ 185°F)	Output - FG	500 / 710VAC / VDC
<b>MTBF</b>		<b>Insulation resistance</b>	
Bellcore issue 6@40°C, GB		Input - Output, @500VDC	100MΩ
12V	556000 Hours	<b>Derating (see diagram)</b>	
24V	580000 Hours	Vi nom, from +51°C (123°F)	2.5%/°K
<b>Cooling method</b>	Free air convection	<b>Temperature coefficient</b>	
<b>Dimensions HxDxW</b>		Vi nom, lo min	±0.03%/°K
	90 x 100 x 30mm (3.54" x 3.937" x 1.181")	<b>Altitude during operation</b>	
<b>Weight</b>	200g (0.441lb)	EN60950-1	5000m AMSL ( 16,400ft )
<b>Packing</b>		<b>Pollution degree</b>	2
Single	220g (0,485lb)	<b>Case material</b>	Plastic
Carton	48pcs 12kg (26.45lb) 2.16CUFT		

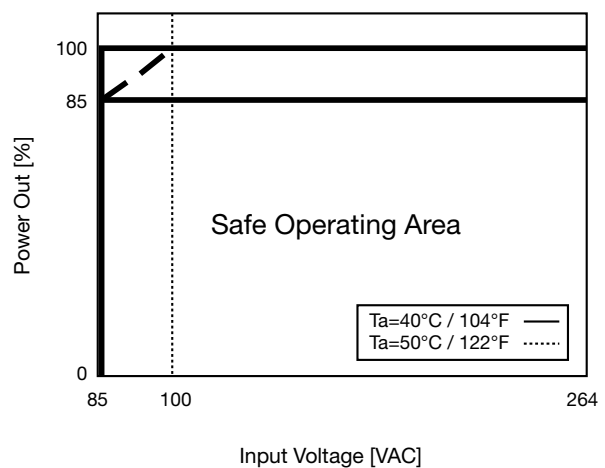
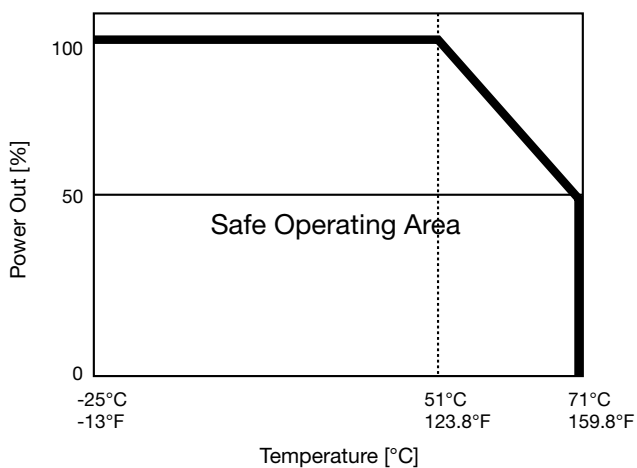
**Norms and Standard** All specifications are at nominal values, full load, 25°C ( 77°F ) unless otherwise noted

<b>UL / cUL</b>	UL508 Listed	<b>Vibration resistance</b>	Meets IEC 60068-2-6 Mounting on rail: 10-500 Hz, 2G, along X, Y, Z each Axis, 60 min for each Axis)
<b>UL1310</b>	Class 2 (pending)		
<b>cTUVus</b>	UL60950-1	<b>Shock resistance</b>	Meets IEC 60068-2-27 (15G, 11ms, 3Axis, 6Faces, 3 times for each Face)
<b>TUV</b>	EN60950-1		
<b>CE</b>	EN61000-6-3, EN55022 Class B, EN61000-3-2, EN61000-3-3 EN61000-6-2, EN55024, EN61000-4-2 Level 4, EN61000-4-3 Level 3, EN61000-4-4 Level 4, EN61000-4-5 L-N Level 3.L/N-FG Level 4, EN61000-4-6 Level 3, EN61000-4-8 Level 4, EN691000-4-11, ENV 50204 Level 2, EN61204-3		

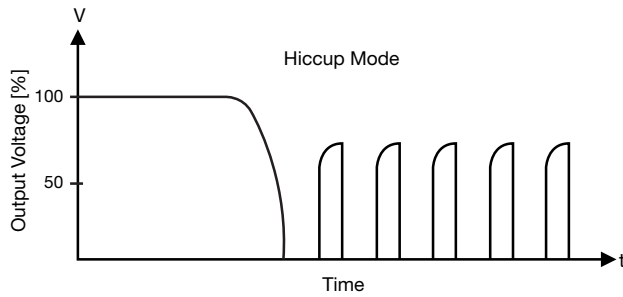
**Block Diagram**



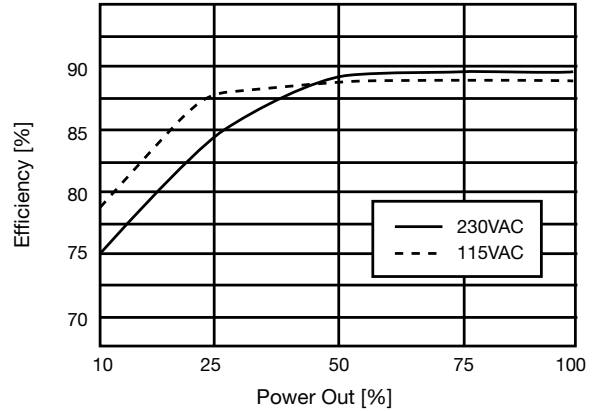
**Diagram Curve**




## Typ. Current Limited Curve



## Typ. Efficiency Curve



## Pin Assignment and Front Controls

PIN NO.	Designation	Description
1, 2	V+	Positive output terminal
3, 4	V-	Negative output terminal
5		Ground this terminal to minimize high frequency emissions
6	N	Input terminals (neutral conductor, no polarity with DC input)
7	L	Input terminals (phase conductor, no polarity with DC input)
	DC ON	Operation indicator LED
	Vout Adj.	Trimmer-potentiometer for Vout adjustment

## Mechanical Drawings mm (inches)

