



Chipsmall Limited consists of a professional team with an average of over 10 year of expertise in the distribution of electronic components. Based in Hongkong, we have already established firm and mutual-benefit business relationships with customers from,Europe,America and south Asia,supplying obsolete and hard-to-find components to meet their specific needs.

With the principle of “Quality Parts,Customers Priority,Honest Operation,and Considerate Service”,our business mainly focus on the distribution of electronic components. Line cards we deal with include Microchip,ALPS,ROHM,Xilinx,Pulse,ON,Everlight and Freescale. Main products comprise IC,Modules,Potentiometer,IC Socket,Relay,Connector.Our parts cover such applications as commercial,industrial, and automotives areas.

We are looking forward to setting up business relationship with you and hope to provide you with the best service and solution. Let us make a better world for our industry!



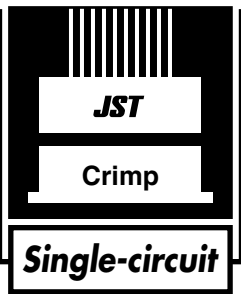
Contact us

Tel: +86-755-8981 8866 Fax: +86-755-8427 6832

Email & Skype: info@chipsmall.com Web: www.chipsmall.com

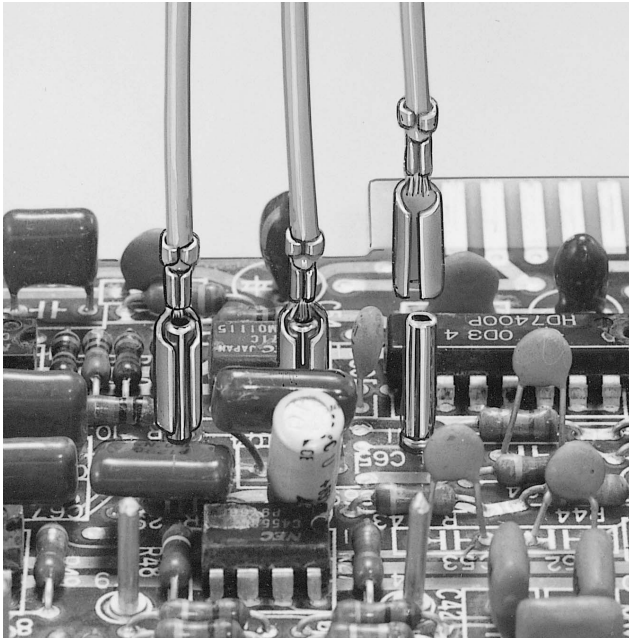
Address: A1208, Overseas Decoration Building, #122 Zhenhua RD., Futian, Shenzhen, China





SPF TERMINAL

Crimp style terminals for 2.36mm diameter pins

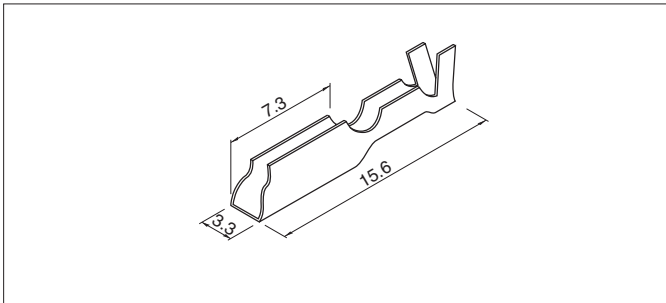


This terminal is used with 2.36mm diameter GT pins. The SPF terminal has a large contact area, withstands stress caused by repeated insertions and removals, and provides excellent retaining force. It is best suited for circuit connections that require a large current.

Specifications

- Current rating: 5A AC, DC
- Temperature range: -25°C to +85°C
(including temperature rise in applying electrical current)
- Contact resistance: Initial value/3m Ω max.
After environmental testing/5m Ω max.
- Applicable wire: AWG #24 to #20
- Applicable PC board thickness: 1.6mm
- * Compliant with RoHS.
- * Refer to "General Instruction and Notice when using Terminals and Connectors" at the end of this catalog.
- * Contact JST for details.

Terminal



Model No.	Applicable wire			Q'ty / reel
	mm ²	AWG#	Insulation O.D. (mm)	
SPF-01T-2.5C	0.2 to 0.5	24 to 20	1.6 to 2.7	10,000

Material and Finish

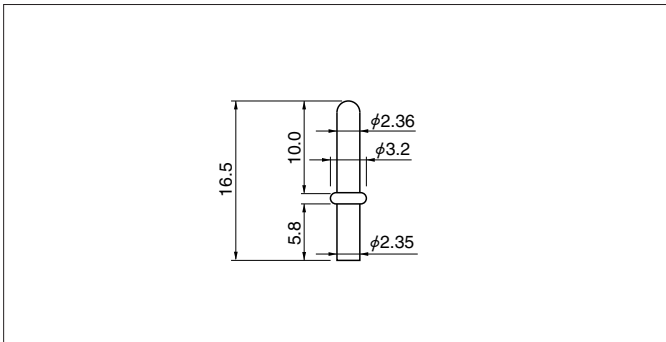
Brass, tin-plated (reflow treatment)

RoHS compliance

Note:

Contact JST for details if you require shielded wires or wires other than those listed above, or if two wires must be crimped.

Pin



Model No.	Applicable PC board		Q'ty / box
	Thickness (mm)	Hole diameter (mm) [Reference]	
RT-01N-2.3A	1.6	2.36 ±0.05	5,000

Material and Finish

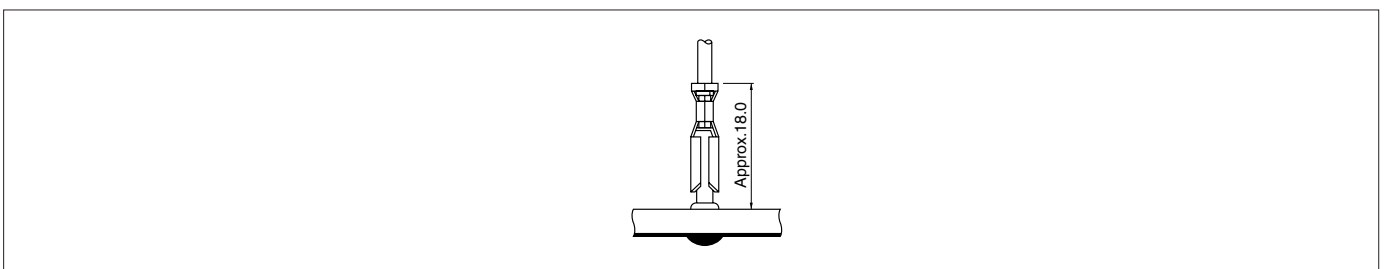
Brass, copper-undercoated, nickel-plated

RoHS compliance

Note:

Hole dimensions may differ according to the kind of PC board and piercing method.

Assembly layout



Crimping machine, Applicator

Contact	Crimping machine	Crimp applicator	Dies	Crimp applicator with dies
SPF-01T-2.5C	AP-K2N	MK-L	MK/SPF-01-25C	APLMK SPF01-25C
		-	-	-