



Chipsmall Limited consists of a professional team with an average of over 10 year of expertise in the distribution of electronic components. Based in Hongkong, we have already established firm and mutual-benefit business relationships with customers from,Europe,America and south Asia,supplying obsolete and hard-to-find components to meet their specific needs.

With the principle of “Quality Parts,Customers Priority,Honest Operation,and Considerate Service”,our business mainly focus on the distribution of electronic components. Line cards we deal with include Microchip,ALPS,ROHM,Xilinx,Pulse,ON,Everlight and Freescale. Main products comprise IC,Modules,Potentiometer,IC Socket,Relay,Connector.Our parts cover such applications as commercial,industrial, and automotives areas.

We are looking forward to setting up business relationship with you and hope to provide you with the best service and solution. Let us make a better world for our industry!



## Contact us

Tel: +86-755-8981 8866 Fax: +86-755-8427 6832

Email & Skype: info@chipsmall.com Web: www.chipsmall.com

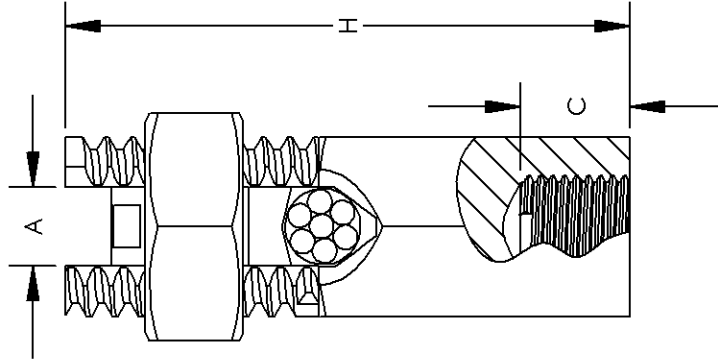
Address: A1208, Overseas Decoration Building, #122 Zhenhua RD., Futian, Shenzhen, China



THIS COPY IS PROVIDED ON A RESTRICTED BASIS AND IS NOT TO BE USED IN ANY WAY DETRIMENTAL TO THE INTERESTS OF PANDUIT CORP.



467 LISTED  
SUITABLE FOR  
DIRECT BURIAL



CATALOG NUMBER	CONDUCTOR RANGE	WIRE DIAMETER RANGE IN	STUD SIZE	HEX NUT		C		H		BODY HEX	
				IN	MM	IN	MM	IN	MM		IN
SPF1-8-C	12 SOL. - 8 STR.	.081 - .146	1/4-20	0.50	13	0.25	6	0.91	23	0.38	9
SPF1-7-C	10 SOL. - 7 STR.	.102 - .164	1/4-20	0.69	17	0.25	6	1.13	29	0.50	13
SPF1-4-C	8 SOL. - 4 STR.	.128 - .232	5/16-18	0.75	19	0.31	8	1.44	37	0.56	14
SPF1-3-C	6 STR. - 3 STR.	.184 - .260	3/8-16	0.81	21	0.38	9	1.50	38	0.63	16
SPF1-2-C	6 STR. - 2 STR.	.184 - .292	3/8-16	0.88	22	0.38	9	1.63	41	0.69	17
SPF1-1/0-L	2 SOL. - 1/0 STR.	.258 - .375	1/2-13	1.00	25	0.40	11	1.88	48	0.75	19
SPF1-2/0-Q	1 SOL. - 2/0 STR.	.289 - .419	1/2-13	1.13	29	0.50	13	2.06	52	0.88	22
SPF1-4/0-Q	1/0 STR. - 4/0 STR.	.375 - .528	5/8-11	1.38	35	0.63	16	2.38	60	1.13	29
SPF1-350-12	4/0 STR. - 350 kcmil	.528 - .682	5/8-11	1.50	38	0.63	16	2.63	67	1.25	32
SPF1-500-12	300 kcmil - 500 kcmil	.634 - .815	3/4-10	1.81	46	0.75	19	3.13	79	1.50	38

**NOTES:**

1. MATERIAL: HIGH COPPER CONTENT  
HARD DRAWN ROD
2. USED FOR CONNECTING CONDUCTORS  
OF VARIOUS SIZES TO EXTERNAL  
THREADED STUDS

REV	DATE	BY	CHK	DESCRIPTION	ECN	SCALE	N/A	DRAWING NO / CAD FILE
02	10/08	JHNU	JHNU	REVISED UL LISTING CONVERTED DWG. TO SOLIDWORKS				
01	9/97	JKD		REMOVED STS-11, STS-12 REPLACED CATALOG NUMBERS WITH FINISHED PART NUMBERS				
00	7/97	TM		DWG. RELEASED				



**PANDUIT CORP. TINLEY PARK, ILLINOIS**

BRONZE SERVICE POST CONNECTORS, TYPE SPF1  
CUSTOMER DRAWING

DRAWING NO / CAD FILE C41215\_02