



Chipsmall Limited consists of a professional team with an average of over 10 year of expertise in the distribution of electronic components. Based in Hongkong, we have already established firm and mutual-benefit business relationships with customers from,Europe,America and south Asia,supplying obsolete and hard-to-find components to meet their specific needs.

With the principle of “Quality Parts,Customers Priority,Honest Operation,and Considerate Service”,our business mainly focus on the distribution of electronic components. Line cards we deal with include Microchip,ALPS,ROHM,Xilinx,Pulse,ON,Everlight and Freescale. Main products comprise IC,Modules,Potentiometer,IC Socket,Relay,Connector.Our parts cover such applications as commercial,industrial, and automotives areas.

We are looking forward to setting up business relationship with you and hope to provide you with the best service and solution. Let us make a better world for our industry!



Contact us

Tel: +86-755-8981 8866 Fax: +86-755-8427 6832

Email & Skype: info@chipsmall.com Web: www.chipsmall.com

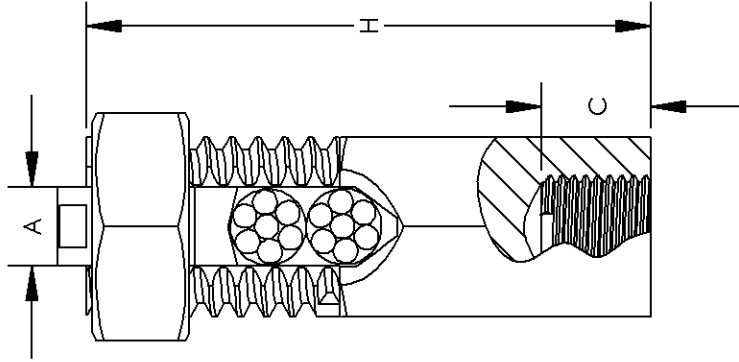
Address: A1208, Overseas Decoration Building, #122 Zhenhua RD., Futian, Shenzhen, China



THIS COPY IS PROVIDED ON A RESTRICTED BASIS AND IS NOT TO BE USED IN ANY WAY DETRIMENTAL TO THE INTERESTS OF PANDUIT CORP.



467 LISTED
SUITABLE FOR
DIRECT BURIAL



CATALOG NUMBER	CONDUCTOR RANGE	WIRE DIAMETER RANGE IN	STUD SIZE	HEX NUT		C		H		BODY HEX	
				IN	MM	IN	MM	IN	MM		
SPF2-8-C	12 SOL. - 8 STR.	.081 - .146	1/4-20	0.50	13	0.25	6	1.13	29	0.38	9
SPF2-7-C	10 SOL. - 7 STR.	.102 - .164	1/4-20	0.69	17	0.25	6	1.44	37	50.00	13
SPF2-4-C	10 SOL. - 4 STR.	.102 - .232	5/16-18	0.75	19	0.31	8	1.56	40	0.56	14
SPF2-3-C	10 SOL. - 3 STR.	.102 - .260	3/8-16	0.81	21	0.38	9	1.63	41	0.63	16
SPF2-2-C	10 SOL. - 2 STR.	.102 - .292	3/8-16	0.88	22	0.38	9	1.94	49	0.69	17
SPF2-1/0-L	2 SOL. - 1/0 STR.	.258 - .375	1/2-13	1.00	25	0.44	11	2.13	54	0.75	19
SPF2-2/0-Q	2 SOL. - 2/0 STR.	.258 - .419	1/2-13	1.13	29	0.50	13	2.31	59	0.88	22
SPF2-4/0-Q	1 SOL. - 4/0 STR.	.289 - .528	5/8-11	1.38	35	0.63	16	2.50	64	1.13	29
SPF2-350-12	1 STR. - 350 kcmil	.332 - .682	5/8-11	1.50	38	0.63	16	2.69	68	1.25	32
SPF2-500-12	3/0 STR. - 500 kcmil	.470 - .815	3/4-10	1.81	46	0.75	19	3.31	84	1.50	38

NOTES:

1. MATERIAL: HIGH COPPER CONTENT
HARD DRAWN ROD
2. USED FOR CONNECTING CONDUCTORS
OF VARIOUS SIZES TO EXTERNAL
THREADED STUDS

02	10/08	JHNU JHNU	REVISED UL LISTING CONVERTED DWG. TO SOLIDWORKS								
01	9/97	JKD	REMOVED SDS-11, SDS-12 REPLACED CATALOG NUMBERS WITH FINISHED PART NUMBERS								
00	7/97	TM	DWG. RELEASED								
REV	DATE	BY	CHK	DESCRIPTION	ECN	SCALE	N/A	DRAWING NO / CAD FILE	C41216_02		

PANDUIT CORP. TINLEY PARK, ILLINOIS
BRONZE SERVICE POST CONNECTORS, TYPE SPF2
CUSTOMER DRAWING