



Chipsmall Limited consists of a professional team with an average of over 10 year of expertise in the distribution of electronic components. Based in Hongkong, we have already established firm and mutual-benefit business relationships with customers from,Europe,America and south Asia,supplying obsolete and hard-to-find components to meet their specific needs.

With the principle of "Quality Parts,Customers Priority,Honest Operation,and Considerate Service",our business mainly focus on the distribution of electronic components. Line cards we deal with include Microchip,ALPS,ROHM,Xilinx,Pulse,ON,Everlight and Freescale. Main products comprise IC,Modules,Potentiometer,IC Socket,Relay,Connector.Our parts cover such applications as commercial,industrial, and automotives areas.

We are looking forward to setting up business relationship with you and hope to provide you with the best service and solution. Let us make a better world for our industry!



## Contact us

Tel: +86-755-8981 8866 Fax: +86-755-8427 6832

Email & Skype: info@chipsmall.com Web: www.chipsmall.com

Address: A1208, Overseas Decoration Building, #122 Zhenhua RD., Futian, Shenzhen, China



# Power Module Product List

TAMURA CORPORATION OF AMERICA  
1040 South Andreasen Dr. Ste 100  
Escondido, CA 92029

Contact: 1-800-472-6624  
sales@tamuracorp.com

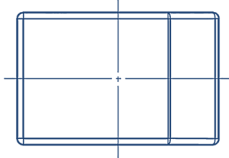
	Part Number	Main Specifications					Insulation (between Pri-Sec)
		Output Voltage	Rated Load	Output (Single or Multi)	External Type	RoHS Compliant	
SPM	<a href="#"><u>SPM0307SJ</u></a>	3.3V	0.7A	Single	S18S	YES	Reinforced insulation
	<a href="#"><u>SPM0507SJ</u></a>	5V	0.66A				Reinforced insulation
	<a href="#"><u>SPM1203SJ</u></a>	12V	0.28A				Reinforced insulation
	<a href="#"><u>SPM1502SJ</u></a>	15V	0.22A				Reinforced insulation
	<a href="#"><u>SPM2402SJ</u></a>	24V	0.15A				Basic insulation
EPM	<a href="#"><u>EPM0310SJ</u></a>	3.3V	1A	Single	FE19S	YES	Reinforced insulation
	<a href="#"><u>EPM0510SJ</u></a>	5V	1A		FE19S		Reinforced insulation
	<a href="#"><u>EPM1205SJ</u></a>	12V	0.5A		FE19S		Reinforced insulation
	<a href="#"><u>EPM1210SJ</u></a>	12V	1A		FE22S		Reinforced insulation
	<a href="#"><u>EPM1505SJ</u></a>	15V	0.5A		FE19S		Reinforced insulation
	<a href="#"><u>EPM1510SJ</u></a>	15V	1A		FE22S		Reinforced insulation
	<a href="#"><u>EPM2405SJ</u></a>	24V	0.5A		FE22S		Reinforced insulation
	<a href="#"><u>EPM120806D</u></a>	8V	0.05A	Multi	FE19D	YES	Reinforced insulation
		12V	0.5A				
	<a href="#"><u>EPM122410D</u></a>	12V	0.2A		FE22D		Reinforced insulation
		24V	0.1A				
	<a href="#"><u>EPM141626D</u></a>	13.5V	0.3A		FE22D		Basic insulation
		16V	0.12A				
BPM	<a href="#"><u>BPM0390SJ</u></a>	3.3V	9A	Single	B32S	YES	Reinforced insulation
	<a href="#"><u>BPM0580SJ</u></a>	5V	8A		B32S		Reinforced insulation
	<a href="#"><u>BPM1234SJ</u></a>	12V	3.4A		B32S		Reinforced insulation
	<a href="#"><u>BPM1527SJ</u></a>	15V	2.7A		B32S		Reinforced insulation
	<a href="#"><u>BPM2417SJ</u></a>	24V	1.7A		B32S		Reinforced insulation

# Power Module Product List

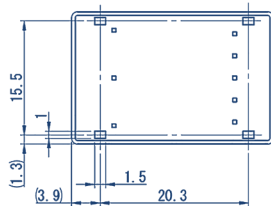
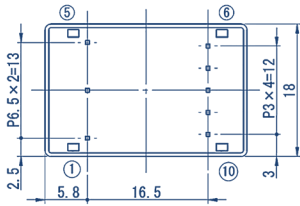
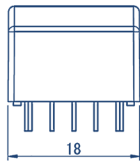
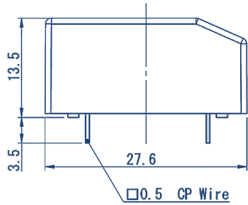
TAMURA CORPORATION OF AMERICA  
1040 South Andreasen Dr. Ste 100  
Escondido, CA 92029

Contact: 1-800-472-6624  
sales@tamuracorp.com

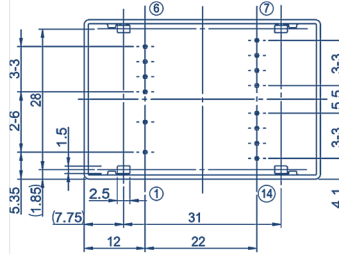
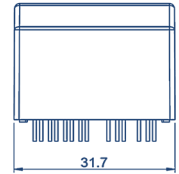
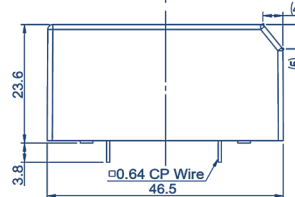
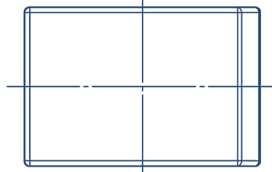
## SPM Series External Dimensions



Note: 1. The dimensional tolerance without directions is  $\pm 0.5\text{mm}$ .

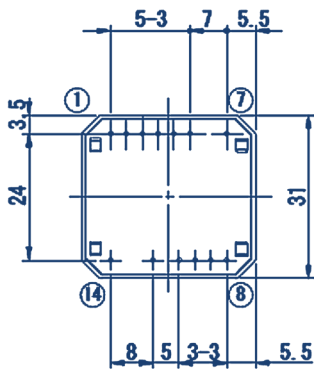
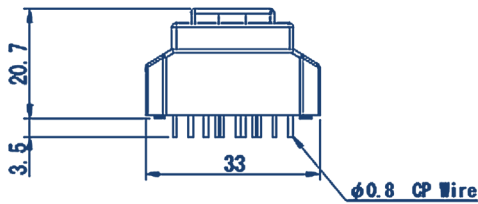


## BPM Series External Dimensions



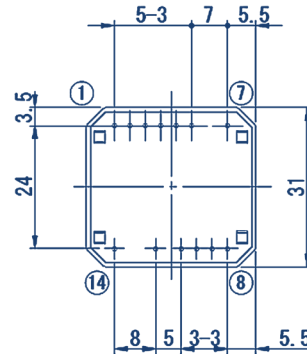
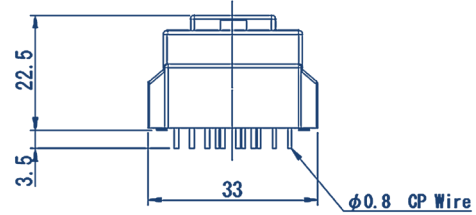
## EPM Series External Dimensions

### EF19S, EF19D



FE19S 1 ~ 3 : With no pin

### EF22S, EF22D



FE22S 1 ~ 3 : With no pin