



Chipsmall Limited consists of a professional team with an average of over 10 year of expertise in the distribution of electronic components. Based in Hongkong, we have already established firm and mutual-benefit business relationships with customers from,Europe,America and south Asia,supplying obsolete and hard-to-find components to meet their specific needs.

With the principle of “Quality Parts,Customers Priority,Honest Operation,and Considerate Service”,our business mainly focus on the distribution of electronic components. Line cards we deal with include Microchip,ALPS,ROHM,Xilinx,Pulse,ON,Everlight and Freescale. Main products comprise IC,Modules,Potentiometer,IC Socket,Relay,Connector.Our parts cover such applications as commercial,industrial, and automotives areas.

We are looking forward to setting up business relationship with you and hope to provide you with the best service and solution. Let us make a better world for our industry!



## Contact us

Tel: +86-755-8981 8866 Fax: +86-755-8427 6832

Email & Skype: info@chipsmall.com Web: www.chipsmall.com

Address: A1208, Overseas Decoration Building, #122 Zhenhua RD., Futian, Shenzhen, China



# Switching Power Supply Redundant Module Type SPM2RM2410 DIN rail mounting

CARLO GAVAZZI



- Installation on DIN Rail 7.5 or 15mm
- Low profile installation
- Up to 240W output
- Unlimited number of connectable redundant power supplies
- Very compact dimensions
- UL, cUL listed
- TUV approved
- Ce and RoHS compliant

## Product Description

This SPD additional module allows the connection of 1 power supply +1 or more additional redundant power supplies. In this case, the continuity of the 24VDC output is always guaranteed, even in case of failure of one power supply.

## Ordering Key

**SP M 2 RM 24 10**

Model \_\_\_\_\_  
 Enclosure (M = Modular DIN type) \_\_\_\_\_  
 Number of DIN modules \_\_\_\_\_  
 Redundant module \_\_\_\_\_  
 Output voltage \_\_\_\_\_  
 Maximum output current (A) \_\_\_\_\_

## Approvals



## Output Data

Output voltage drop	0.5V
Output maximum Current	10A
Max Reverse Voltage	30V

## Input Data

Rated input Voltage	21...28VDC
Number of inputs	2
Maximum input current	10A

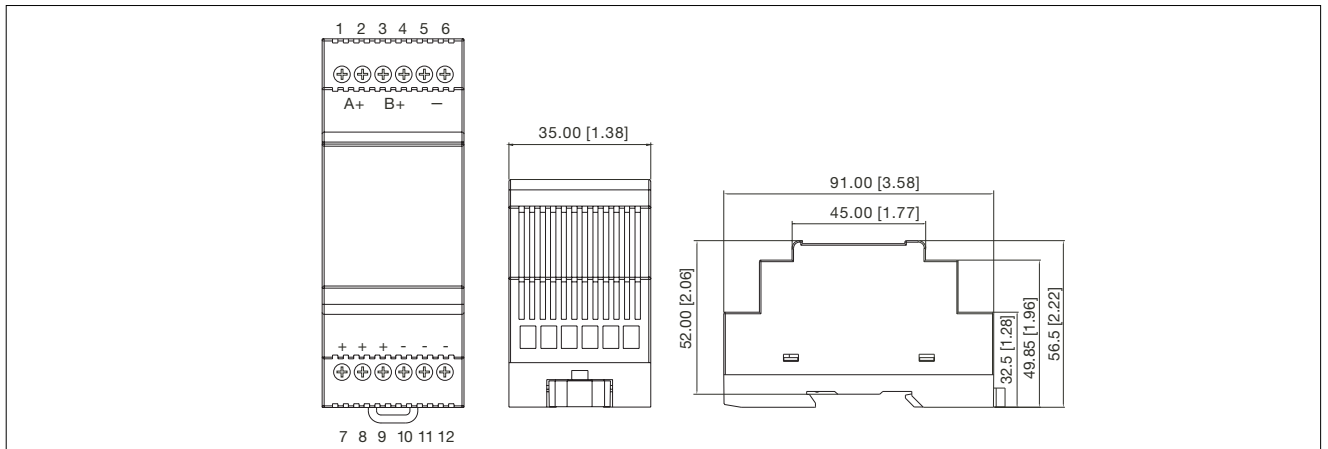
## General Data

Operating temperature	-25°C...+71°C
Storage temperature	-25°C...+85°C
Relative Humidity	20...95%RH
MTBF (Bellcore issue 6 @ 40°C, GB)	9.697.000h
Case material	Plastic
Cooling	Free air convection
Dimensions L x W x D	91 x 35 x 56.55mm
Weight	75g

## Approvals and EMC

Shock resistance	acc. to IEC 60068-2-27 (15G, 11ms, 3 Axis, 6 Faces, 3 times for each Face)
Vibration resistance	acc. to IEC 60068-2-6 (Mounting by rail: 10-500 Hz, 2G, along X, Y, Z each Axis, 60 min for each Axis)
CE	EN 55022 Class B, EN 55024, EN 61000-4-2, EN 61000-4-3, EN 61000-4-4, EN 61000-4-6, EN 61000-4-8, EN 61204-3

## Mechanical Drawings mm (inches)

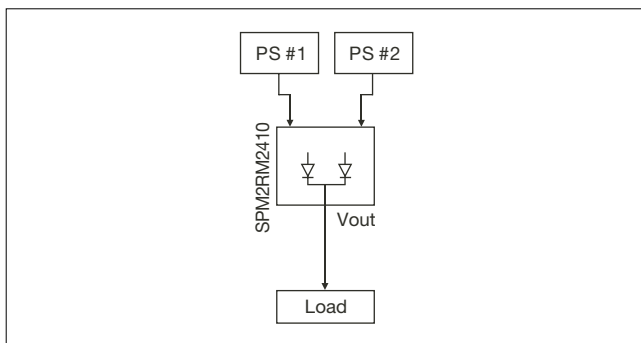


## Pin Assignment and Front Controls

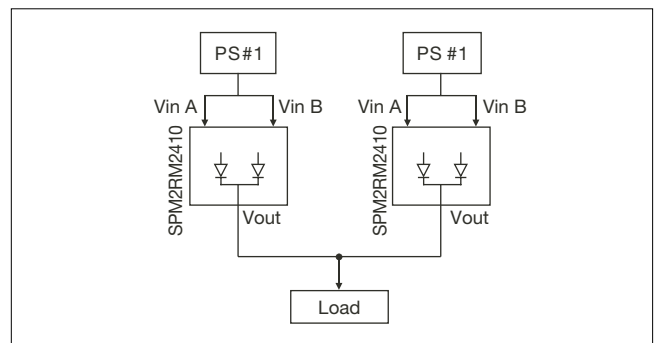
Pin No.	Designation	Description
1	Input A+	Positive Input power supply A
2	Input A+	Positive Input power supply A
3	Input B+	Positive Input power supply B
4	Input B+	Positive Input power supply B
5	Input -	Negative Input power supply
6	Input -	Negative Input power supply
7	Output +	Positive Output terminal
8	Output +	Positive Output terminal
9	Output +	Positive Output terminal
10	Output -	Negative Output terminal
11	Output -	Negative Output terminal
12	Output -	Negative Output terminal

## Typical Application Notes

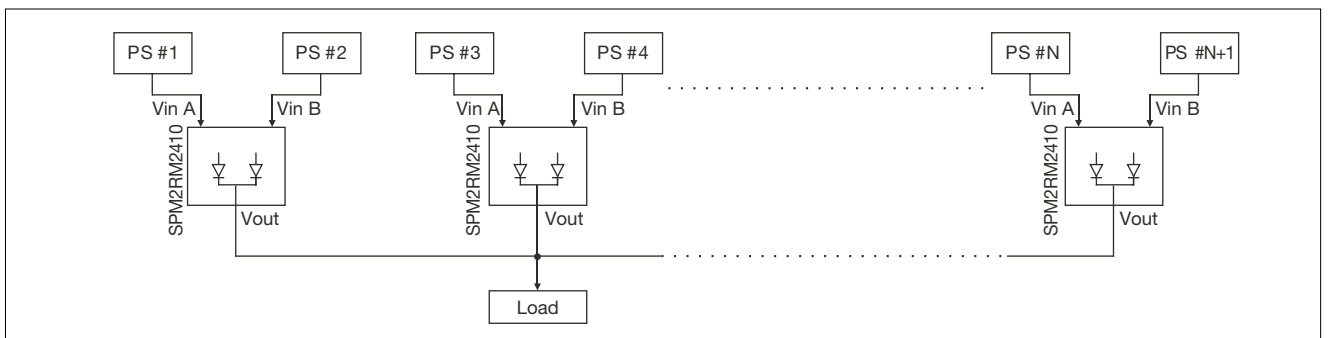
1.) 1+1 Redundancy: Using 1 more PS as the redundant unit.



2.) Single Use: Connecting only one PS to one SPD24RM20 to reduce the stress of the diodes and hence increase the reliability.

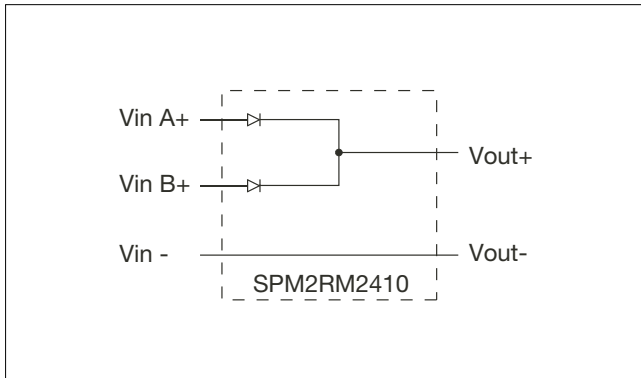


3.) 1+N Redundancy: Using more than one PS as redundant units to increase the reliability.





## Circuit Diagram



## Installation

<b>Ventilation and cooling</b>	Normal convection All sides 25mm free space for cooling is recommended
<b>Screw terminals</b>	10-24AWG flexible or solid cable 8mm stripping recommend
<b>Max. torque for screws terminals</b>	
Input terminals	1.008Nm (9.0lb-in)
Output terminals	0.616Nm (5.5lb-in)
<b>Plug-in connectors</b>	10-24AWG flexible or solid cable 7mm stripping recommend
<b>Max. torque for plug-in terminals</b>	
Input terminals	0.784Nm (7.0lb-in)
Output terminals	0.784Nm (7.0lb-in)