



Chipsmall Limited consists of a professional team with an average of over 10 year of expertise in the distribution of electronic components. Based in Hongkong, we have already established firm and mutual-benefit business relationships with customers from,Europe,America and south Asia,supplying obsolete and hard-to-find components to meet their specific needs.

With the principle of “Quality Parts,Customers Priority,Honest Operation,and Considerate Service”,our business mainly focus on the distribution of electronic components. Line cards we deal with include Microchip,ALPS,ROHM,Xilinx,Pulse,ON,Everlight and Freescale. Main products comprise IC,Modules,Potentiometer,IC Socket,Relay,Connector.Our parts cover such applications as commercial,industrial, and automotives areas.

We are looking forward to setting up business relationship with you and hope to provide you with the best service and solution. Let us make a better world for our industry!



## Contact us

Tel: +86-755-8981 8866 Fax: +86-755-8427 6832

Email & Skype: info@chipsmall.com Web: www.chipsmall.com

Address: A1208, Overseas Decoration Building, #122 Zhenhua RD., Futian, Shenzhen, China



# Modular Switching Power Supply Type SPM 3 DIN rail mounting



- Single DIN module
- Universal input 90/264VAC – 120/370VDC
- High efficiency up to 83%
- Short circuit protection
- Overload protection
- Internal input filter
- LOW voltage LED indicator
- UL Class 2 Output

## Product Description

SPM Modular switching power supplies are specifically designed in order to satisfy both the Automation and the Building automation application requirements. The three DIN modules PS is capable of up to 30W of output power. Its high efficiency prevents excess of heat in the installation place.

## Ordering Key

**SPM 3 - 24 1**

Series \_\_\_\_\_  
 Number of DIN modules \_\_\_\_\_  
 Output Voltage \_\_\_\_\_  
 Phases (only single phase) \_\_\_\_\_

## Approvals



## Output performances

Model	Input Voltage	Output Power	Output Voltage	Current	Typical Efficiency
SPM3-051	90~264Vac	15W	5Vdc	3.0A	74%
SPM3-121	90~264Vac	25W	12Vdc	2.1A	82%
SPM3-151	90~264Vac	30W	15Vdc	2.0A	83%
SPM3-241	90~264Vac	30W	24Vdc	1.3A	83%

## Output data

Line regulation	1% max.	
Load regulation	1%	
Output Voltage accuracy	±1%	
Ripple and Noise	50mV	
Temperature Coefficient	±0.02%/°C (±0.0112%/°F)	
Hold up time	Vi = 115Vac	25ms
	Vi = 230Vac	100ms
Minimum load	0%	
Voltage trim range	Min.	Max.
	5V	5.5Vdc
	12V	14Vdc
	15V	16.5Vdc
	24V	28Vdc

Transient recovery time (50% load step changed)	1ms	
DC ON indicator	Min.	Max.
	5V	3Vdc
	12V	9Vdc
	15V	11Vdc
	24V	20Vdc
DC LOW indicator	Min.	Max.
	5V	3.2Vdc
	12V	8.8Vdc
	15V	12.5Vdc
	24V	22Vdc



## Input data

<b>Rated input voltage</b>	100/240VAC
<b>Voltage range</b>	
AC in	90 - 264 Vac
DC in	120 - 370 Vdc
<b>Line frequency</b>	47 - 63Hz
<b>Inrush current</b>	
Vi= 115Vac	Typ: 20A Max: 25A
Vi= 230Vac	Typ: 40A Max: 50A

\* Not replaceable by user

## Controls and Protections

<b>Input Fuse</b>	T2A/250Vac internal*
<b>Output Short Circuit</b>	Fold forward
<b>Rated Overload Protection</b>	110-150%

## General data (@ nominal line, full load, 25°C )

<b>Insulation voltage</b>	3.000Vac	<b>Cooling</b>	Free air convection
<b>Insulation resistance</b>	100MΩ	<b>Case material</b>	Plastic (PC-UL94-V0)
<b>Ambient temperature</b>	-25°C to 71°C (-13°F to 159.8°F)	<b>Weight</b>	185g
<b>Derating (&gt;61°C to +71°C)</b>	2.5%/°C (1.4%/°F)	<b>Protection degree</b>	IP20
<b>Ambient humidity</b>	90%RH		
<b>Storage temperature</b>	-25°C to 85°C (-13°F to 185°F)		
<b>Dimensions L x W x D mm</b>	91 x 52 x 55.5		
<b>Dimensions L x W x D inches</b>	3.582 x 2.047 x 2.185		

## Approvals

**UL / cUL** file: E258355  
 file: E258395  
 file: E258396

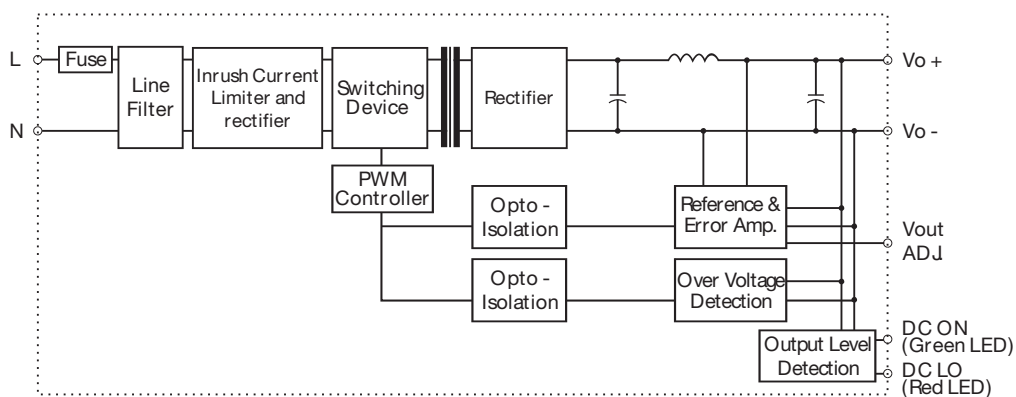
UL508 listed,  
 UL1310 Class 2 power supply,  
 UL60950-1 Recognized

**CE**

**TUV** EN60950-1

EN61000-6-3,  
 EN55022 class B,  
 EN61000-3-2,  
 EN61000-3-3,  
 EN61000-6-2, EN55024,  
 EN61000-4-2, EN61000-4-3,  
 EN61000-4-4, EN61000-4-5,  
 EN61000-4-6, EN61000-4-8,  
 EN61000-4-11

## Block diagrams



## Pin assignement and front controls

Pin No.	Designation	Description
1	+	Positive output terminal
2	+	Positive output terminal
3	-	Negative output terminal
4	-	Negative output terminal
5	L	Input terminal (phase conductor, no polarity @ DC input)
6	N	Input terminal (neutral conductor, no polarity @ DC input)
P1	Vout Adj.	Trimmer-potentiometer for Vout adjustment
LED1	DC ON	Operation indicator LED
LED2	DC LOW	DC LOW indicator LED

## Installation

### VENTILATION / COOLING:

- Normal air convection
- 25mm of free space along all sides to allow good cooling

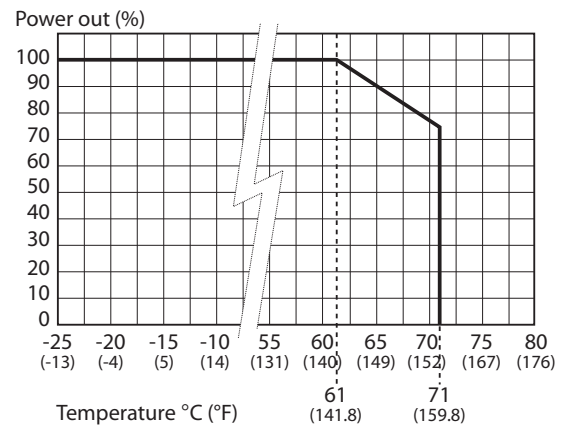
### CONNECTOR SIZE RANGE:

- Solid: 0.2-2.0,mm<sup>2</sup> (AWG24-14)  
 (user copper conductors only)

## Construction

Easy snap-on mounting onto the DIN-Rail (TS35/7.5 or TS35/15), unit sits safety and firmly on the rail; no tools required even to remove.

## Derating Diagram



## Mechanical Drawings (mm)

