



Chipsmall Limited consists of a professional team with an average of over 10 year of expertise in the distribution of electronic components. Based in Hongkong, we have already established firm and mutual-benefit business relationships with customers from,Europe,America and south Asia,supplying obsolete and hard-to-find components to meet their specific needs.

With the principle of “Quality Parts,Customers Priority,Honest Operation,and Considerate Service”,our business mainly focus on the distribution of electronic components. Line cards we deal with include Microchip,ALPS,ROHM,Xilinx,Pulse,ON,Everlight and Freescale. Main products comprise IC,Modules,Potentiometer,IC Socket,Relay,Connector.Our parts cover such applications as commercial,industrial, and automotives areas.

We are looking forward to setting up business relationship with you and hope to provide you with the best service and solution. Let us make a better world for our industry!



Contact us

Tel: +86-755-8981 8866 Fax: +86-755-8427 6832

Email & Skype: info@chipsmall.com Web: www.chipsmall.com

Address: A1208, Overseas Decoration Building, #122 Zhenhua RD., Futian, Shenzhen, China

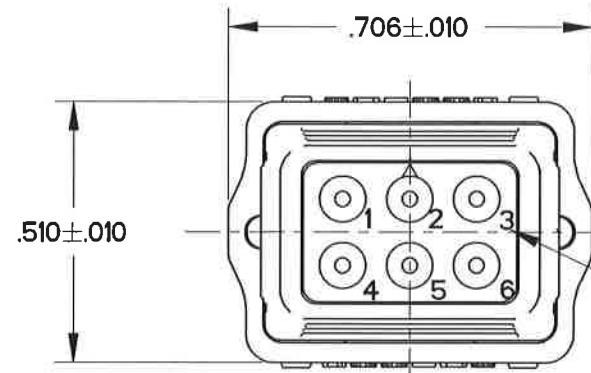


SQR620100

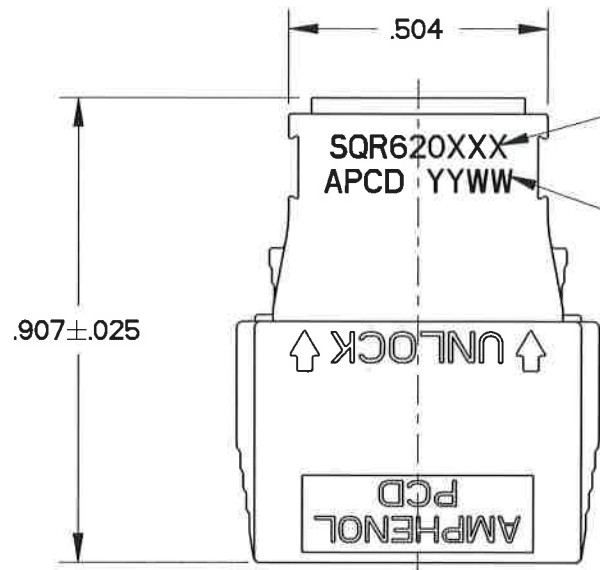
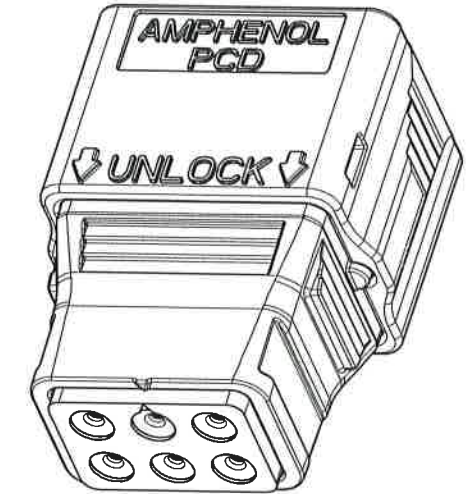
TABLE I - PART NUMBER SCHEME

APCD P/N	CONTACTS SUPPLIED	COLOR / KEY	P/N MARKING	PART MATES WITH	COUPLING NUT COLOR
SQR620121	(6) M39029/58-363	WHITE / C	SQR620120	SQR620270 SQR620570	BLUE
SQR620120	NONE				
SQR620111	(6) M39029/58-363	GREEN / B	SQR620110	SQR620260 SQR620560	
SQR620110	NONE				
SQR620101	(6) M39029/58-363	BLACK / A	SQR620100	SQR620250 SQR620550	
SQR620100	NONE				

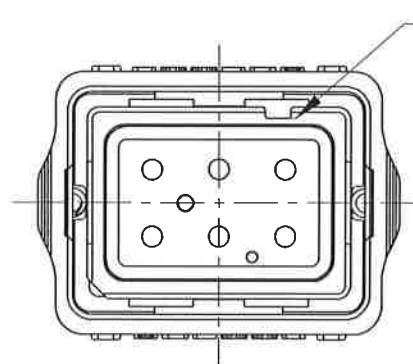
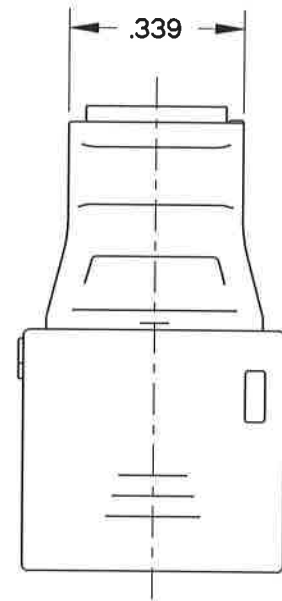
REV	ECN	APP'D
-	7845	JW 12/28/16



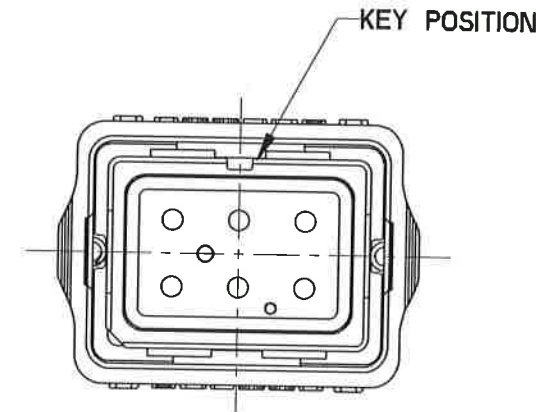
GROMMET MARKING
COLOR: CONTRASTING



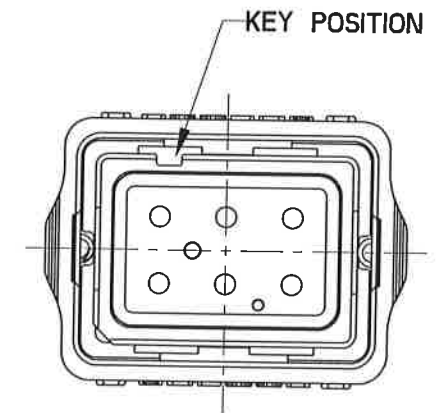
P/N MARKING
SEE TABLE I
COLOR: CONTRASTING
DATE CODE



KEY POSITION



KEY B: SQR620110



KEY C: SQR620120

NOTES:

- MATERIALS:
OUTER HOUSING: POLYETHERIMIDE
INNER HOUSING: POLYETHERIMIDE
CONTACT RETAINER: STAINLESS STEEL
COUPLING NUT: PA6/6
COMPRESSION SPRING: STAINLESS STEEL
GROMMET&FACE SEAL: SILICONE RUBBER PER A-A-59588
- PART ACCEPTS M39029/58-363 CONTACTS
- WEIGHT: 3.5g

KEY A: SQR620100

DIMENSIONS ANSI Y14.5M UNITS: INCHES Pro/E FILE	TOLERANCES .XX ±0.01 .XXX ±0.005 ANGLES ±0.5°	PROJECTION 	Amphenol Pcd SPECIFICATION DRAWING ENGR TONY.CHEN Apr-05-16	TITLE 6 POS SIZE 20 PLUG WITH PIN CONTACTS SQR SIZE 2
ORIGINAL	THIS DOCUMENT CONTAINS PROPRIETARY INFORMATION WHICH IS THE CONFIDENTIAL PROPERTY OF AMPHENOL PCD INC., BEVERLY, MA	CHKD <i>Willie</i> Jan 12/28/16	APPD <i>Jason</i> 12/28/16	SIZE B
CODE: 58982			DWG NO. SQR620100	REV -
SCALE: 8:3		SHEET 1 OF 1		

SQR620100

SQR620100