



Chipsmall Limited consists of a professional team with an average of over 10 year of expertise in the distribution of electronic components. Based in Hongkong, we have already established firm and mutual-benefit business relationships with customers from,Europe,America and south Asia,supplying obsolete and hard-to-find components to meet their specific needs.

With the principle of “Quality Parts,Customers Priority,Honest Operation,and Considerate Service”,our business mainly focus on the distribution of electronic components. Line cards we deal with include Microchip,ALPS,ROHM,Xilinx,Pulse,ON,Everlight and Freescale. Main products comprise IC,Modules,Potentiometer,IC Socket,Relay,Connector.Our parts cover such applications as commercial,industrial, and automotives areas.

We are looking forward to setting up business relationship with you and hope to provide you with the best service and solution. Let us make a better world for our industry!



Contact us

Tel: +86-755-8981 8866 Fax: +86-755-8427 6832

Email & Skype: info@chipsmall.com Web: www.chipsmall.com

Address: A1208, Overseas Decoration Building, #122 Zhenhua RD., Futian, Shenzhen, China

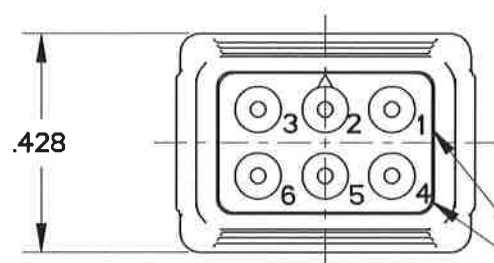


SQR620250

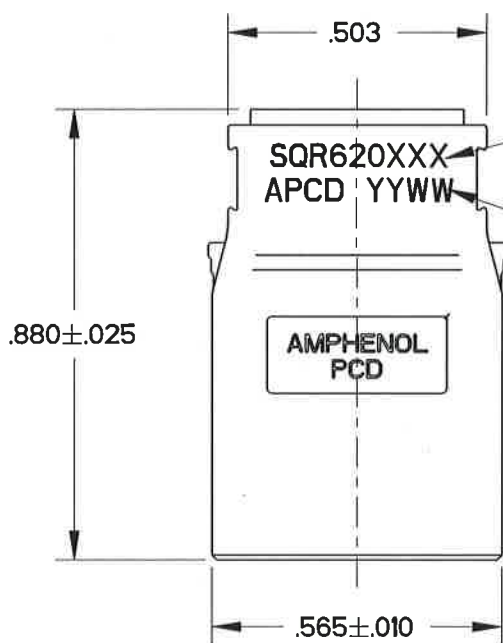
TABLE I - PART NUMBER SCHEME

APCD P/N	CONTACTS SUPPLIED	COLOR / KEY	P/N MARKING	PART MATES WITH
SQR620271	(6) M39029/57-357	WHITE / C	SQR620270	SQR620120
SQR620270	NONE			
SQR620261	(6) M39029/57-357	GREEN / B	SQR620260	SQR620110
SQR620260	NONE			
SQR620251	(6) M39029/57-357	BLACK / A	SQR620250	SQR620100
SQR620250	NONE			

REV	ECN	APP'D
-	7845	JT 12/28/16

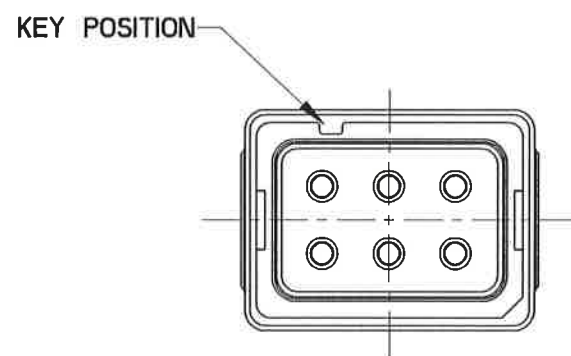
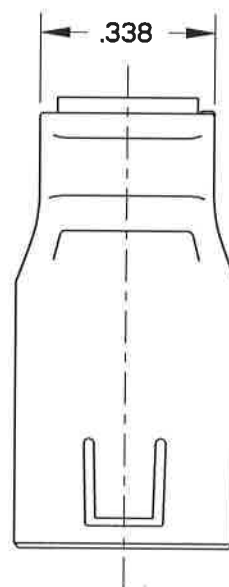


GROMMET MARKING
COLOR: CONTRASTING

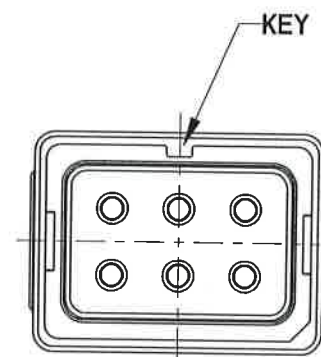


P/N MARKING
SEE TABLE I
COLOR: CONTRASTING

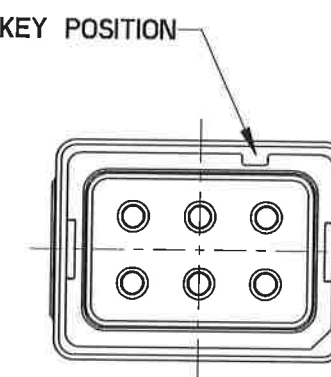
DATE CODE



KEY A: SQR620250



KEY B: SQR620260



KEY C: SQR620270

NOTES:

- MATERIALS:
OUTER HOUSING: POLYETHERIMIDE
INNER HOUSING: POLYETHERIMIDE
CONTACT RETAINER: STAINLESS STEEL
GROMMET: SILICONE RUBBER PER A-A-59588
- PART ACCEPTS M39029/57-357 CONTACTS
- WEIGHT: 3.0g

DIMENSIONS ANSI Y14.5M UNITS: INCHES Pro/E FILE	TOLERANCES .XX ±0.01 .XXX ±0.005 ANGLES ±2.0°	PROJECTION 	Amphenol Pcd SPECIFICATION DRAWING		TITLE 6 POS SIZE 20 RECEPTACLE WITH SOCKET CONTACTS SQR SIZE 2		
			ENGR TONY.CHEN Apr-05-16	CHKD <i>William</i> 12/28/16	APPD <i>John</i> 12/28/16	SIZE B	DWG NO. SQR620250
ORIGINAL	THIS DOCUMENT CONTAINS PROPRIETARY INFORMATION WHICH IS THE CONFIDENTIAL PROPERTY OF AMPHENOL PCD INC., BEVERLY, MA			CODE: 58982	SCALE: 8:3	SHEET 1 OF 1	

SQR620250

SQR620250