



Chipsmall Limited consists of a professional team with an average of over 10 year of expertise in the distribution of electronic components. Based in Hongkong, we have already established firm and mutual-benefit business relationships with customers from,Europe,America and south Asia,supplying obsolete and hard-to-find components to meet their specific needs.

With the principle of “Quality Parts,Customers Priority,Honest Operation,and Considerate Service”,our business mainly focus on the distribution of electronic components. Line cards we deal with include Microchip,ALPS,ROHM,Xilinx,Pulse,ON,Everlight and Freescale. Main products comprise IC,Modules,Potentiometer,IC Socket,Relay,Connector.Our parts cover such applications as commercial,industrial, and automotives areas.

We are looking forward to setting up business relationship with you and hope to provide you with the best service and solution. Let us make a better world for our industry!



Contact us

Tel: +86-755-8981 8866 Fax: +86-755-8427 6832

Email & Skype: info@chipsmall.com Web: www.chipsmall.com

Address: A1208, Overseas Decoration Building, #122 Zhenhua RD., Futian, Shenzhen, China

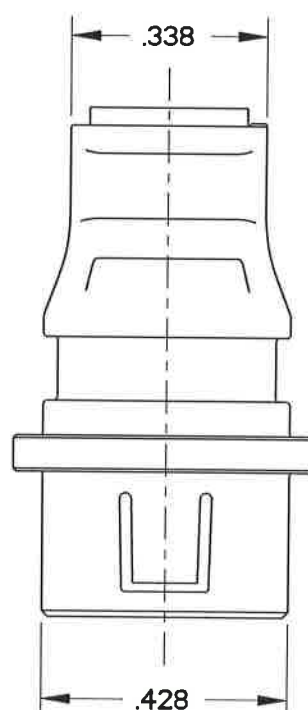
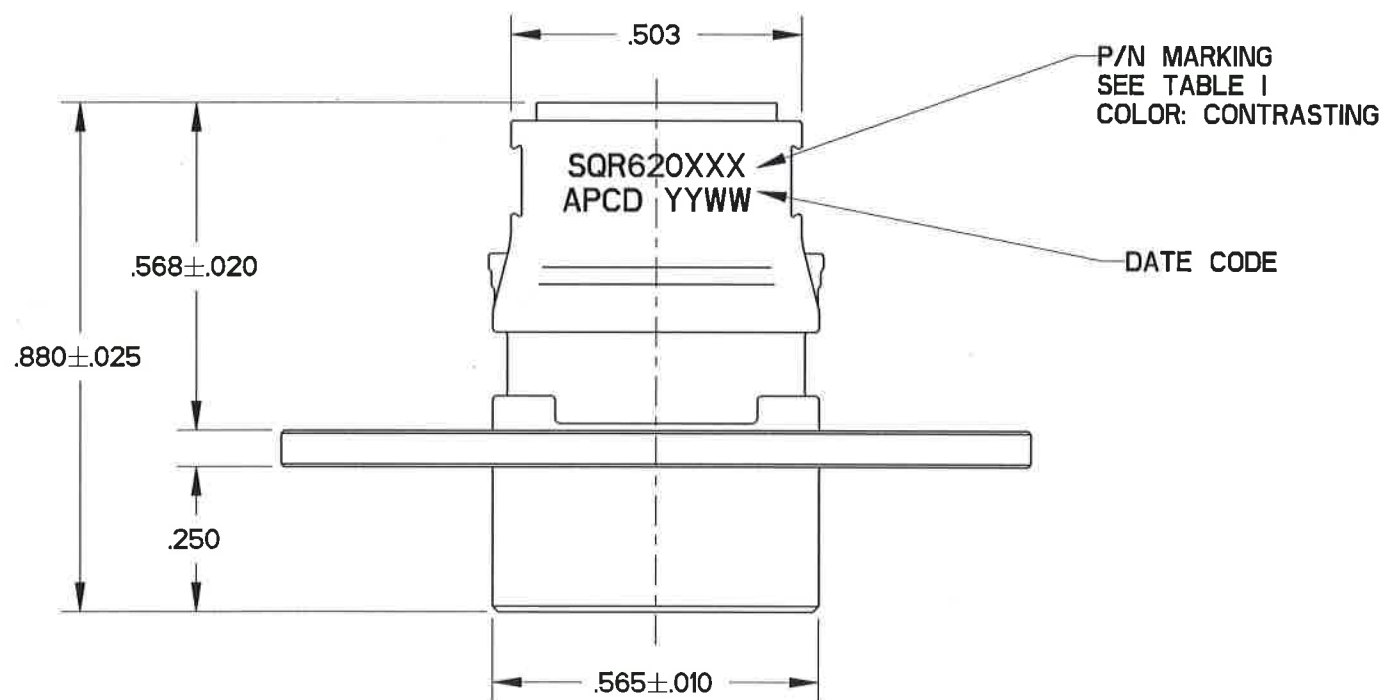
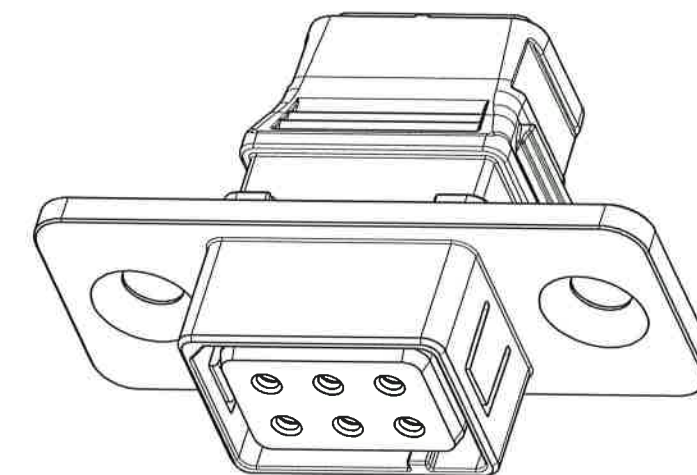
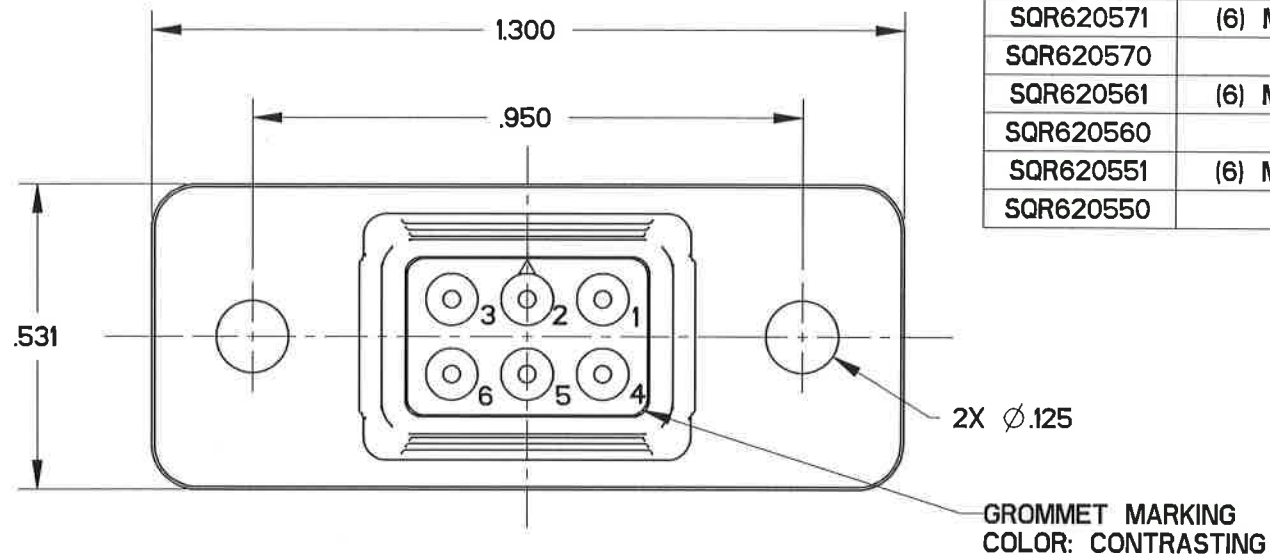


SQR620550

TABLE I - PART NUMBER SCHEME

APCD P/N	CONTACTS SUPPLIED	COLOR / KEY	P/N MARKING	PART MATES WITH
SQR620571	(6) M39029/57-357	WHITE / C	SQR620570	SQR620120
SQR620570	NONE			
SQR620561	(6) M39029/57-357	GREEN / B	SQR620560	SQR620110
SQR620560	NONE			
SQR620551	(6) M39029/57-357	BLACK / A	SQR620550	SQR620100
SQR620550	NONE			

REV	ECN	APP'D
-	7845	J 12/28/16



NOTES:

- MATERIALS:
 OUTER HOUSING: POLYETHERIMIDE
 INNER HOUSING: POLYETHERIMIDE
 CONTACT RETAINER: STAINLESS STEEL
 GROMMET: SILICONE RUBBER PER A-A-59588
- PART ACCEPTS M39029/57-357 CONTACTS
- WEIGHT: 3.5g

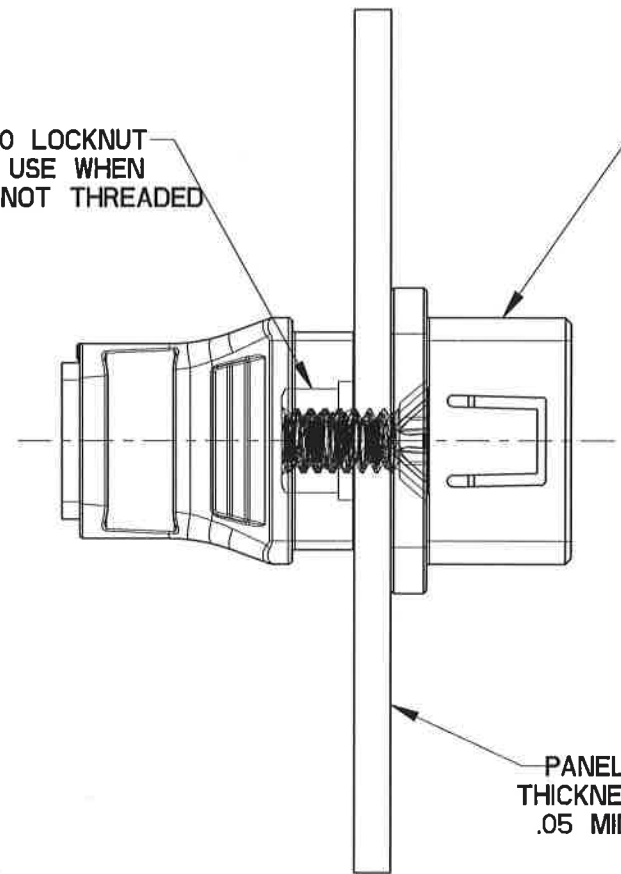
DIMENSIONS	TOLERANCES	PROJECTION	Amphenol Pcd SPECIFICATION DRAWING		TITLE 6 POS SIZE 22 RECEPTACLE FLANGE WITH SOCKET CONTACTS SQR SIZE 2 WITH FLANGE		
ANSI Y14.5M UNITS: INCHES Pro/E FILE	.XX ±0.01 .XXX ±0.005 ANGLES ±2.0°		ENGR TONY.CHEN	Apr-05-16	SIZE B	DWG NO. SQR620550	REV -
ORIGINAL	THIS DOCUMENT CONTAINS PROPRIETARY INFORMATION WHICH IS THE CONFIDENTIAL PROPERTY OF AMPHENOL PCD INC., BEVERLY, MA		CHKD <i>Willie Chen</i> 12/28/16	APPD <i>Steve</i> 12/28/16	CODE: 58982	SCALE: 3:1	SHEET 1 OF 2

SQR620550

SQR620550

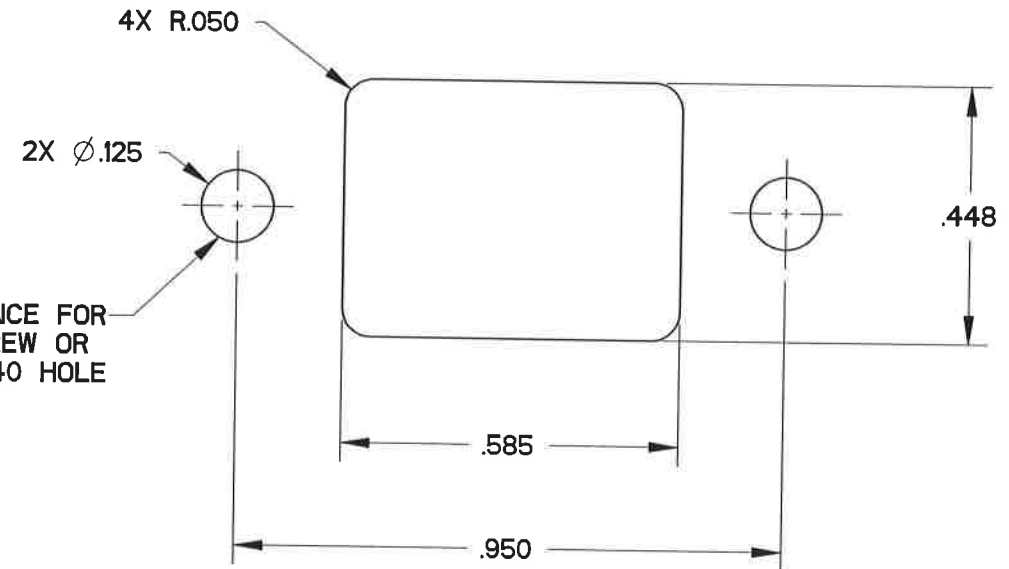
4-40 LOCKNUT
FOR USE WHEN
PANEL NOT THREADED

CONNECTOR MOUNTED
FORWARD OF PANEL



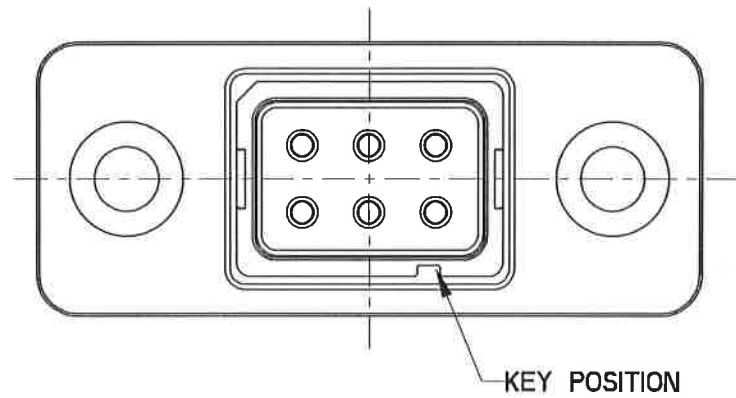
PANEL
THICKNESS
.05 MIN

PANEL MOUNTING RECOMMENDATIONS



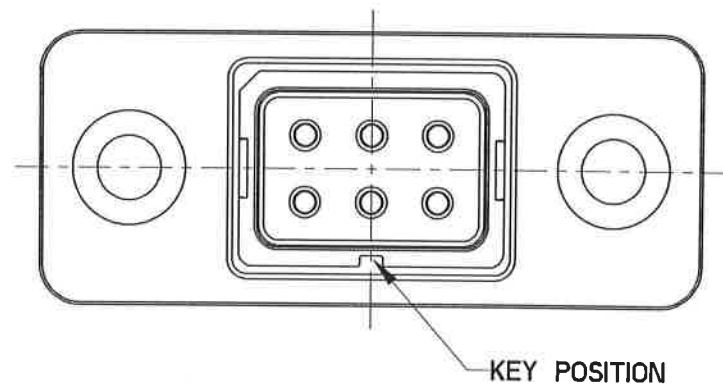
SCALE 3:1

RECOMMENDED PANEL CUT OUT FOR HARDWARE INSTALLATION



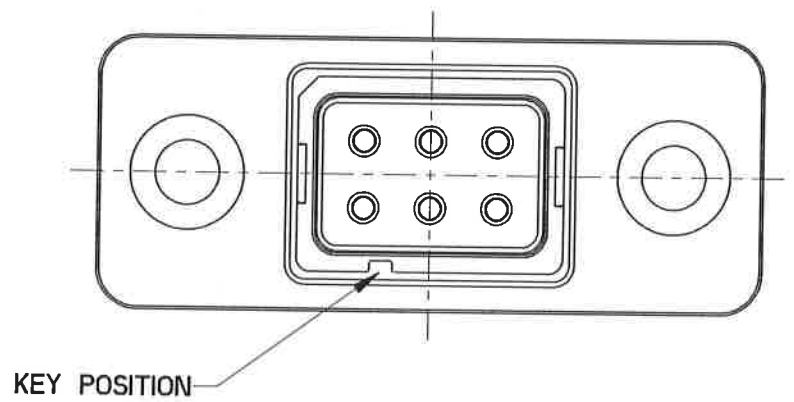
KEY POSITION

KEY A: SQR620550



KEY POSITION

KEY B: SQR620560



KEY POSITION

KEY C: SQR620570

SIZE B	DWG NO. SQR620550	REV -
CODE: 58982	SCALE: 3:1	SHEET 2 OF 2