



Chipsmall Limited consists of a professional team with an average of over 10 year of expertise in the distribution of electronic components. Based in Hongkong, we have already established firm and mutual-benefit business relationships with customers from,Europe,America and south Asia,supplying obsolete and hard-to-find components to meet their specific needs.

With the principle of “Quality Parts,Customers Priority,Honest Operation,and Considerate Service”,our business mainly focus on the distribution of electronic components. Line cards we deal with include Microchip,ALPS,ROHM,Xilinx,Pulse,ON,Everlight and Freescale. Main products comprise IC,Modules,Potentiometer,IC Socket,Relay,Connector.Our parts cover such applications as commercial,industrial, and automotives areas.

We are looking forward to setting up business relationship with you and hope to provide you with the best service and solution. Let us make a better world for our industry!



Contact us

Tel: +86-755-8981 8866 Fax: +86-755-8427 6832

Email & Skype: info@chipsmall.com Web: www.chipsmall.com

Address: A1208, Overseas Decoration Building, #122 Zhenhua RD., Futian, Shenzhen, China

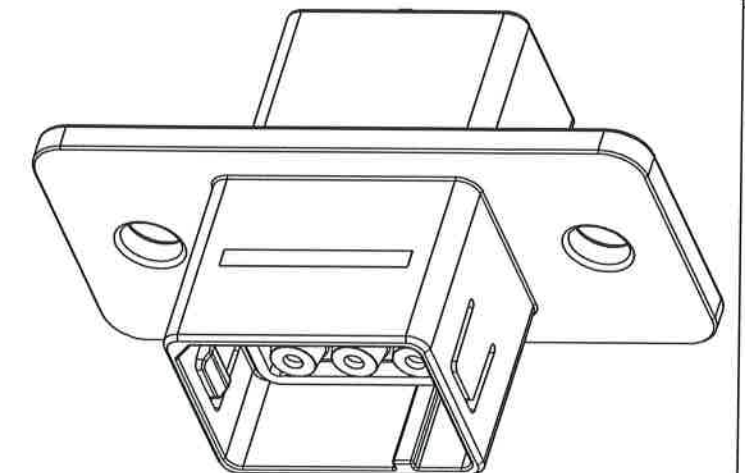
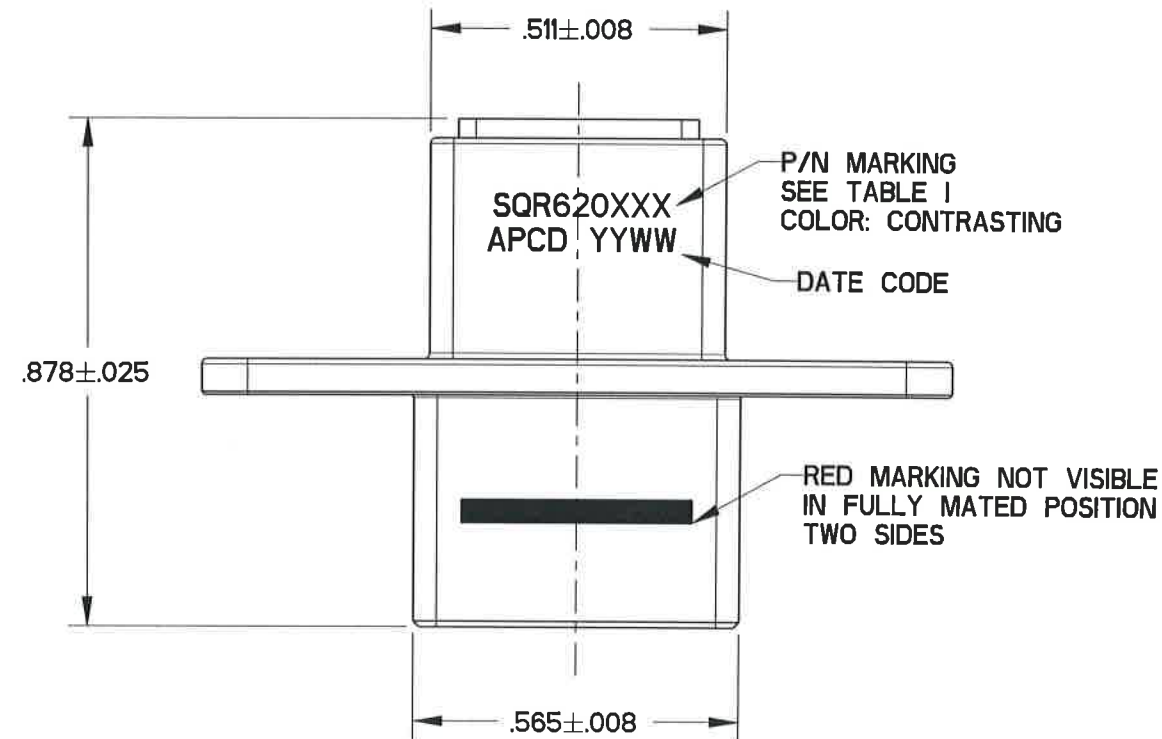
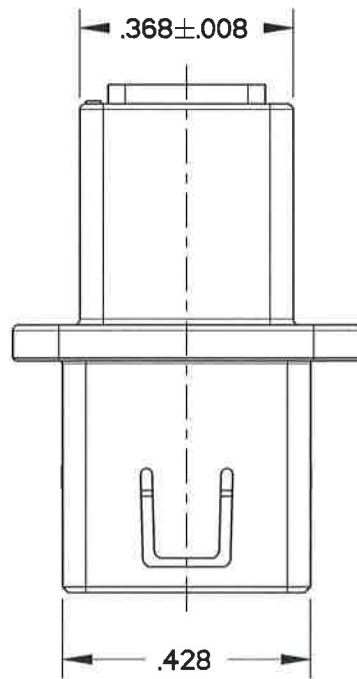
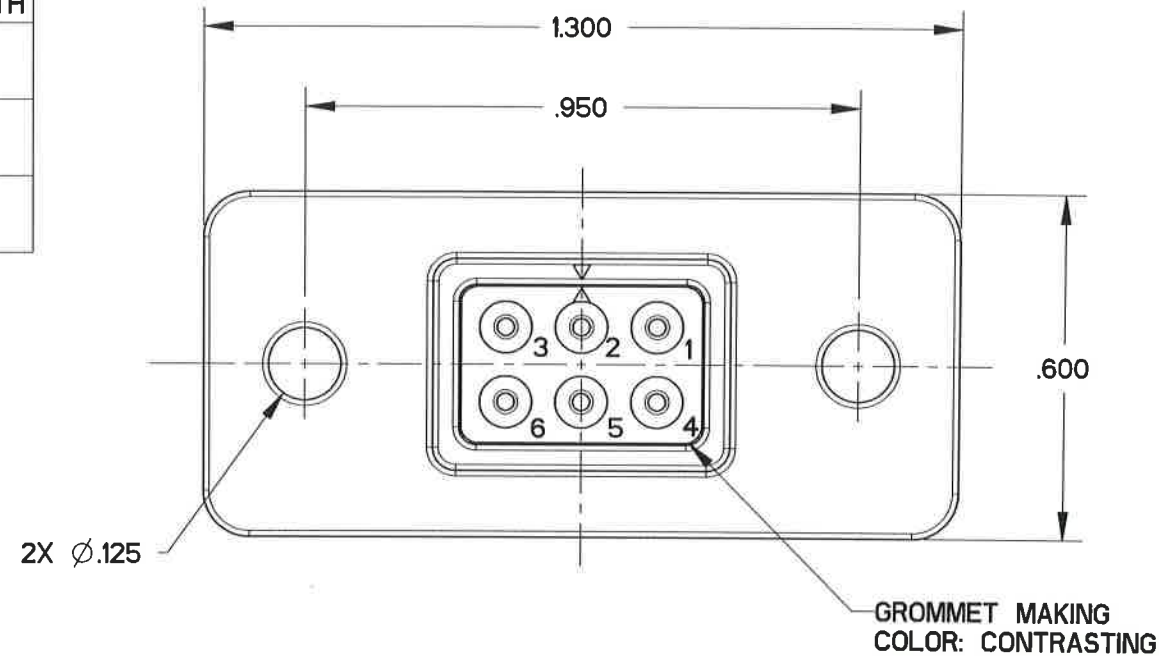


SQR620700

REV	ECN	APP'D
-	8175	WLC 11/10/17

TABLE I - PART NUMBER SCHEME

APCD P/N	CONTACTS SUPPLIED	COLOR / KEY	P/N MARKING	PART MATES WITH
SQR620721	(6) M39029/58-363	WHITE / C	SQR620720	SQR620170
SQR620720	NONE			
SQR620711	(6) M39029/58-363	GREEN / B	SQR620710	SQR620160
SQR620710	NONE			
SQR620701	(6) M39029/58-363	BLACK / A	SQR620700	SQR620150
SQR620700	NONE			



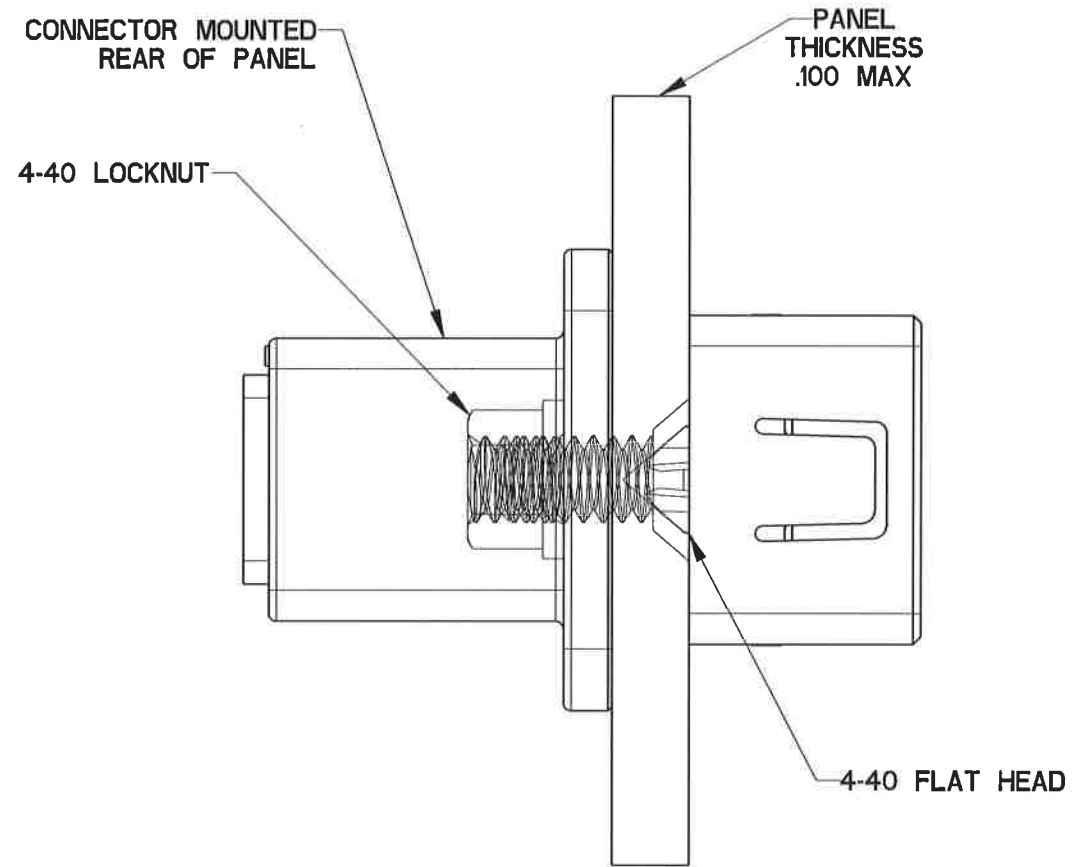
NOTES:

- MATERIALS:
 OUT HOUSING: POLYETHERIMIDE
 INNER HOUSING: POLYETHERIMIDE
 CONTACT RETAINER: STAINLESS STEEL
 GROMMET & FACE SEAL: SILICONE RUBBER PER A-A-59588
- PART ACCEPTS M39029/58-363 CONTACTS
- WEIGHT: 3.5g

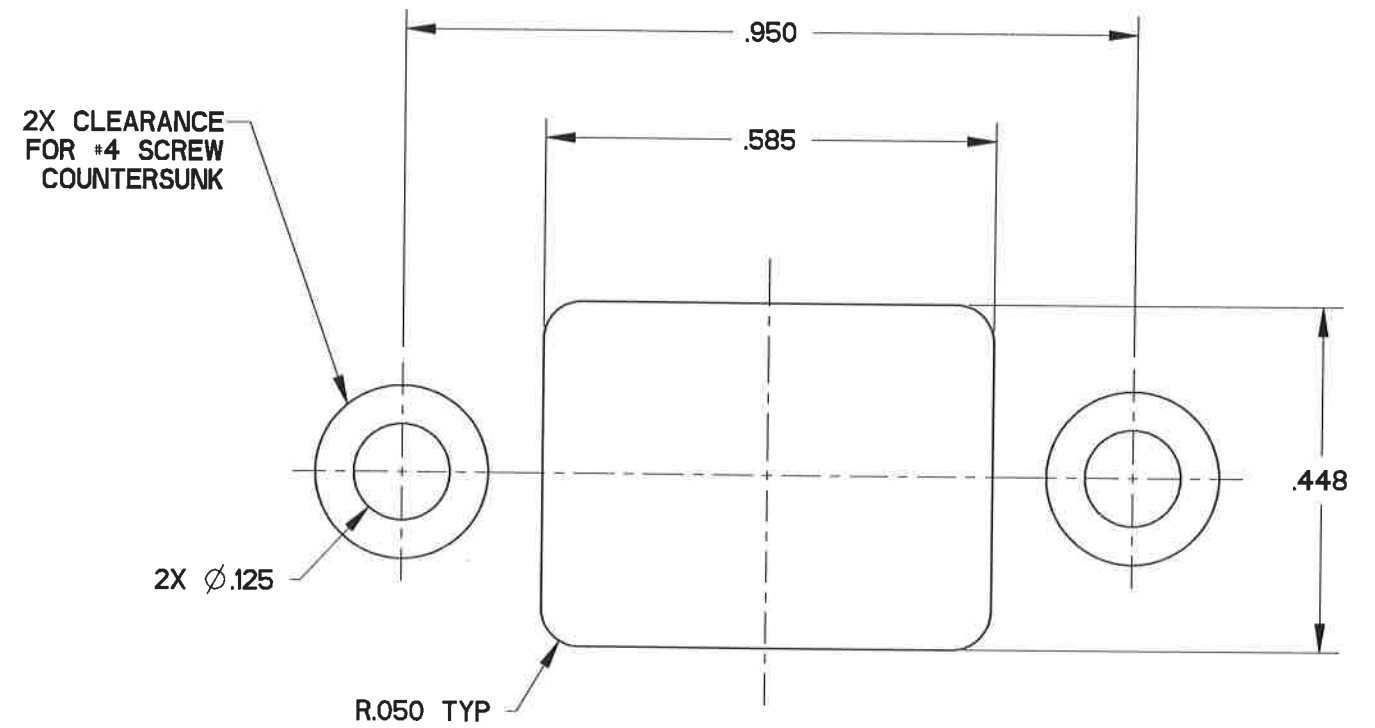
DIMENSIONS	TOLERANCES	PROJECTION	Amphenol Pcd SPECIFICATION DRAWING		TITLE 6 POS SIZE 20 RECEPTACLE FLANGE REAR MOUNT WITH PIN CONTACTS SQR SIZE 2		
ANSI Y14.5M UNITS: INCHES Pro/E FILE	.XX ±0.01 .XXX ±0.005 ANGLES ±2.0°		ENGR MICKEY ZHANG Jun-29-17	CHKD <i>[Signature]</i> 11/10/17	SIZE B	DWG NO. SQR620700	REV -
ORIGINAL	THIS DOCUMENT CONTAINS PROPRIETARY INFORMATION WHICH IS THE CONFIDENTIAL PROPERTY OF AMPHENOL PCD INC., BEVERLY, MA		APPD <i>[Signature]</i> 11/10/17		CODE: 58982	SCALE: 8:3	SHEET 1 OF 2

SQR620700

SQR620700



PANEL MOUNTING RECOMMENDATIONS



RECOMMENDED PANEL CUT OUT FOR HARDWARE INSTALLATION

SIZE	DWG NO.	REV
B	SQR620700	-
CODE: 58982	SCALE: 8:3	SHEET 2 OF 2