



Chipsmall Limited consists of a professional team with an average of over 10 year of expertise in the distribution of electronic components. Based in Hongkong, we have already established firm and mutual-benefit business relationships with customers from,Europe,America and south Asia,supplying obsolete and hard-to-find components to meet their specific needs.

With the principle of "Quality Parts,Customers Priority,Honest Operation,and Considerate Service",our business mainly focus on the distribution of electronic components. Line cards we deal with include Microchip,ALPS,ROHM,Xilinx,Pulse,ON,Everlight and Freescale. Main products comprise IC,Modules,Potentiometer,IC Socket,Relay,Connector.Our parts cover such applications as commercial,industrial, and automotives areas.

We are looking forward to setting up business relationship with you and hope to provide you with the best service and solution. Let us make a better world for our industry!



Contact us

Tel: +86-755-8981 8866 Fax: +86-755-8427 6832

Email & Skype: info@chipsmall.com Web: www.chipsmall.com

Address: A1208, Overseas Decoration Building, #122 Zhenhua RD., Futian, Shenzhen, China

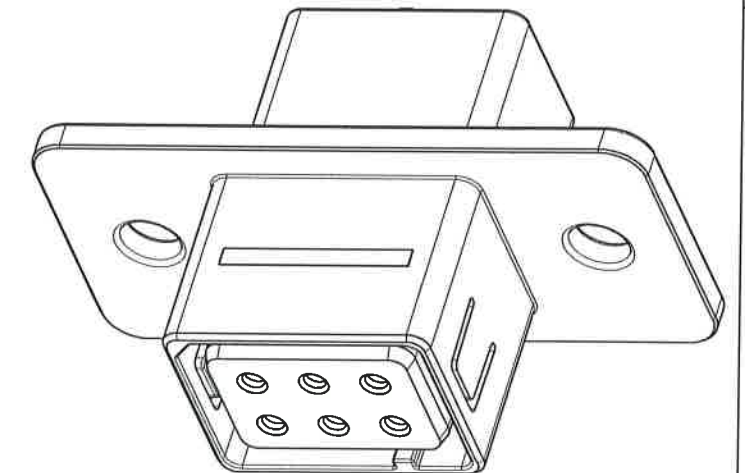
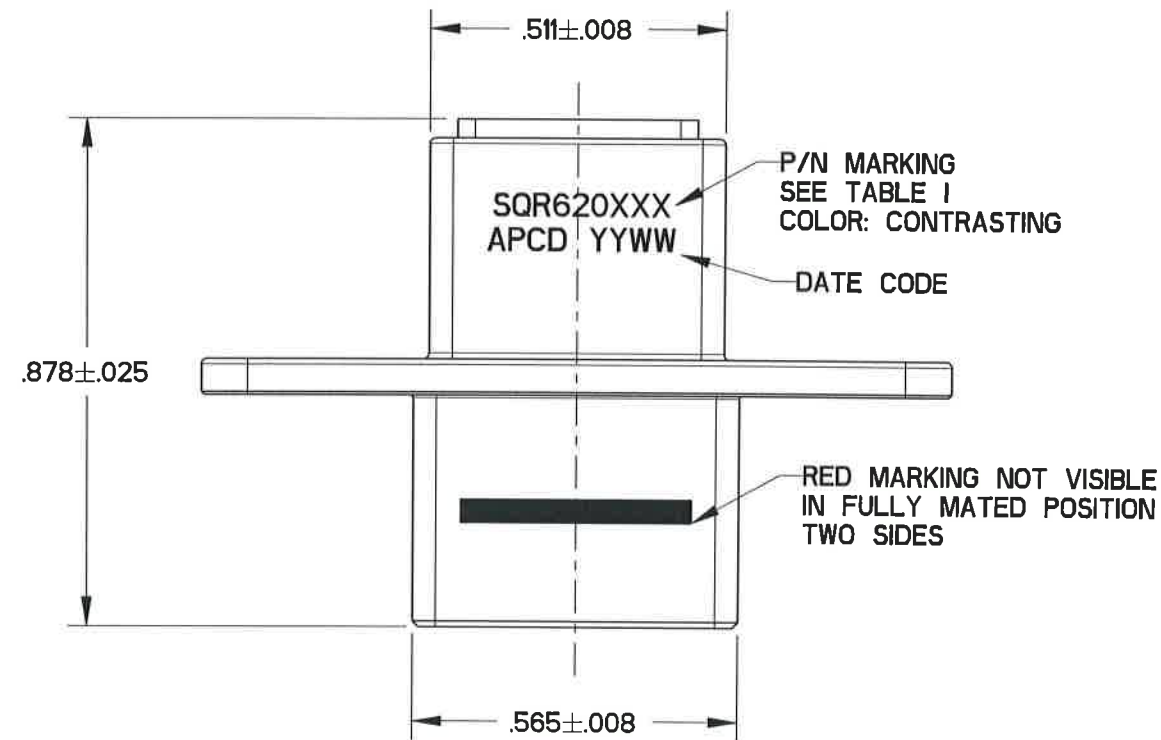
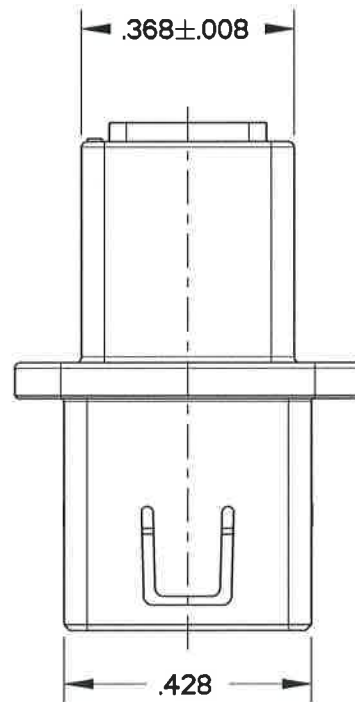
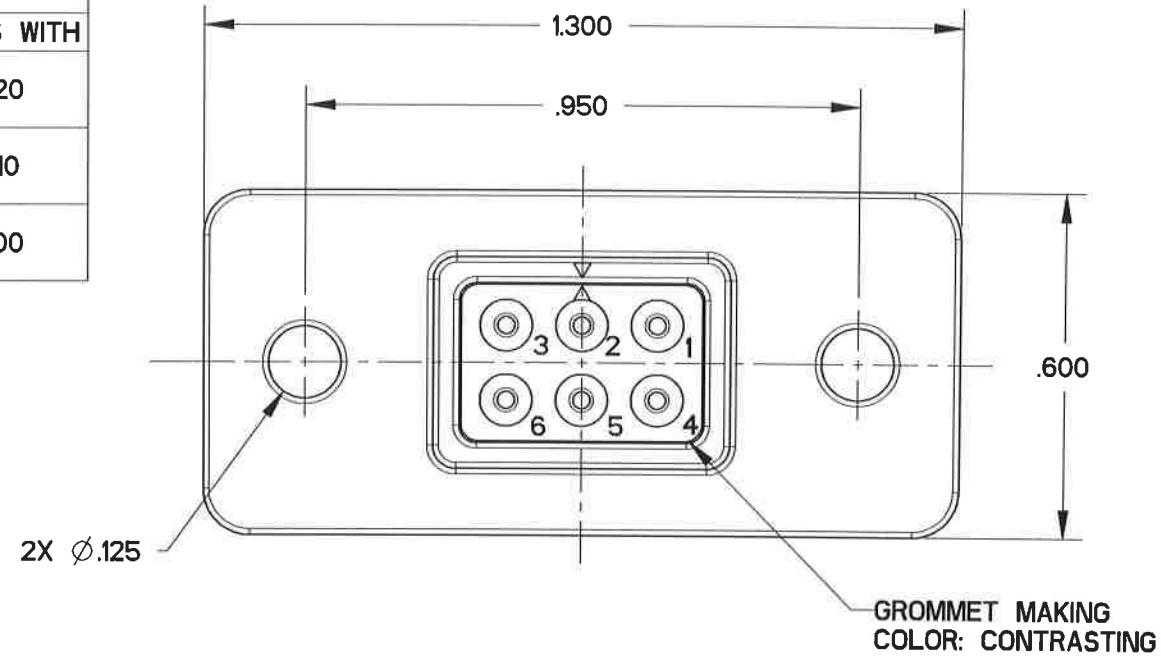


SQR620750

TABLE I - PART NUMBER SCHEME

APCD P/N	CONTACTS SUPPLIED	COLOR / KEY	P/N MARKING	PART MATES WITH
SQR620771	(6) M39029/57-357	WHITE / C	SQR620770	SQR620120
SQR620770	NONE			
SQR620761	(6) M39029/57-357	GREEN / B	SQR620760	SQR620110
SQR620760	NONE			
SQR620751	(6) M39029/57-357	BLACK / A	SQR620750	SQR620100
SQR620750	NONE			

REV	ECN	APP'D
-	8175	WL 11/10/17



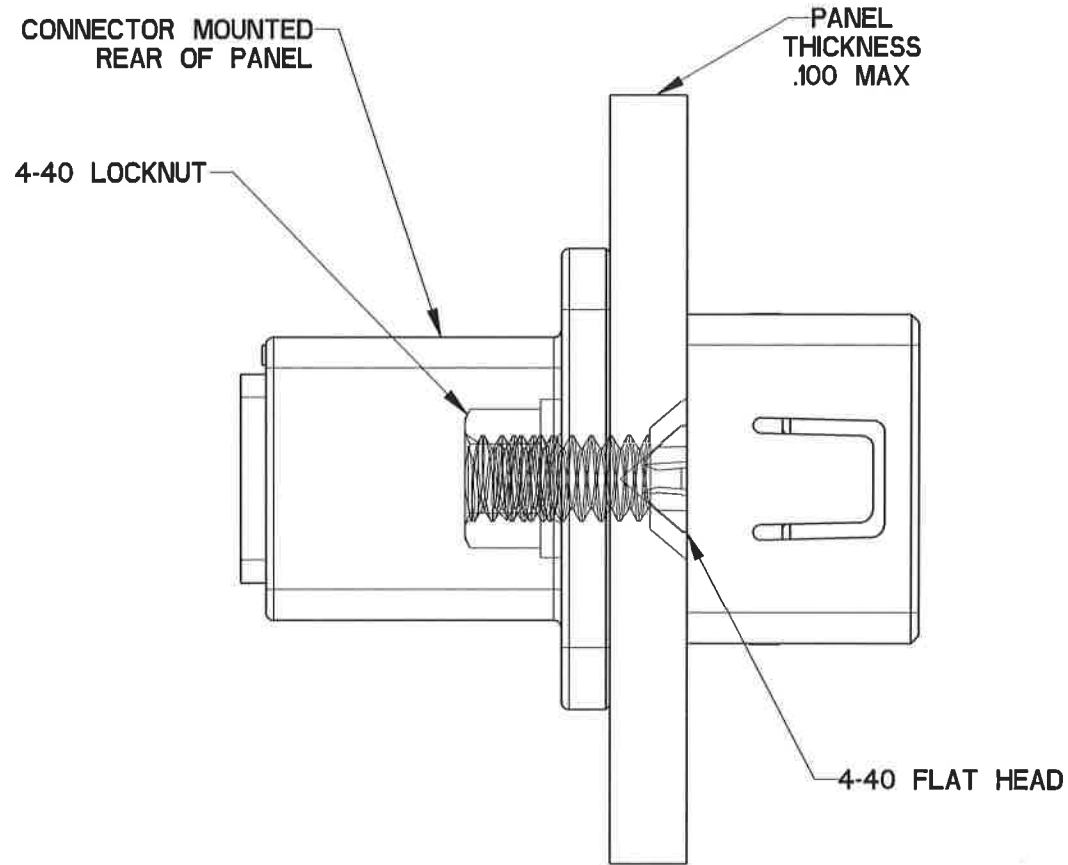
NOTES:

- MATERIALS:
 OUT HOUSING: POLYETHERIMIDE, COLOR: SEE THE TABLE I
 INNER HOUSING: POLYETHERIMIDE, COLOR: BLACK
 CONTACT RETAINER: STAINLESS STEEL
 GROMMET: SILICONE RUBBER PER A-A-59588, COLOR:RED
- PART ACCEPTS M39029/57-357 CONTACTS
- WEIGHT: 3.5g

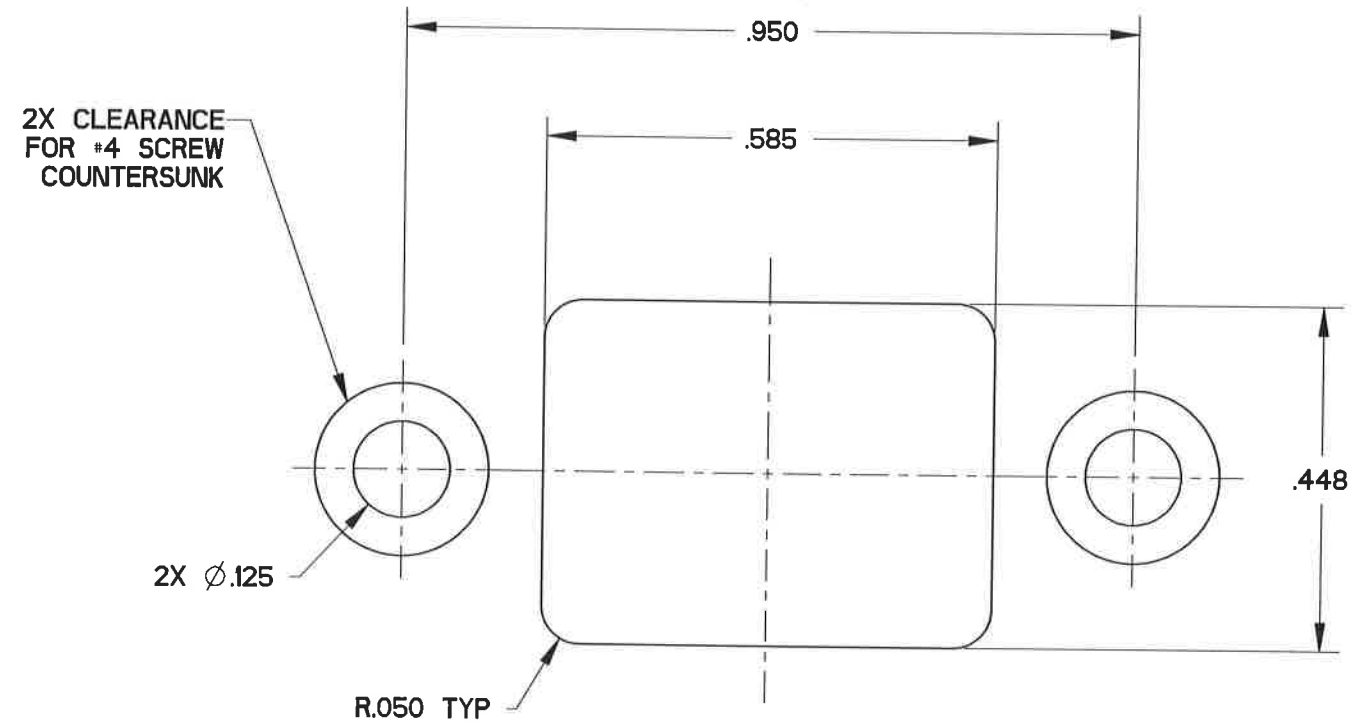
DIMENSIONS	TOLERANCES	PROJECTION	Amphenol Pcd SPECIFICATION DRAWING		TITLE 6 POS SIZE 20 RECEPTACLE FLANGE REAR MOUNT WITH SOCKET CONTACTS SQR SIZE 2		
ANSI Y14.5M UNITS: INCHES Pro/E FILE	.XX ±0.01 .XXX ±0.005 ANGLES ±2.0°		ENGR MICKEY ZHANG Jun-29-17		SIZE B	DWG NO. SQR620750	REV -
ORIGINAL	THIS DOCUMENT CONTAINS PROPRIETARY INFORMATION WHICH IS THE CONFIDENTIAL PROPERTY OF AMPHENOL PCD INC., BEVERLY, MA		CHKD 	11/10/17	CODE: 58982	SCALE: 8:3	SHEET 1 OF 2
			APPD 	11/10/17			

SQR620750

SQR620750



PANEL MOUNTING RECOMMENDATIONS



RECOMMENDED PANEL CUT OUT FOR HARDWARE INSTALLATION

SIZE B	DWG NO. SQR620750	REV -
CODE: 58982	SCALE: 8:3	SHEET 2 OF 2

SQR620750

SQR620750