



Chipsmall Limited consists of a professional team with an average of over 10 year of expertise in the distribution of electronic components. Based in Hongkong, we have already established firm and mutual-benefit business relationships with customers from,Europe,America and south Asia,supplying obsolete and hard-to-find components to meet their specific needs.

With the principle of “Quality Parts,Customers Priority,Honest Operation,and Considerate Service”,our business mainly focus on the distribution of electronic components. Line cards we deal with include Microchip,ALPS,ROHM,Xilinx,Pulse,ON,Everlight and Freescale. Main products comprise IC,Modules,Potentiometer,IC Socket,Relay,Connector.Our parts cover such applications as commercial,industrial, and automotives areas.

We are looking forward to setting up business relationship with you and hope to provide you with the best service and solution. Let us make a better world for our industry!



Contact us

Tel: +86-755-8981 8866 Fax: +86-755-8427 6832

Email & Skype: info@chipsmall.com Web: www.chipsmall.com

Address: A1208, Overseas Decoration Building, #122 Zhenhua RD., Futian, Shenzhen, China

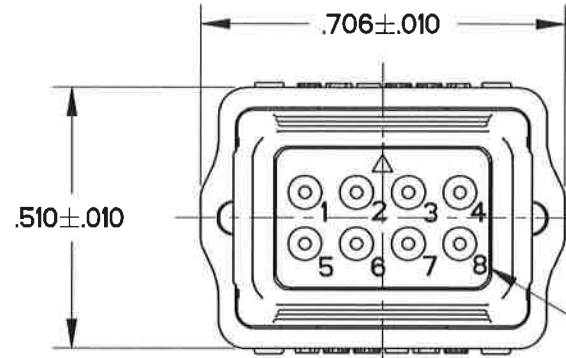


SQR822100

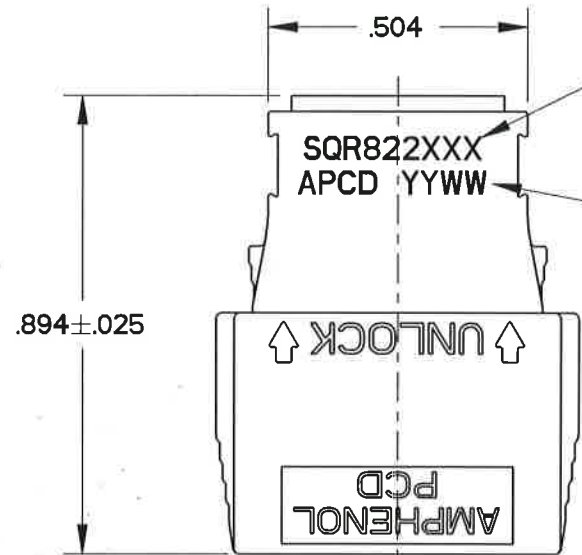
TABLE I - PART NUMBER SCHEME

APCD P/N	CONTACTS SUPPLIED	COLOR / KEY	P/N MARKING	PART MATES WITH	COUPLING NUT COLOR
SQR822121	(8) M39029/58-360	WHITE / C	SQR822120	SQR822270 SQR822570	BLUE
SQR822120	NONE				
SQR822111	(8) M39029/58-360	GREEN / B	SQR822110	SQR822260 SQR822560	
SQR822110	NONE				
SQR822101	(8) M39029/58-360	BLACK / A	SQR822100	SQR822250 SQR822550	
SQR822100	NONE				

REV	ECN	APP'D
-	7845	JT 12/28/16

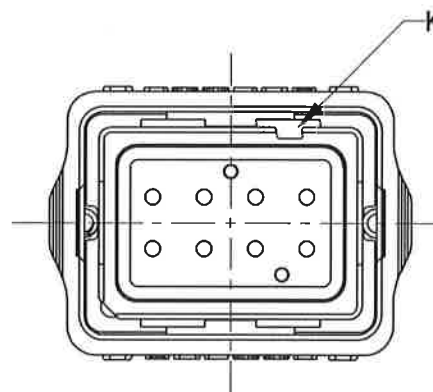
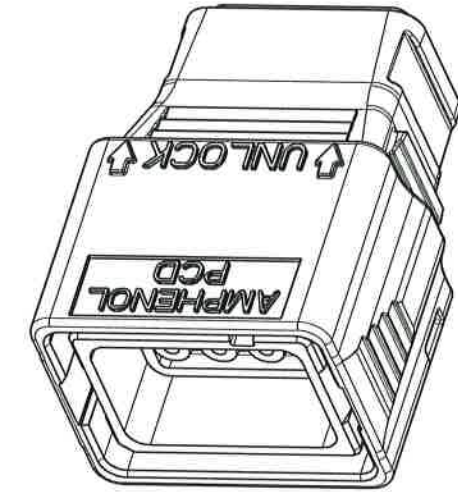
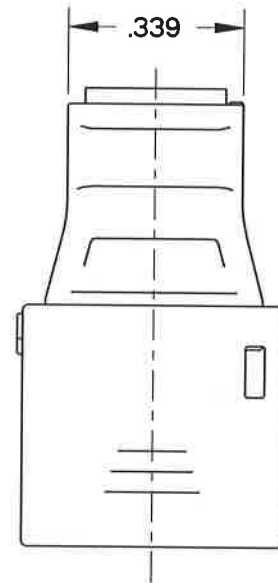


GROMMET MARKING
COLOR: CONTRASTING



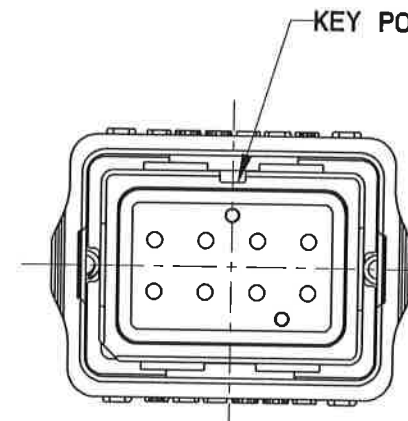
P/N MARKING
SEE TABLE I
COLOR: CONTRASTING

DATE CODE



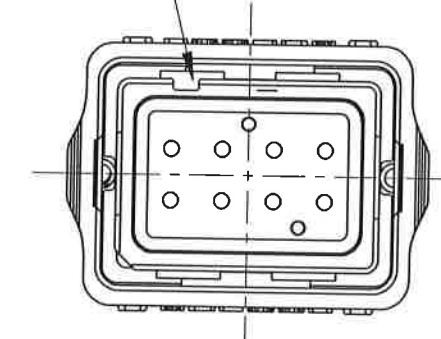
KEY POSITION

KEY A: SQR822100



KEY POSITION

KEY B: SQR822110



KEY POSITION

KEY C: SQR822120

NOTES:

- MATERIALS:
 OUTER HOUSING: POLYETHERIMIDE
 INNER HOUSING: POLYETHERIMIDE
 CONTACT RETAINER: STAINLESS STEEL
 COUPLING NUT: PA6/6
 COMPRESSION SPRING: STAINLESS STEEL
 GROMMET & FACE SEAL: SILICONE RUBBER PER A-A-59588
- PART ACCEPTS M39029/58-360 CONTACTS
- WEIGHT: 3.5g

DIMENSIONS ANSI Y14.5M UNITS: INCHES Pro/E FILE	TOLERANCES .XX ±0.01 .XXX ±0.005 ANGLES ±2.0°	PROJECTION 	Amphenol Pcd SPECIFICATION DRAWING		TITLE 8 POS SIZE 22 PLUG WITH PIN CONTACTS SQR SIZE 2		
			ENGR TONY.CHEN Apr-06-16	CHKD <i>[Signature]</i> 12/28/16	SIZE B	DWG NO. SQR822100	REV -
ORIGINAL	THIS DOCUMENT CONTAINS PROPRIETARY INFORMATION WHICH IS THE CONFIDENTIAL PROPERTY OF AMPHENOL PCD INC., BEVERLY, MA		APPD <i>[Signature]</i> 12/28/16	CODE: 58982	SCALE: 8:3	SHEET 1 OF 1	

SQR822100

SQR822100