



Chipsmall Limited consists of a professional team with an average of over 10 year of expertise in the distribution of electronic components. Based in Hongkong, we have already established firm and mutual-benefit business relationships with customers from,Europe,America and south Asia,supplying obsolete and hard-to-find components to meet their specific needs.

With the principle of “Quality Parts,Customers Priority,Honest Operation,and Considerate Service”,our business mainly focus on the distribution of electronic components. Line cards we deal with include Microchip,ALPS,ROHM,Xilinx,Pulse,ON,Everlight and Freescale. Main products comprise IC,Modules,Potentiometer,IC Socket,Relay,Connector.Our parts cover such applications as commercial,industrial, and automotives areas.

We are looking forward to setting up business relationship with you and hope to provide you with the best service and solution. Let us make a better world for our industry!



Contact us

Tel: +86-755-8981 8866 Fax: +86-755-8427 6832

Email & Skype: info@chipsmall.com Web: www.chipsmall.com

Address: A1208, Overseas Decoration Building, #122 Zhenhua RD., Futian, Shenzhen, China

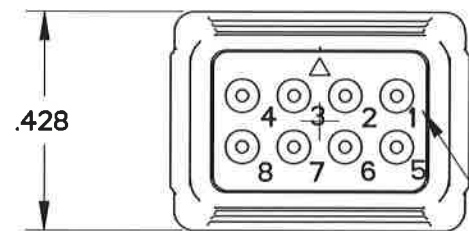


SQR822250

TABLE I - PART NUMBER SCHEME

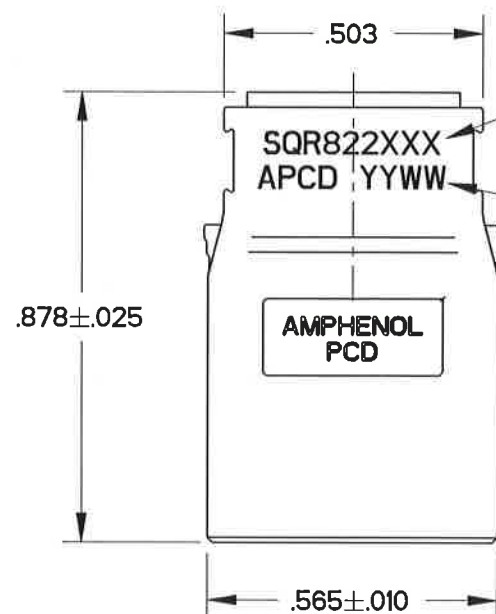
APCD P/N	CONTACTS SUPPLIED	COLOR / KEY	P/N MARKING	PART MATES WITH
SQR822271	(8) M39029/57-354	WHITE / C	SQR822270	SQR822120
SQR822270	NONE			
SQR822261	(8) M39029/57-354	GREEN / B	SQR822260	SQR822110
SQR822260	NONE			
SQR822251	(8) M39029/57-354	BLACK / A	SQR822250	SQR822100
SQR822250	NONE			

REV	ECN	APP'D
-	7845	<i>12/28/16</i>



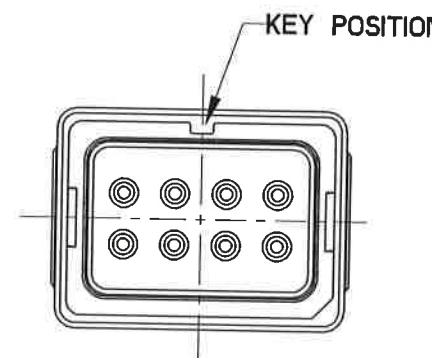
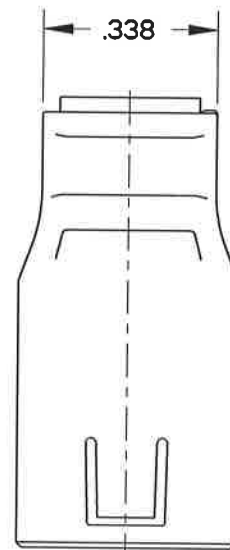
.428

GROMMET MARKING
COLOR: CONTRASTING

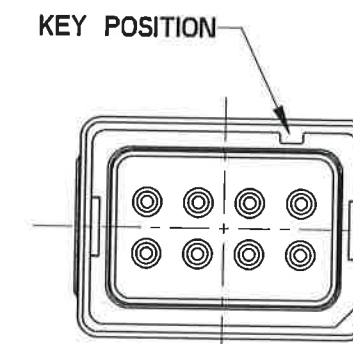


P/N MARKING
SEE TABLE I
COLOR: CONTRASTING

DATE CODE

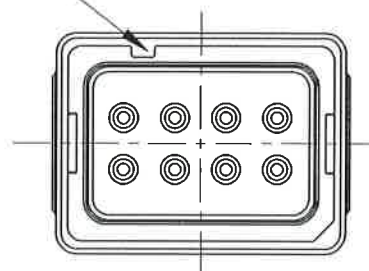


KEY B: SQR822260



KEY C: SQR822270

KEY POSITION



KEY A: SQR822250

NOTES:

- MATERIALS:
 OUTER HOUSING: POLYETHERIMIDE
 INNER HOUSING: POLYETHERIMIDE
 CONTACT RETAINER: STAINLESS STEEL
 GROMMETL: SILICONE RUBBER PER A-A-59588
- PART ACCEPTS M39029/57-354 CONTACTS
- WEIGHT: 2.5g

DIMENSIONS	TOLERANCES	PROJECTION	Amphenol Pcd SPECIFICATION DRAWING		TITLE 8 POS SIZE 22 RECEPTACLE WITH SOCKET CONTACTS SQR SIZE 2		
ANSI Y14.5M UNITS: INCHES Pro/E FILE	.XX ±0.01 .XXX ±0.005 ANGLES ±2.0°		ENGR TONY.CHEN Apr-05-16	CHKD <i>William from 12/28/16</i>	SIZE B	DWG NO. SQR822250	REV -
ORIGINAL	THIS DOCUMENT CONTAINS PROPRIETARY INFORMATION WHICH IS THE CONFIDENTIAL PROPERTY OF AMPHENOL PCD INC., BEVERLY, MA		APPD <i>Starr 12/28/16</i>		CODE: 58982	SCALE: 8:3	SHEET 1 OF 1

SQR822250

SQR822250