



Chipsmall Limited consists of a professional team with an average of over 10 year of expertise in the distribution of electronic components. Based in Hongkong, we have already established firm and mutual-benefit business relationships with customers from,Europe,America and south Asia,supplying obsolete and hard-to-find components to meet their specific needs.

With the principle of “Quality Parts,Customers Priority,Honest Operation,and Considerate Service”,our business mainly focus on the distribution of electronic components. Line cards we deal with include Microchip,ALPS,ROHM,Xilinx,Pulse,ON,Everlight and Freescale. Main products comprise IC,Modules,Potentiometer,IC Socket,Relay,Connector.Our parts cover such applications as commercial,industrial, and automotives areas.

We are looking forward to setting up business relationship with you and hope to provide you with the best service and solution. Let us make a better world for our industry!



Contact us

Tel: +86-755-8981 8866 Fax: +86-755-8427 6832

Email & Skype: info@chipsmall.com Web: www.chipsmall.com

Address: A1208, Overseas Decoration Building, #122 Zhenhua RD., Futian, Shenzhen, China

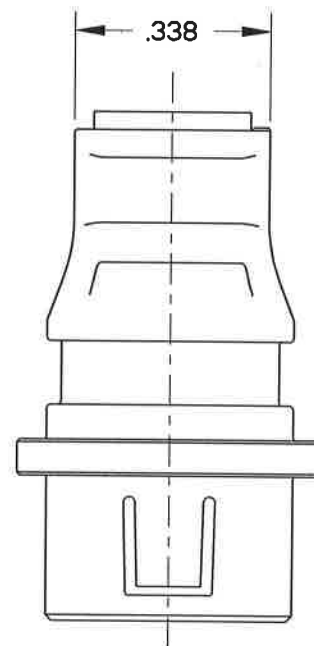
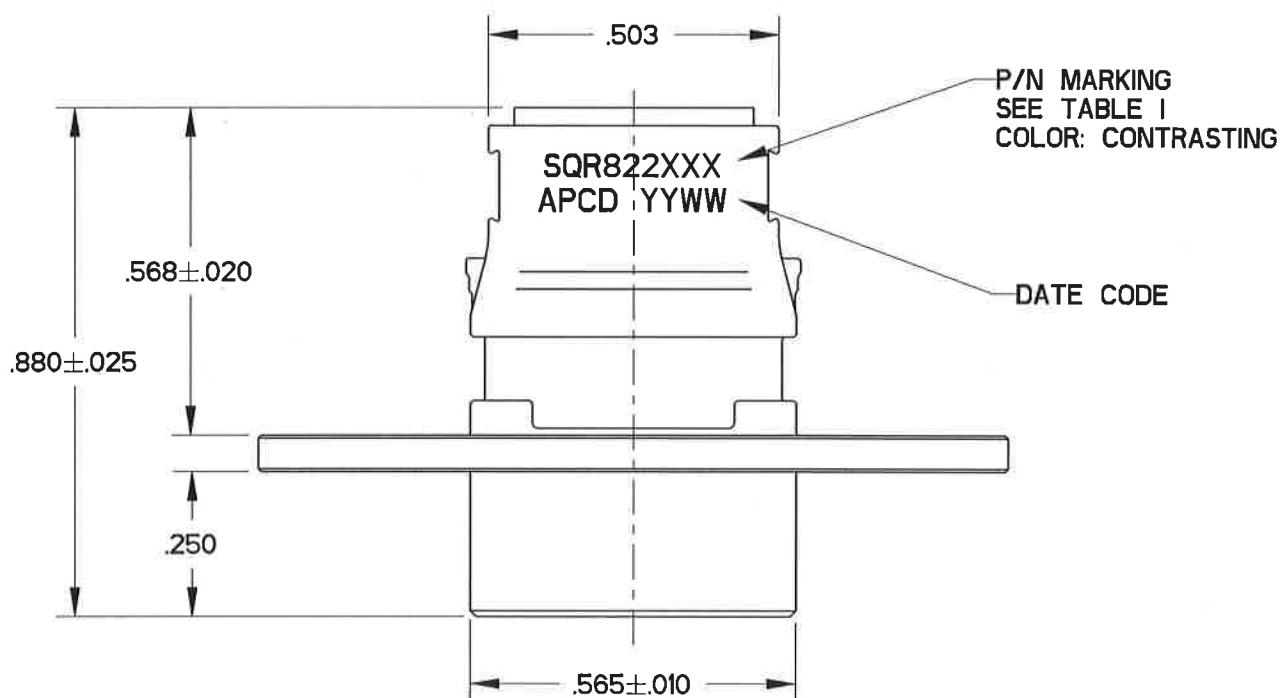
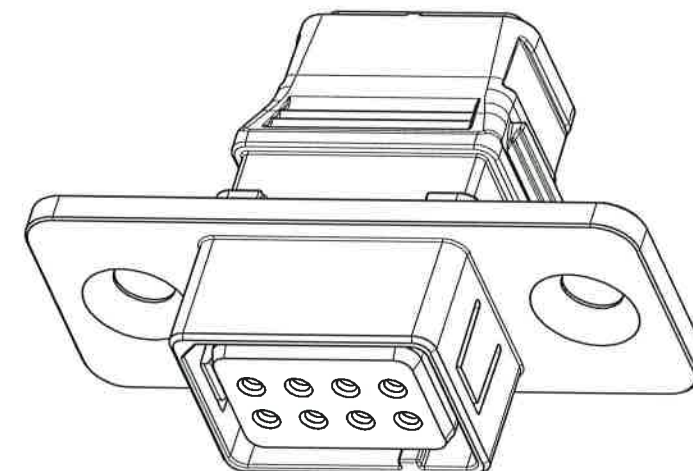
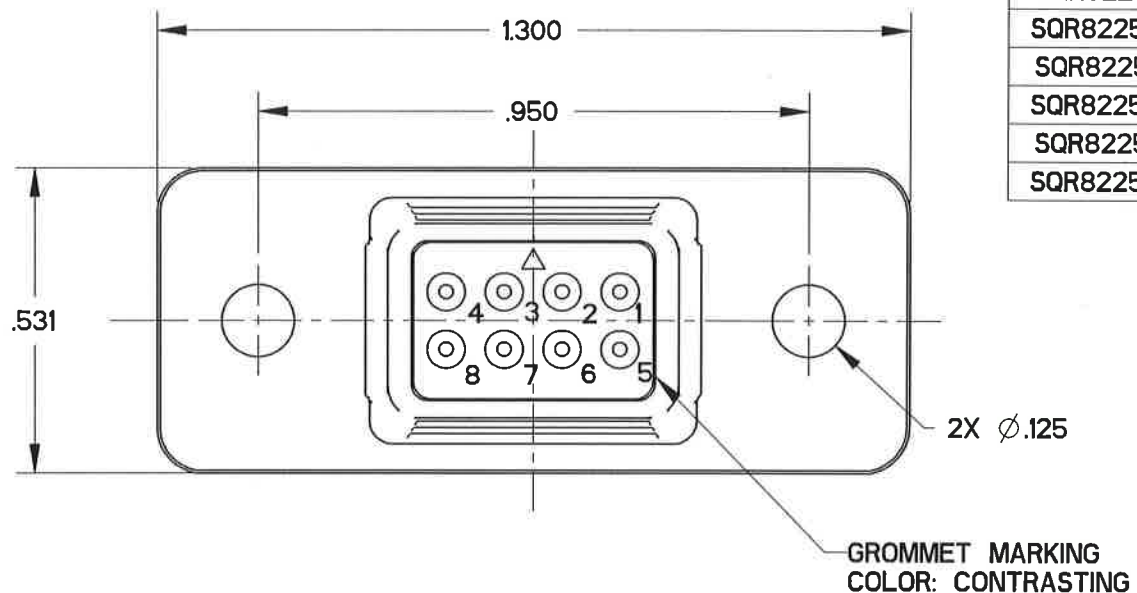


SQR822550

TABLE I - PART NUMBER SCHEME

APCD P/N	CONTACTS SUPPLIED	COLOR / KEY	P/N MARKING	PART MATES WITH
SQR822571	(8) M39029/57-354	WHITE / C	SQR822570	SQR822120
SQR822570	NONE			
SQR822561	(8) M39029/57-354	GREEN / B	SQR822560	SQR822110
SQR822560	NONE			
SQR822551	(8) M39029/57-354	BLACK / A	SQR822550	SQR822100
SQR822550	NONE			

REV	ECN	APP'D
-	7845	<i>12/28/16</i>



NOTES:

- MATERIALS:
 OUT HOUSING: POLYETHERIMIDE
 INNER HOUSING: POLYETHERIMIDE
 CONTACT RETAINER: STAINLESS STEEL
 GROMMET: SILICONE RUBBER PER A-A-59588
- PART ACCEPTS M39029/57-354 CONTACTS
- WEIGHT: 3.5g

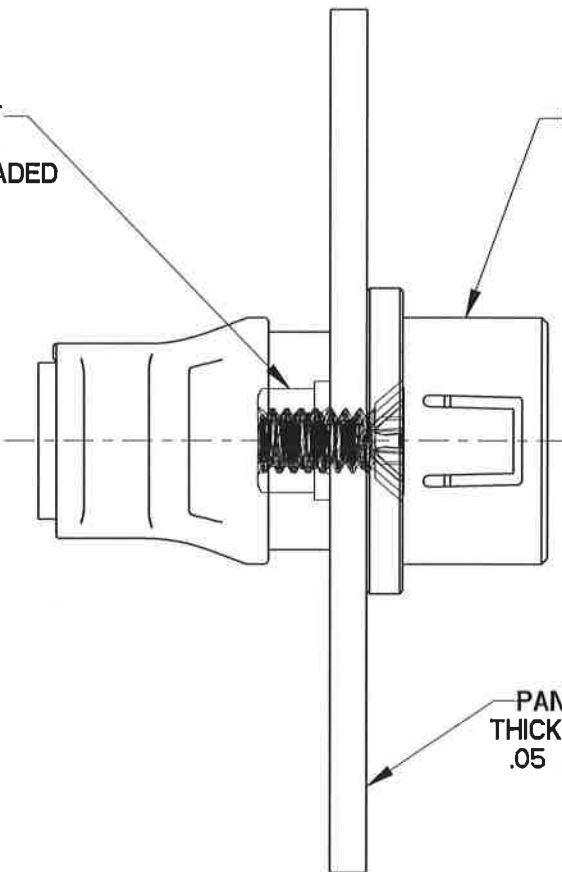
DIMENSIONS ANSI Y14.5M UNITS: INCHES Pro/E FILE	TOLERANCES .XX ±0.01 .XXX ±0.005 ANGLES ±2.0°	PROJECTION 	Amphenol Pcd SPECIFICATION DRAWING		TITLE 8 POS SIZE 22 RECEPTACLE FLANGE WITH SOCKET CONTACTS SQR SIZE 2		
			ENGR TONY.CHEN Apr-06-16	CHKD <i>Willie Low 12/28/16</i>	SIZE B	DWG NO. SQR822550	REV -
ORIGINAL	THIS DOCUMENT CONTAINS PROPRIETARY INFORMATION WHICH IS THE CONFIDENTIAL PROPERTY OF AMPHENOL PCD INC., BEVERLY, MA			APPD <i>Falor 12/28/16</i>	CODE: 58982	SCALE: 3:1	SHEET 1 OF 2

SQR822550

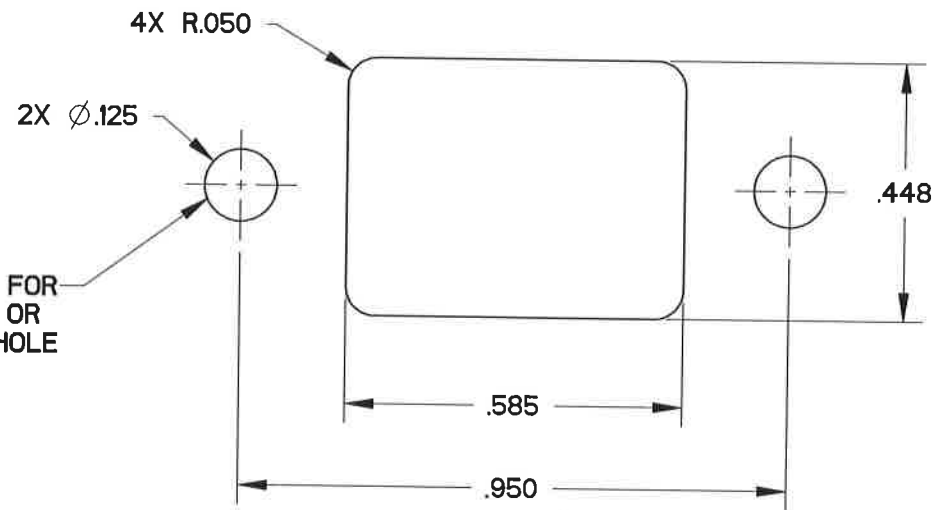
SQR822550

4-40 LOCKNUT
FOR USE WHEN
PANEL NOT THREADED

CONNECTOR MOUNTED
FORWARD OF PANEL



PANEL
THICKNESS
.05 MIN

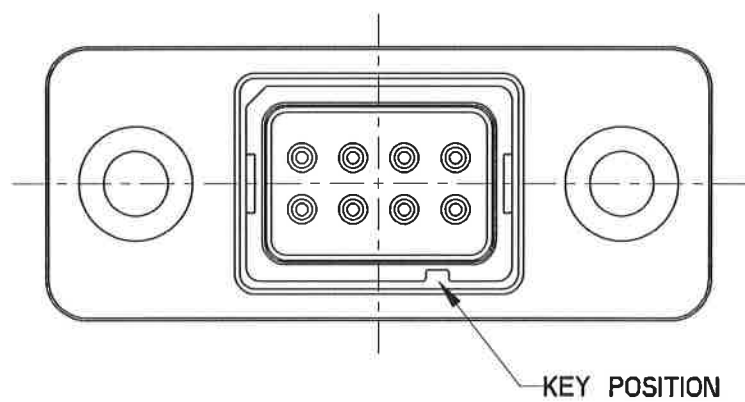


2X CLEARANCE FOR
#4 SCREW OR
TAPPED 4-40 HOLE

SCALE 3:1

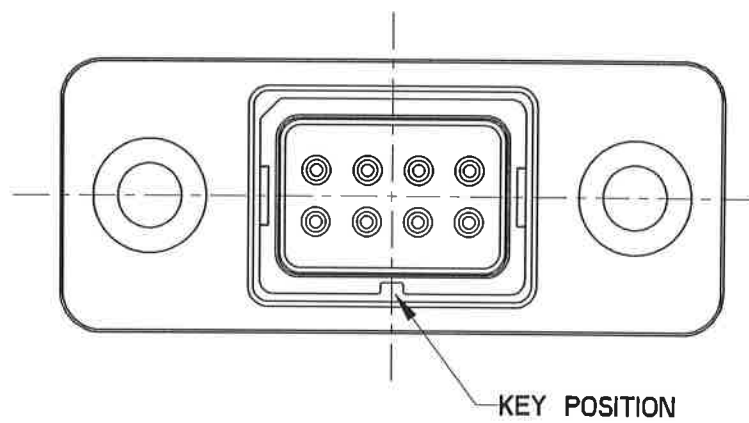
RECOMMENDED PANEL CUT OUT FOR HARDWARE INSTALLATION

PANEL MOUNTING RECOMMENDATIONS



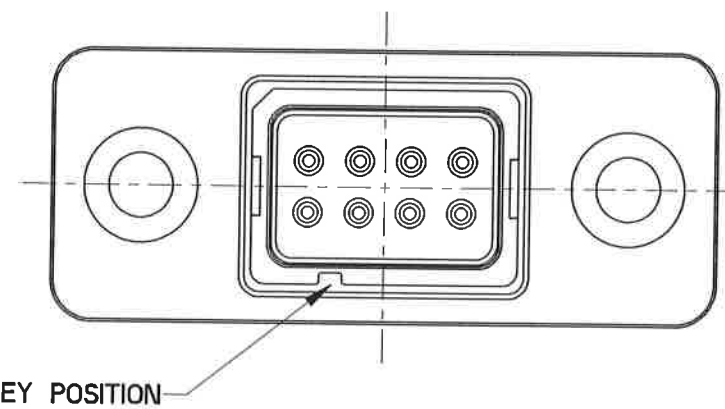
KEY POSITION

KEY A: SQR822550



KEY POSITION

KEY B: SQR822560



KEY POSITION

KEY C: SQR822570

SIZE B	DWG NO. SQR822550	REV -
CODE: 58982	SCALE: 3:1	SHEET 2 OF 2