



Chipsmall Limited consists of a professional team with an average of over 10 year of expertise in the distribution of electronic components. Based in Hongkong, we have already established firm and mutual-benefit business relationships with customers from,Europe,America and south Asia,supplying obsolete and hard-to-find components to meet their specific needs.

With the principle of “Quality Parts,Customers Priority,Honest Operation,and Considerate Service”,our business mainly focus on the distribution of electronic components. Line cards we deal with include Microchip,ALPS,ROHM,Xilinx,Pulse,ON,Everlight and Freescale. Main products comprise IC,Modules,Potentiometer,IC Socket,Relay,Connector.Our parts cover such applications as commercial,industrial, and automotives areas.

We are looking forward to setting up business relationship with you and hope to provide you with the best service and solution. Let us make a better world for our industry!



## Contact us

Tel: +86-755-8981 8866 Fax: +86-755-8427 6832

Email & Skype: info@chipsmall.com Web: www.chipsmall.com

Address: A1208, Overseas Decoration Building, #122 Zhenhua RD., Futian, Shenzhen, China

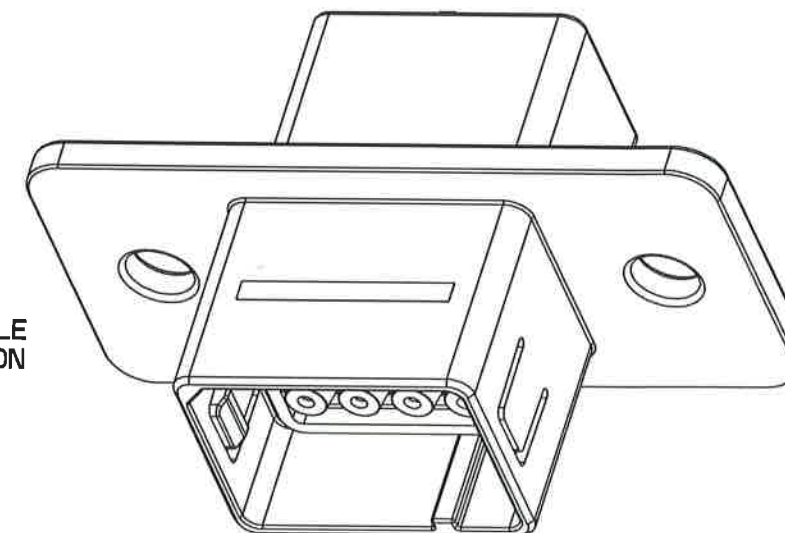
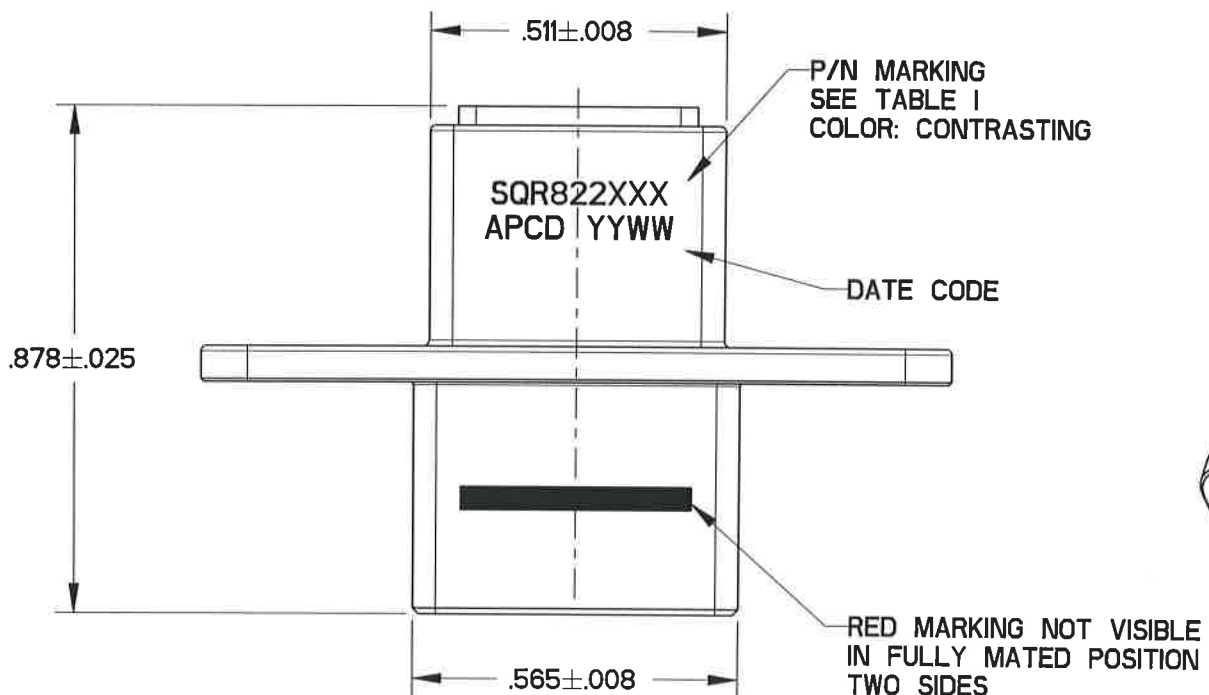
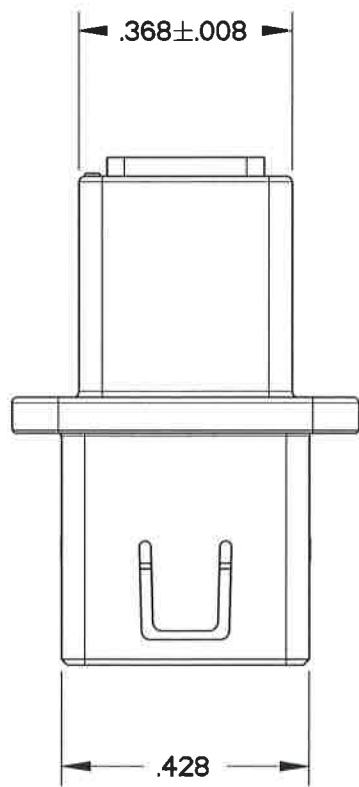
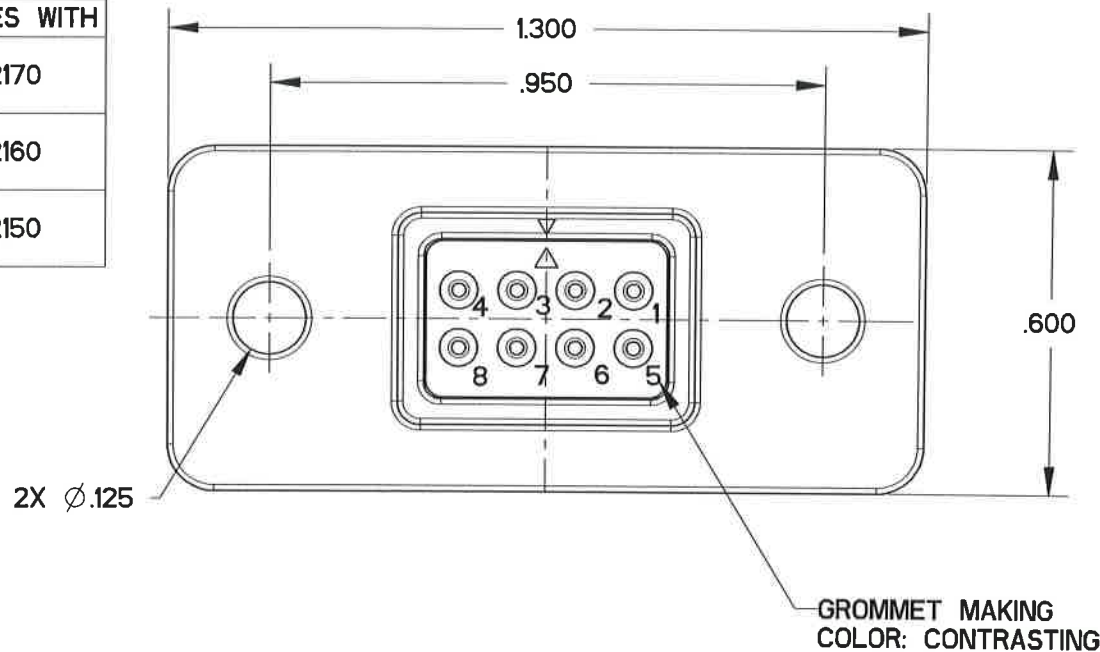


SQR822700

TABLE I - PART NUMBER SCHEME

APCD P/N	CONTACTS SUPPLIED	COLOR / KEY	P/N MARKING	PART MATES WITH
SQR822721	(8) M39029/58-360	WHITE / C	SQR822720	SQR822170
SQR822720	NONE			
SQR822711	(8) M39029/58-360	GREEN / B	SQR822710	SQR822160
SQR822710	NONE			
SQR822701	(8) M39029/58-360	BLACK / A	SQR822700	SQR822150
SQR822700	NONE			

REV	ECN	APP'D
-	8175	WL 11/10/17



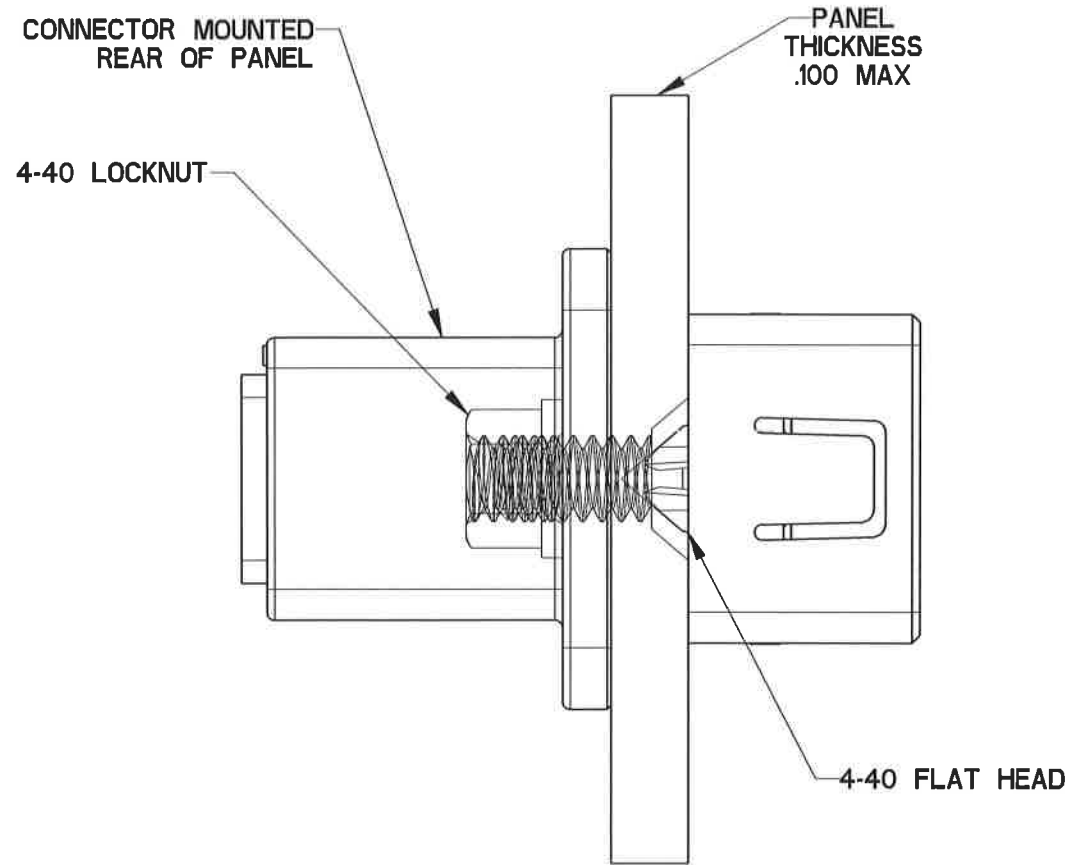
NOTES:

- MATERIALS:  
 OUT HOUSING: POLYETHERIMIDE, COLOR: SEE THE TABLE I  
 INNER HOUSING: POLYETHERIMIDE, COLOR: BLACK  
 CONTACT RETAINER: STAINLESS STEEL  
 GROMMET & FACE SEAL: SILICONE RUBBER PER A-A-59588, COLOR: RED
- PART ACCEPTS M39029/58-360 CONTACTS
- WEIGHT: 3.5g

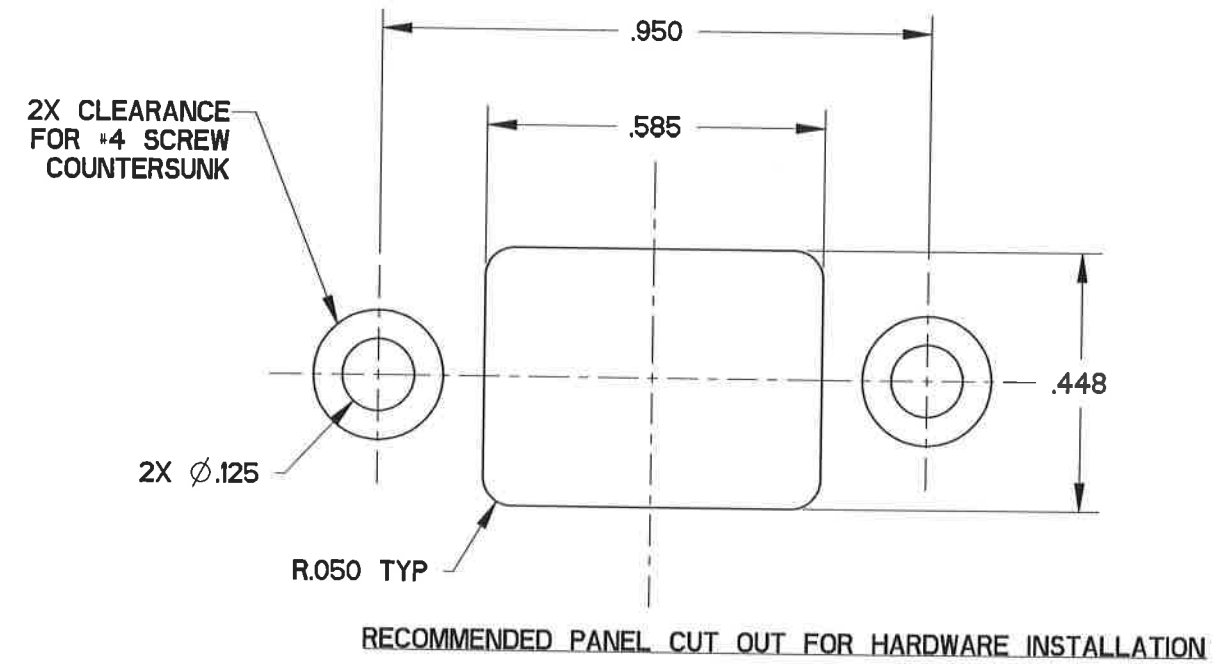
DIMENSIONS	TOLERANCES	PROJECTION	Amphenol Pcd SPECIFICATION DRAWING		TITLE REAR MOUNT FLANGE 8 POS SIZE 22 RECEPTACLE FOR PIN CONTACTS, SQR SIZE 2		
ANSI Y14.5M UNITS: INCHES Pro/E FILE	.XX ±0.01 .XXX ±0.005 ANGLES ±2.0°		ENGR MICKEY ZHANG Jun-08-17		SIZE B	DWG NO. SQR822700	REV -
ORIGINAL	THIS DOCUMENT CONTAINS PROPRIETARY INFORMATION WHICH IS THE CONFIDENTIAL PROPERTY OF AMPHENOL PCD INC., BEVERLY, MA		CHKD 	APPD 	CODE: 58982	SCALE: 3:1	SHEET 1 OF 2

SQR822700

SQR822700



PANEL MOUNTING RECOMMENDATIONS



SIZE <b>B</b>	DWG NO. <b>SQR822700</b>	REV -
CODE: 58982	SCALE: 3:1	SHEET 2 OF 2