



Chipsmall Limited consists of a professional team with an average of over 10 year of expertise in the distribution of electronic components. Based in Hongkong, we have already established firm and mutual-benefit business relationships with customers from,Europe,America and south Asia,supplying obsolete and hard-to-find components to meet their specific needs.

With the principle of “Quality Parts,Customers Priority,Honest Operation,and Considerate Service”,our business mainly focus on the distribution of electronic components. Line cards we deal with include Microchip,ALPS,ROHM,Xilinx,Pulse,ON,Everlight and Freescale. Main products comprise IC,Modules,Potentiometer,IC Socket,Relay,Connector.Our parts cover such applications as commercial,industrial, and automotives areas.

We are looking forward to setting up business relationship with you and hope to provide you with the best service and solution. Let us make a better world for our industry!



Contact us

Tel: +86-755-8981 8866 Fax: +86-755-8427 6832

Email & Skype: info@chipsmall.com Web: www.chipsmall.com

Address: A1208, Overseas Decoration Building, #122 Zhenhua RD., Futian, Shenzhen, China

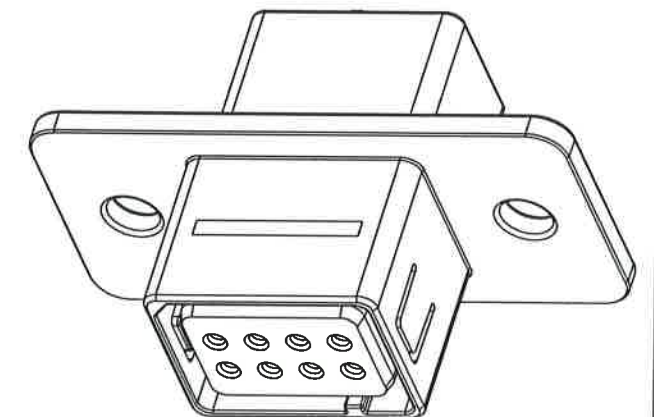
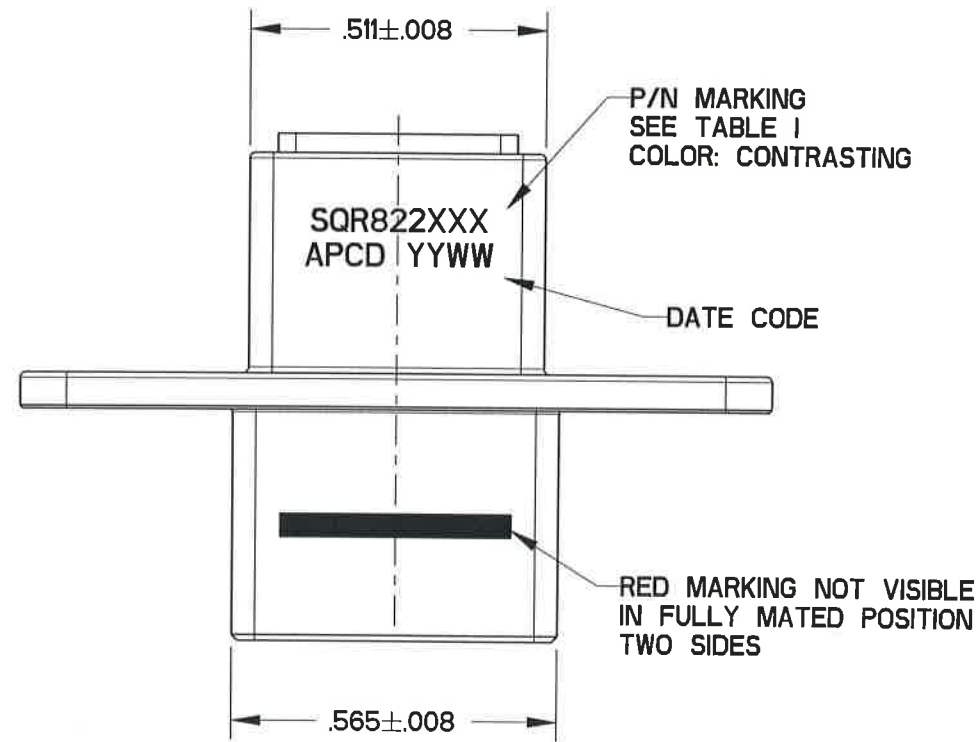
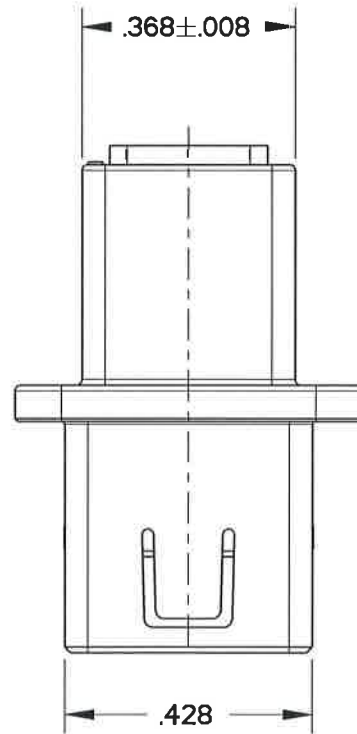
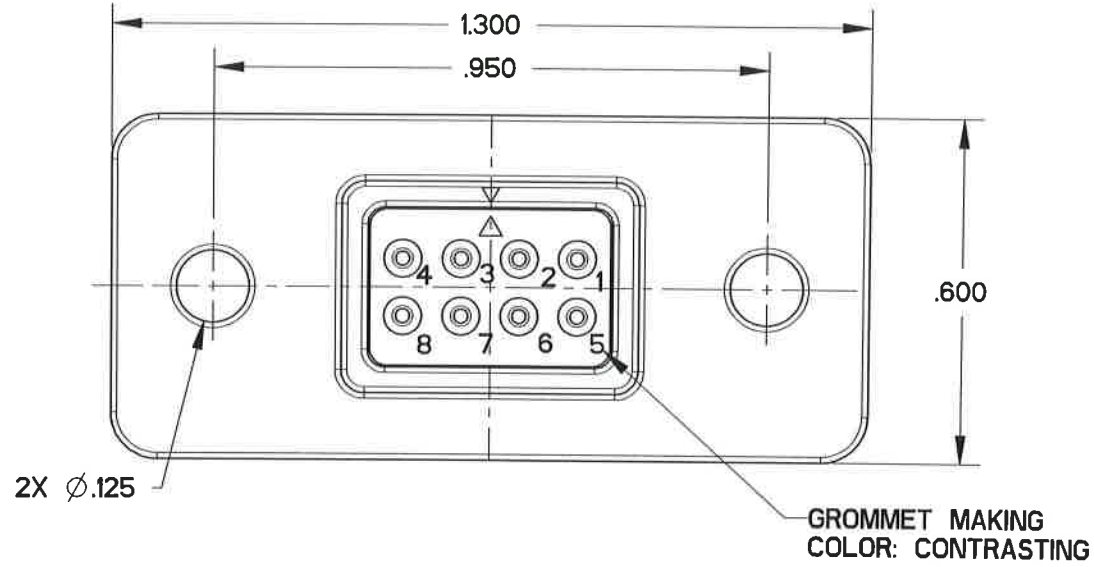


SQR822750

TABLE I - PART NUMBER SCHEME

APCD P/N	CONTACTS SUPPLIED	COLOR / KEY	P/N MARKING	PART MATES WITH
SQR822771	(8) M39029/57-354	WHITE / C	SQR822770	SQR822120
SQR822770	NONE			
SQR822761	(8) M39029/57-354	GREEN / B	SQR822760	SQR822110
SQR822760	NONE			
SQR822751	(8) M39029/57-354	BLACK / A	SQR822750	SQR822100
SQR822750	NONE			

REV	ECN	APP'D
-	8175	ll/11/17



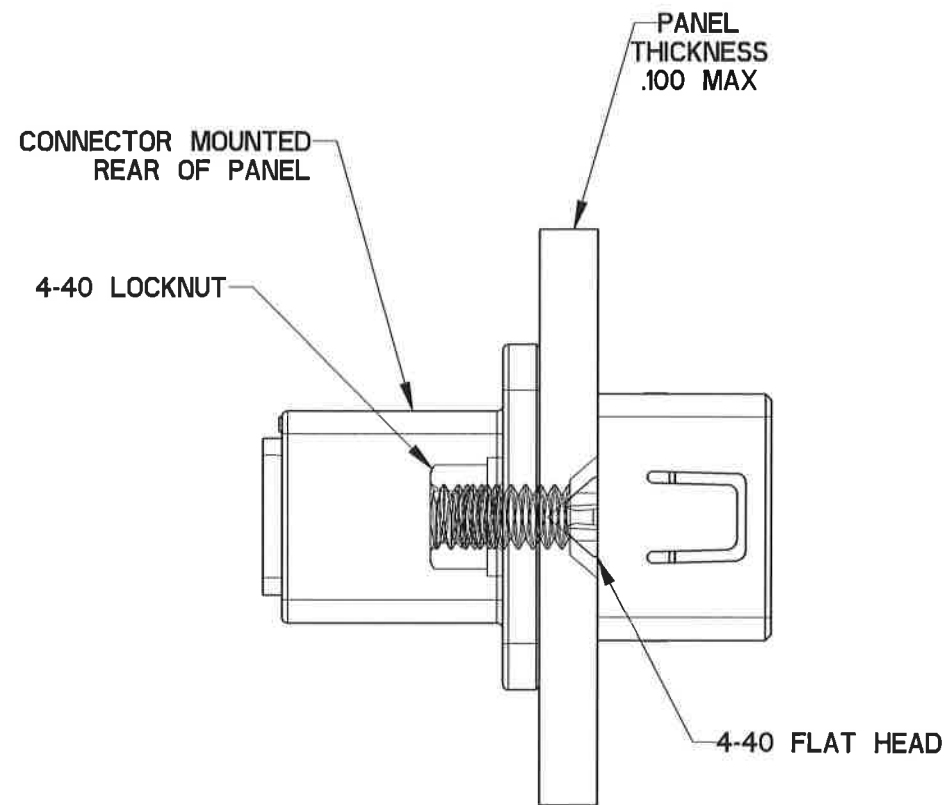
NOTES:

- MATERIALS:
 OUT HOUSING: POLYETHERIMIDE, COLOR: SEE THE TABLE I
 INNER HOUSING: POLYETHERIMIDE, COLOR: BLACK
 CONTACT RETAINER: STAINLESS STEEL
 GROMMET: SILICONE RUBBER PER A-A-59588, COLOR: RED
- PART ACCEPTS M39029/57-354 CONTACTS
- WEIGHT: 3.5g

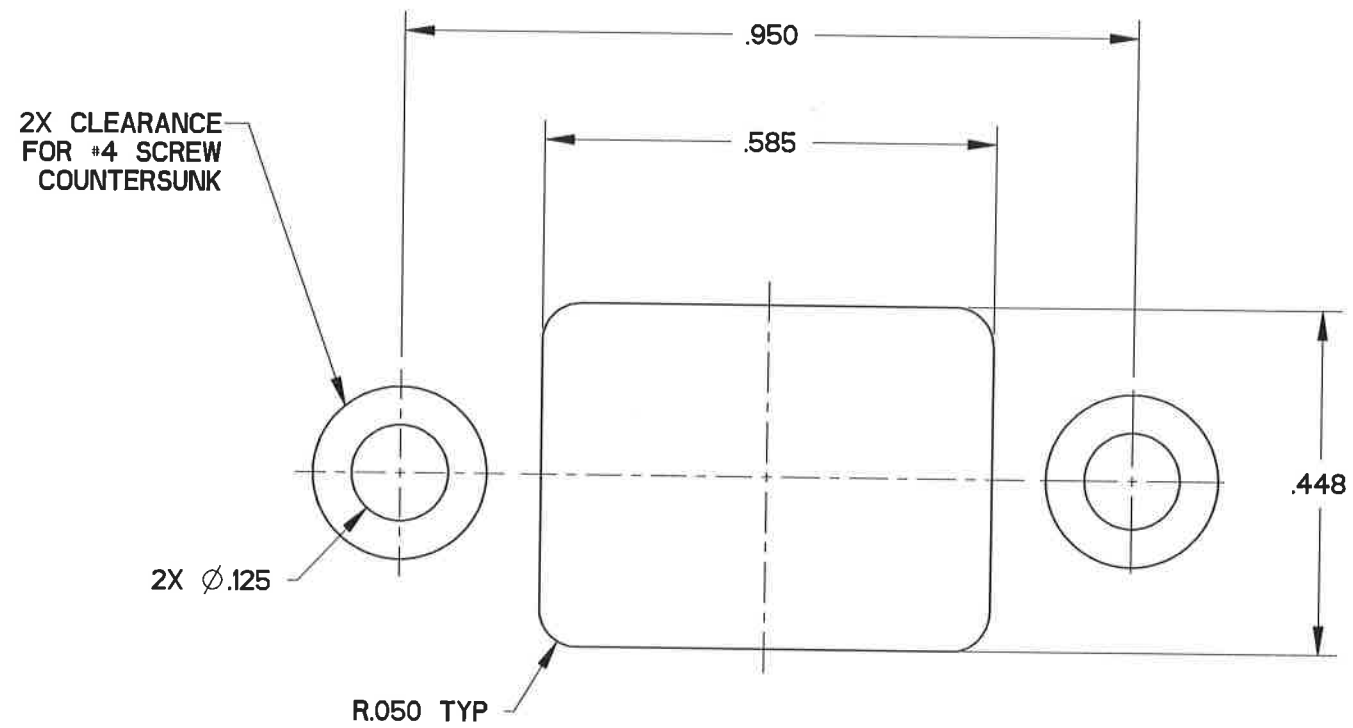
DIMENSIONS	TOLERANCES	PROJECTION	Amphenol Pcd SPECIFICATION DRAWING		TITLE		
ANSI Y14.5M UNITS: INCHES Pro/E FILE	.XX ±0.01 .XXX ±0.005 ANGLES ±2.0°		ENGR MICKEY ZHANG Jun-22-17		REAR MOUNT FLANGE 8 POS SIZE 22 RECEPTACLE FOR SOCKET CONTACTS, SQR SIZE 2		
ORIGINAL	THIS DOCUMENT CONTAINS PROPRIETARY INFORMATION WHICH IS THE CONFIDENTIAL PROPERTY OF AMPHENOL PCD INC., BEVERLY, MA		CHKD <i>Mickey Zhang</i> 11/10/17		SIZE B	DWG NO. SQR822750	REV -
			APPD <i>Michelle Jones</i> 11/10/17		CODE: 58982	SCALE: 3:1	SHEET 1 OF 2

SQR822750

SQR822750



PANEL MOUNTING RECOMMENDATIONS



RECOMMENDED PANEL CUT OUT FOR HARDWARE INSTALLATION

SIZE	DWG NO.	REV
B	SQR822750	-
CODE: 58982	SCALE: 3:1	SHEET 2 OF 2