



Chipsmall Limited consists of a professional team with an average of over 10 year of expertise in the distribution of electronic components. Based in Hongkong, we have already established firm and mutual-benefit business relationships with customers from,Europe,America and south Asia,supplying obsolete and hard-to-find components to meet their specific needs.

With the principle of “Quality Parts,Customers Priority,Honest Operation,and Considerate Service”,our business mainly focus on the distribution of electronic components. Line cards we deal with include Microchip,ALPS,ROHM,Xilinx,Pulse,ON,Everlight and Freescale. Main products comprise IC,Modules,Potentiometer,IC Socket,Relay,Connector.Our parts cover such applications as commercial,industrial, and automotives areas.

We are looking forward to setting up business relationship with you and hope to provide you with the best service and solution. Let us make a better world for our industry!



## Contact us

Tel: +86-755-8981 8866 Fax: +86-755-8427 6832

Email & Skype: info@chipsmall.com Web: www.chipsmall.com

Address: A1208, Overseas Decoration Building, #122 Zhenhua RD., Futian, Shenzhen, China





Conforms to EN60204-1, EN954-1, VDE 0113-1  
UL and C-UL listed, BG approved



H  
safety monitoring relays

## SR103AM

### Dual Channel Safety Monitoring Relay

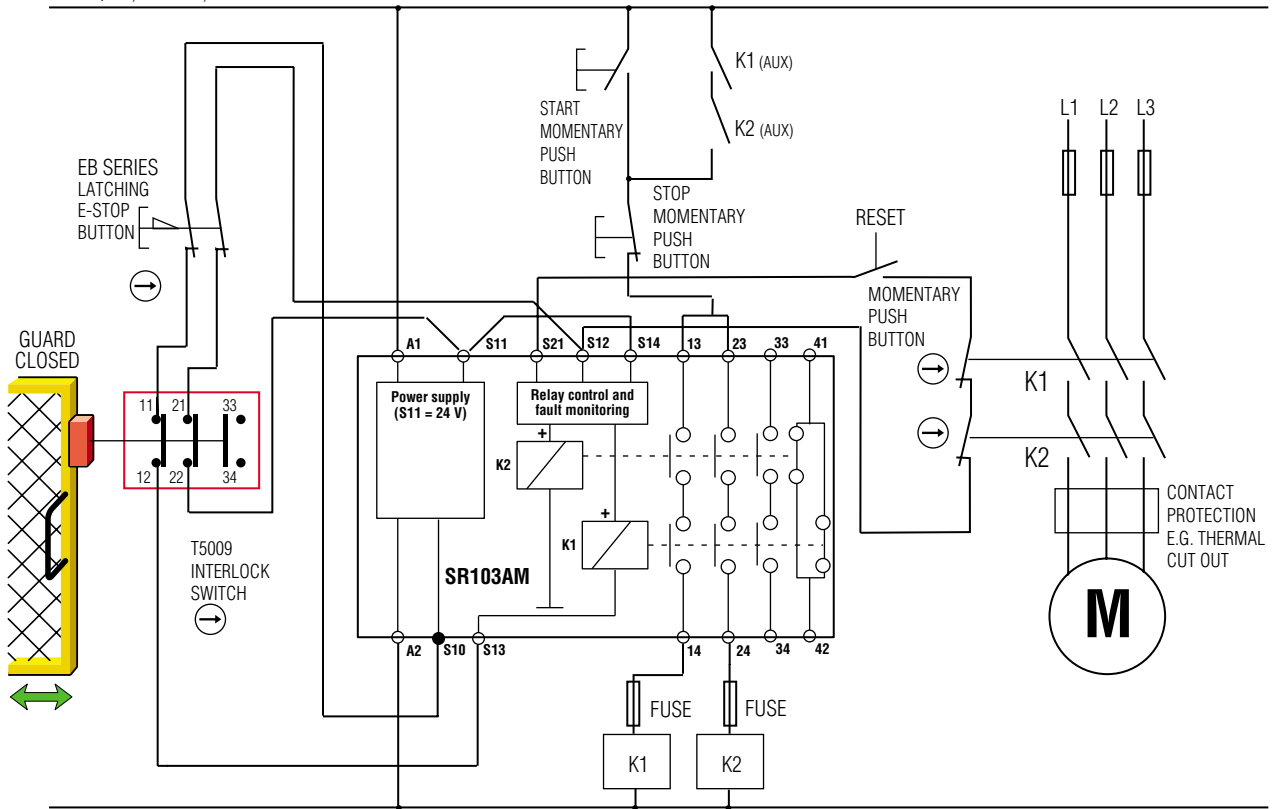
- Power requirements—the SR103AM will accept 24 VAC/DC, 115 VAC, or 230 VAC
- Inputs—the SR103AM will accept single or dual N/C inputs or dual inputs from a light curtain (see SR102AM for application wiring for a light curtain)
- Outputs—the SR103AM has 3 N/O outputs to route power to the coils of power contactors, plus 1 N/C auxiliary output for signaling purposes
- External Device Monitoring (EDM) is provided with a N/C loop between S11/S12 and S21 on the SR103AM
- Monitored manual or auto-manual/manual reset modes are available on the SR103AM. Monitored manual reset requires closure of the reset circuit followed by opening of the circuit. Reset occurs when circuit is opened. Auto reset requires only closure of the reset circuit as reset occurs when circuit is closed.

**A** Go to the Engineering Guide  
For in-depth information on safety standards and use.

## Application

 See the SR102AM for wiring to a light curtain

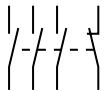
24VAC/DC, 110VAC, 230VAC



H  
safety monitoring relays

 For a full explanation of the circuit operating principle and fault detection, see "Common Circuit Examples" in the Engineering Section of this catalog.

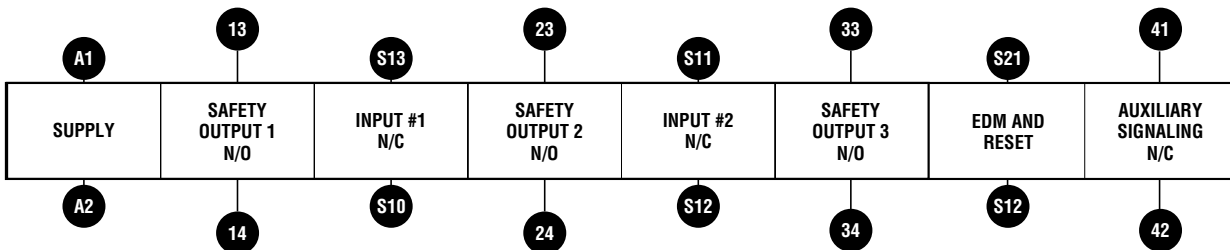
## Output Contact Arrangements



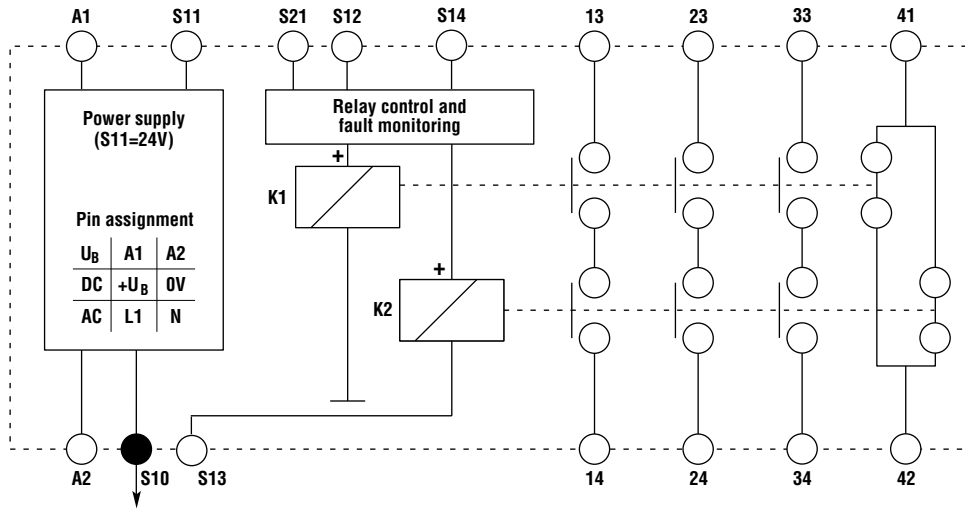
## Terminal Pin Assignments

14	13	S12	A1	13
24	23	S13	S11	23
34	33	S10	S14	33
42	41	A2	S21	41

## Terminal Connections

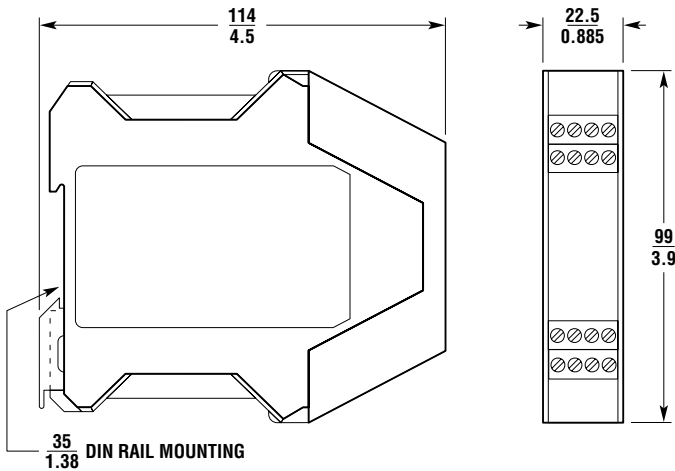


## ■ Block Diagram



## ■ Dimensions — mm/in.

SR103AM



**A** Go to the Engineering Guide  
For in-depth information on safety standards and use.

## ■ Specifications

Electrical	All Models	SR103AM01	SR103AM02	SR103AM03
<b>Power Supply:</b>	±10%, 50-60 Hz	24 VAC/DC	115 VAC	230 VAC
<b>Power Consumption:</b>	Approx. 1 VA			
<b>Safety Inputs:</b>	1 N/C or 2 N/C or 2 solid state (light curtain)			
<b>Max Input Resistance:</b>	800 Ohms per channel			
<b>Outputs:</b>	3 N/O + 1 N/C auxiliary			
<b>Output Rating AC:</b>	Inductive AC-15, 3 A/230 VAC			
<b>Output Rating DC:</b>	Inductive DC-13, 2 A/24 V			
<b>Min Switched Current/Voltage:</b>	10 mA/10 V			
<b>Impulse Withstand Voltage:</b>	2500 V			
<b>Max Drop-Out Time:</b>	12 ms (75 ms by removing supply voltage)			
<b>Max Output Fuse:</b>	6 A quick-acting or 4 A slow-acting			
<b>Reset Mode:</b>	Monitored manual (S11-S21) or automatic/manual (S12-S21)			
<b>Contactors Monitoring:</b>	N/C loop S11/S12-S21			
<b>Mechanical</b>				
<b>Mounting:</b>	35 mm (1.38 in.) DIN rail			
<b>Case Material:</b>	Fiber-filled Polyamide PA6.6			
<b>Max Wire Size:</b>	1 x 2.5 mm <sup>2</sup> (14 AWG) stranded			
<b>Weight:</b>	230 g (8.1 oz.)			
<b>Color:</b>	Red			
<b>External Switches:</b>	None			
<b>Indication:</b>	Green = K1 Closed, Green = K2 Closed			
<b>Mechanical Life:</b>	1 x 10 <sup>7</sup> operations			
<b>Environmental</b>				
<b>Enclosure Protection:</b>	IP20 terminals, IP40 (NEMA 1) housing			
<b>Operating Temperature:</b>	24 VAC/DC: -15 to 40°C (5 to 104°F) 115/230 VAC: -15 to 40°C (5 to 104°F)			
<b>Humidity:</b>	93% RH at 104°C (219°F)			
<b>Compliance</b>				
<b>Standards:</b>	EN 60204-1, EN 954-1, VDE 0113-1			
<b>Approvals/Listings:</b>	CE marked for all applicable directives, BG, UL and C-UL			
<b>Safety Category:</b>	Cat. 4 per EN954-1 (SR103 internal operation)			

Specifications are subject to change without notice.

Note: The safety contacts of the STI switches are described as normally closed (N/C)—i.e., with the guard closed, actuator in place, and the machine able to be started.

## ■ Ordering

Model	Supply	Inputs	Outputs	Auxiliary	Part No.
SR103AM01	24 VAC/DC	2 N/C	3 N/O	1 N/C	44510-1031
SR103AM02	115 VAC	2 N/C	3 N/O	1 N/C	44510-1032
SR103AM03	230 VAC*	2 N/C	3 N/O	1 N/C	44510-1033

\*230 VAC units are available on special order. Minimum quantities may apply.