



Chipsmall Limited consists of a professional team with an average of over 10 year of expertise in the distribution of electronic components. Based in Hongkong, we have already established firm and mutual-benefit business relationships with customers from,Europe,America and south Asia,supplying obsolete and hard-to-find components to meet their specific needs.

With the principle of “Quality Parts,Customers Priority,Honest Operation,and Considerate Service”,our business mainly focus on the distribution of electronic components. Line cards we deal with include Microchip,ALPS,ROHM,Xilinx,Pulse,ON,Everlight and Freescale. Main products comprise IC,Modules,Potentiometer,IC Socket,Relay,Connector.Our parts cover such applications as commercial,industrial, and automotives areas.

We are looking forward to setting up business relationship with you and hope to provide you with the best service and solution. Let us make a better world for our industry!



## Contact us

Tel: +86-755-8981 8866 Fax: +86-755-8427 6832

Email & Skype: info@chipsmall.com Web: www.chipsmall.com

Address: A1208, Overseas Decoration Building, #122 Zhenhua RD., Futian, Shenzhen, China



MODEL:

# SR4POST1224

## SmartRack® Open Frame Rack with Threaded (12-24) Mounting Holes



45 Rack Units



1000 lb  
Stationary  
Load Capacity



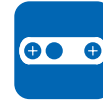
Standard 19-inch  
Rack Width



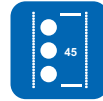
Toolless  
Mounting Slots



Adjustable  
Rails with Easy-View  
Depth Index



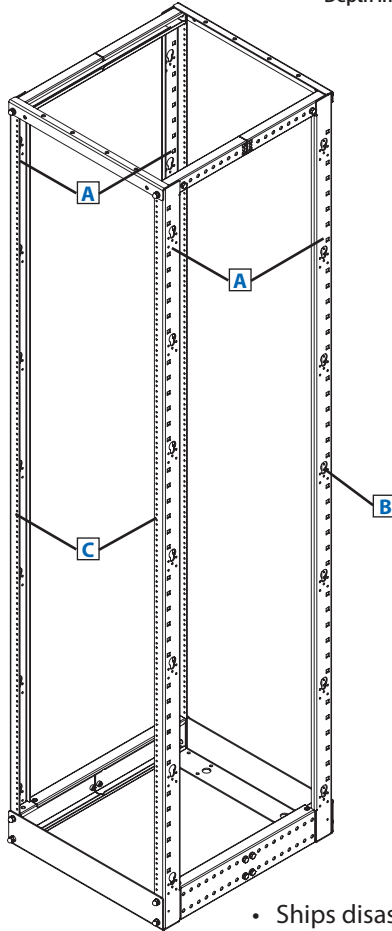
Integrated  
Baying Tabs



Threaded (12-24)  
Mounting Holes

- A** Adjustable Mounting Rails (4)
- B** Toolless Button Holes  
(for vertical PDUs or cable managers)
- C** Threaded (12-24) Mounting Holes

Also Includes: Owner's manual, installation hardware, rackmount equipment mounting hardware (50 screws, 50 washers) and cable management hooks.



- Ships disassembled for easy transport and assembly in tight spaces
- Modular design optimized for quick configuration and reconfiguration
- Threaded (12-24) mounting holes enable fast equipment mounting
- Multiple units can be bolted together side by side
- Ideal for cost-conscious 19-inch rackmount applications



### Specifications

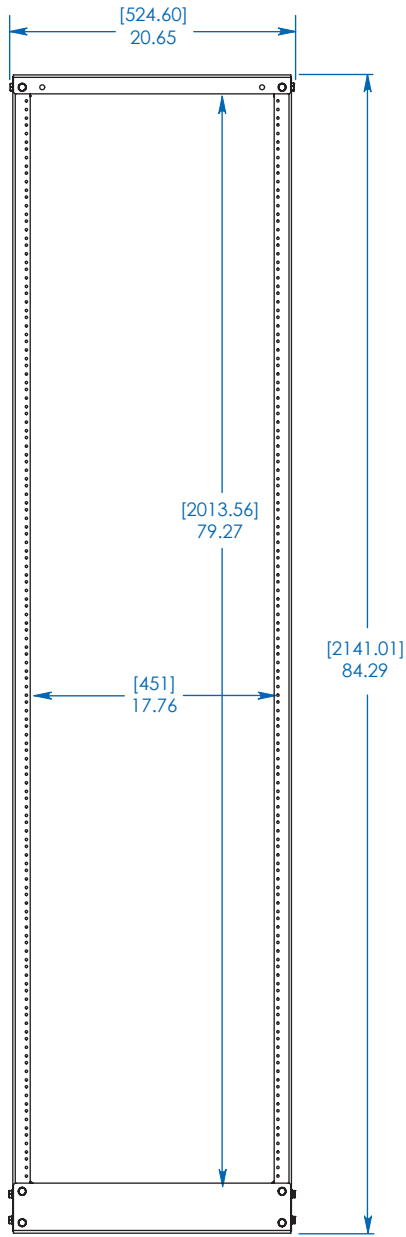
Model	SR4POST1224
Rack Spaces	45U
Stationary Load Capacity	1000 lb (453.6 kg)
Unit Dimensions (H x W x D)	84.3 x 20.7 x 23.6-36 in (2141 x 524.6 x 598.3-914.4 mm) (adjustable depth)
Shipping Dimensions (H x W x D)	6 x 4 x 85 in (152.4 x 101.6 x 2159 mm)
Unit Weight	69 lb (31.29 kg)
Shipping Weight	70 lb (31.5 kg)
Standards	Meets EIA-310-D, NOM (Mexico), IEC 60297-3-100 and RoHS standards

Tripp Lite has a policy of continuous improvement. Specifications are subject to change without notice.

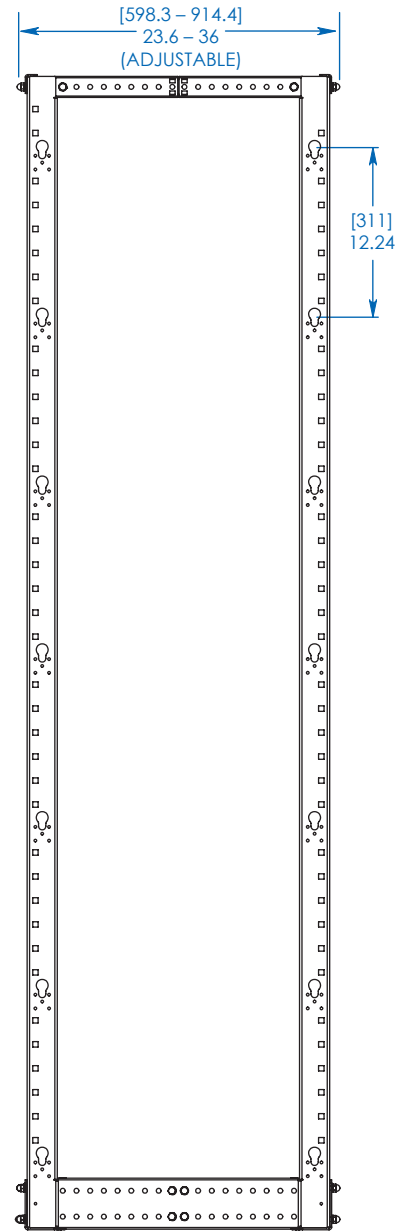
**SEE NEXT PAGE FOR DETAILED UNIT MEASUREMENTS**



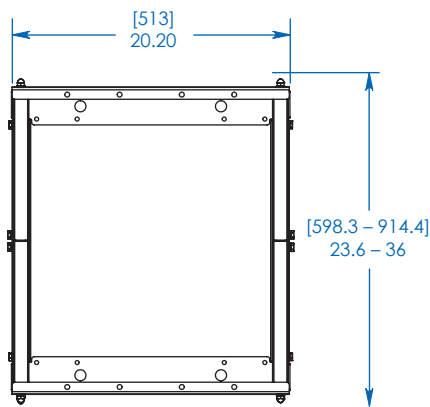
1111 W. 35th Street  
Chicago, IL 60609 USA  
773.869.1234  
www.tripplite.com



FRONT VIEW



SIDE VIEW



TOP VIEW

Dimensions: [mm] INCHES

Tripp Lite has a policy of continuous improvement. Specifications are subject to change without notice.

MODEL:  
**SR4POST1224**  
**TRIPP·LITE**

1111 W. 35th Street  
 Chicago, IL 60609 USA  
 773.869.1234  
 www.triplite.com