



Chipsmall Limited consists of a professional team with an average of over 10 year of expertise in the distribution of electronic components. Based in Hongkong, we have already established firm and mutual-benefit business relationships with customers from,Europe,America and south Asia,supplying obsolete and hard-to-find components to meet their specific needs.

With the principle of "Quality Parts,Customers Priority,Honest Operation,and Considerate Service",our business mainly focus on the distribution of electronic components. Line cards we deal with include Microchip,ALPS,ROHM,Xilinx,Pulse,ON,Everlight and Freescale. Main products comprise IC,Modules,Potentiometer,IC Socket,Relay,Connector.Our parts cover such applications as commercial,industrial, and automotives areas.

We are looking forward to setting up business relationship with you and hope to provide you with the best service and solution. Let us make a better world for our industry!



Contact us

Tel: +86-755-8981 8866 Fax: +86-755-8427 6832

Email & Skype: info@chipsmall.com Web: www.chipsmall.com

Address: A1208, Overseas Decoration Building, #122 Zhenhua RD., Futian, Shenzhen, China



SR70

70 Volts ESD Protector

Features

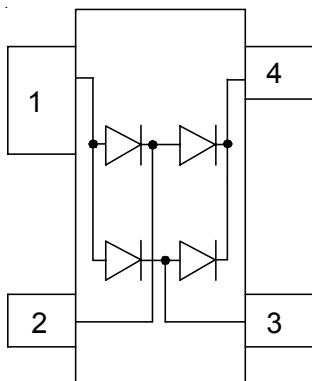
- Halogen free available upon request by adding suffix "-HF"
- IEC 61000-4-5(Lightning) 1kv,24A(8/20us)
- IEC 61000-4-2(ESD) 15kv(air), 8kv(contact)
- Low Clamping Voltage
- Unidirectional Configuration
- Protects 2 I/O Ports & Power Supply
- Low Capacitance
- Epoxy meets UL 94 V-0 flammability rating
- Moisture Sensitivity Level 1

Maximum Ratings

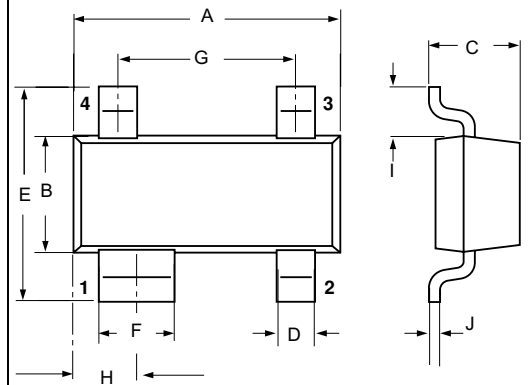
- Operating Junction & Storage Temperature: -55°C to +150°C

Parameter	Symbol	Limits	unit
Peak Pulse Current ($t_p=8/20\mu S$)	I_{pp}	24	A
Rectifier Repetitive Peak Reverse Voltage	V_{RRM}	70	V

Pin Configuration



SOT-143



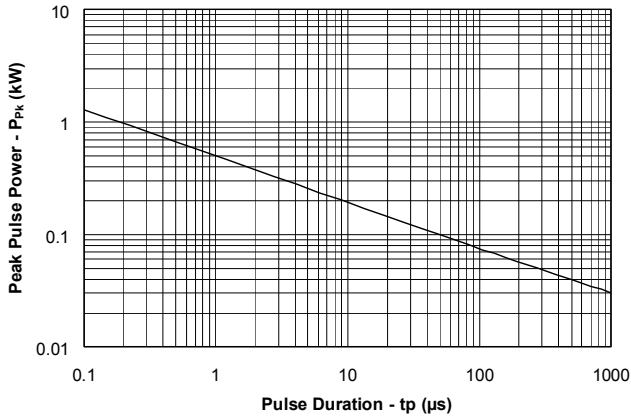
DIM	DIMENSIONS				NOTE
	INCHES		MM		
	MIN	MAX	MIN	MAX	
A	.110	.120	2.80	3.04	
B	.047	.055	1.20	1.39	
C	.033	.045	0.84	1.14	
D	.015	.020	0.39	0.50	
E	.083	.098	2.11	2.48	
F	.031	.037	0.79	0.93	
G	.070	.080	1.78	2.03	
H	.028	.033	0.72	0.83	
I	.018	.024	0.46	0.60	
J	.003	.006	0.08	0.15	

Electrical characteristics per line@25°C(unless otherwise specified)

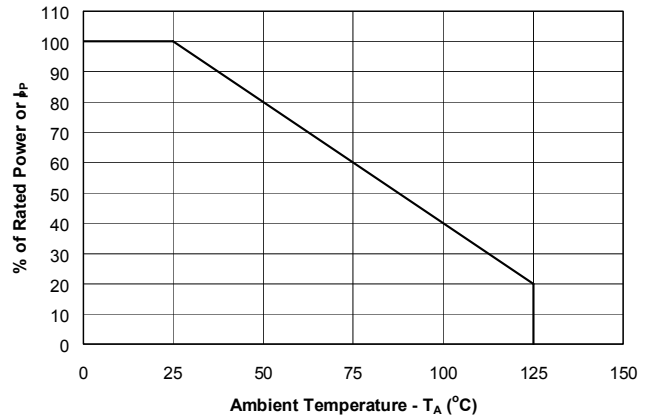
SR70						
Parameter	Symbol	Conditions	Minimum	Typical	Maximum	Units
Peak Reverse Stand-Off Voltage	V_{RRM}				70	V
Reverse Breakdown Voltage	V_{BR}	$I_t = 50\mu A$	85			V
Reverse Leakage Current	I_R	$V_{RWM} = 70V, T=25^\circ C$			5	μA
Forward Clamping Voltage	V_{FC}	$I_{PP} = 1A, t_p = 8/20\mu s$			1.5	V
Forward Clamping Voltage	V_{FC}	$I_{PP} = 10A, t_p = 8/20\mu s$			3.3	V
Forward Clamping Voltage	V_{FC}	$I_{PP} = 24A, t_p = 8/20\mu s$			7	V
Junction Capacitance	C_j	Between I/O pins and Ground $V_R = 0V, f = 1MHz$		5	10	pF
		Between I/O pins $V_R = 0V, f = 1MHz$		3		pF

Typical Characteristics

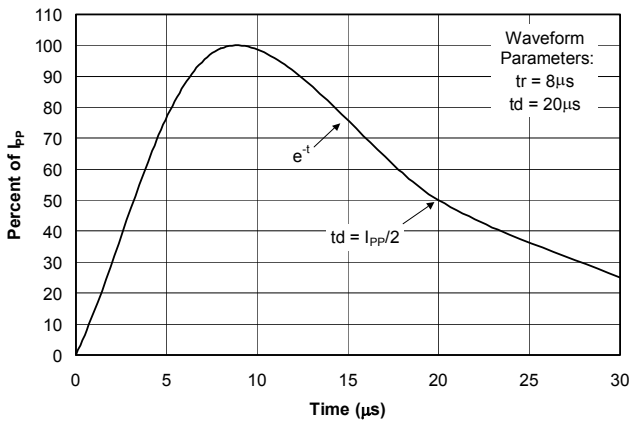
Non-Repetitive Peak Pulse Power vs. Pulse Time



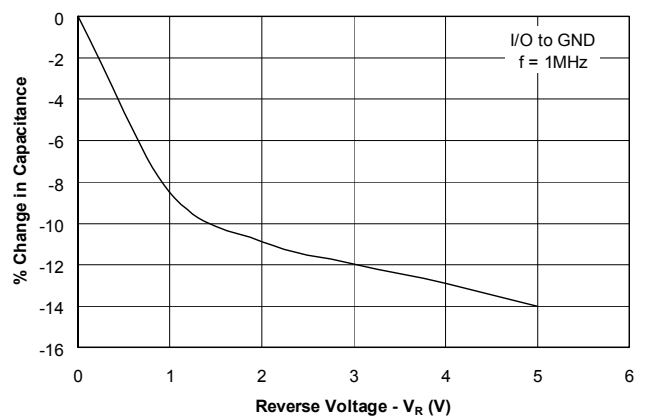
Power Derating Curve



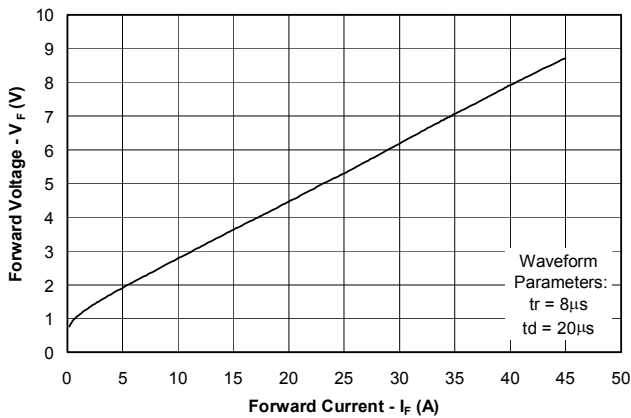
Pulse Waveform



Capacitance vs. Reverse Voltage



Forward Voltage vs. Forward Current





Micro Commercial Components

Ordering Information :

Device	Packing
Part Number-TP	Tape&Reel: 3Kpcs/Reel

Note : Adding "-HF" suffix for halogen free, eg. Part Number-TP-HF

IMPORTANT NOTICE

Micro Commercial Components Corp. reserves the right to make changes without further notice to any product herein to make corrections, modifications , enhancements , improvements , or other changes . **Micro Commercial Components Corp .** does not assume any liability arising out of the application or use of any product described herein; neither does it convey any license under its patent rights ,nor the rights of others . The user of products in such applications shall assume all risks of such use and will agree to hold **Micro Commercial Components Corp .** and all the companies whose products are represented on our website, harmless against all damages.

LIFE SUPPORT

MCC's products are not authorized for use as critical components in life support devices or systems without the express written approval of Micro Commercial Components Corporation.

CUSTOMER AWARENESS

Counterfeiting of semiconductor parts is a growing problem in the industry. Micro Commercial Components (MCC) is taking strong measures to protect ourselves and our customers from the proliferation of counterfeit parts. MCC strongly encourages customers to purchase MCC parts either directly from MCC or from Authorized MCC Distributors who are listed by country on our web page cited below. Products customers buy either from MCC directly or from Authorized MCC Distributors are genuine parts, have full traceability, meet MCC's quality standards for handling and storage. **MCC will not provide any warranty coverage or other assistance for parts bought from Unauthorized Sources.** MCC is committed to combat this global problem and encourage our customers to do their part in stopping this practice by buying direct or from authorized distributors.

www.mccsemi.com