



Chipsmall Limited consists of a professional team with an average of over 10 year of expertise in the distribution of electronic components. Based in Hongkong, we have already established firm and mutual-benefit business relationships with customers from,Europe,America and south Asia,supplying obsolete and hard-to-find components to meet their specific needs.

With the principle of "Quality Parts,Customers Priority,Honest Operation,and Considerate Service",our business mainly focus on the distribution of electronic components. Line cards we deal with include Microchip,ALPS,ROHM,Xilinx,Pulse,ON,Everlight and Freescale. Main products comprise IC,Modules,Potentiometer,IC Socket,Relay,Connector.Our parts cover such applications as commercial,industrial, and automotives areas.

We are looking forward to setting up business relationship with you and hope to provide you with the best service and solution. Let us make a better world for our industry!



Contact us

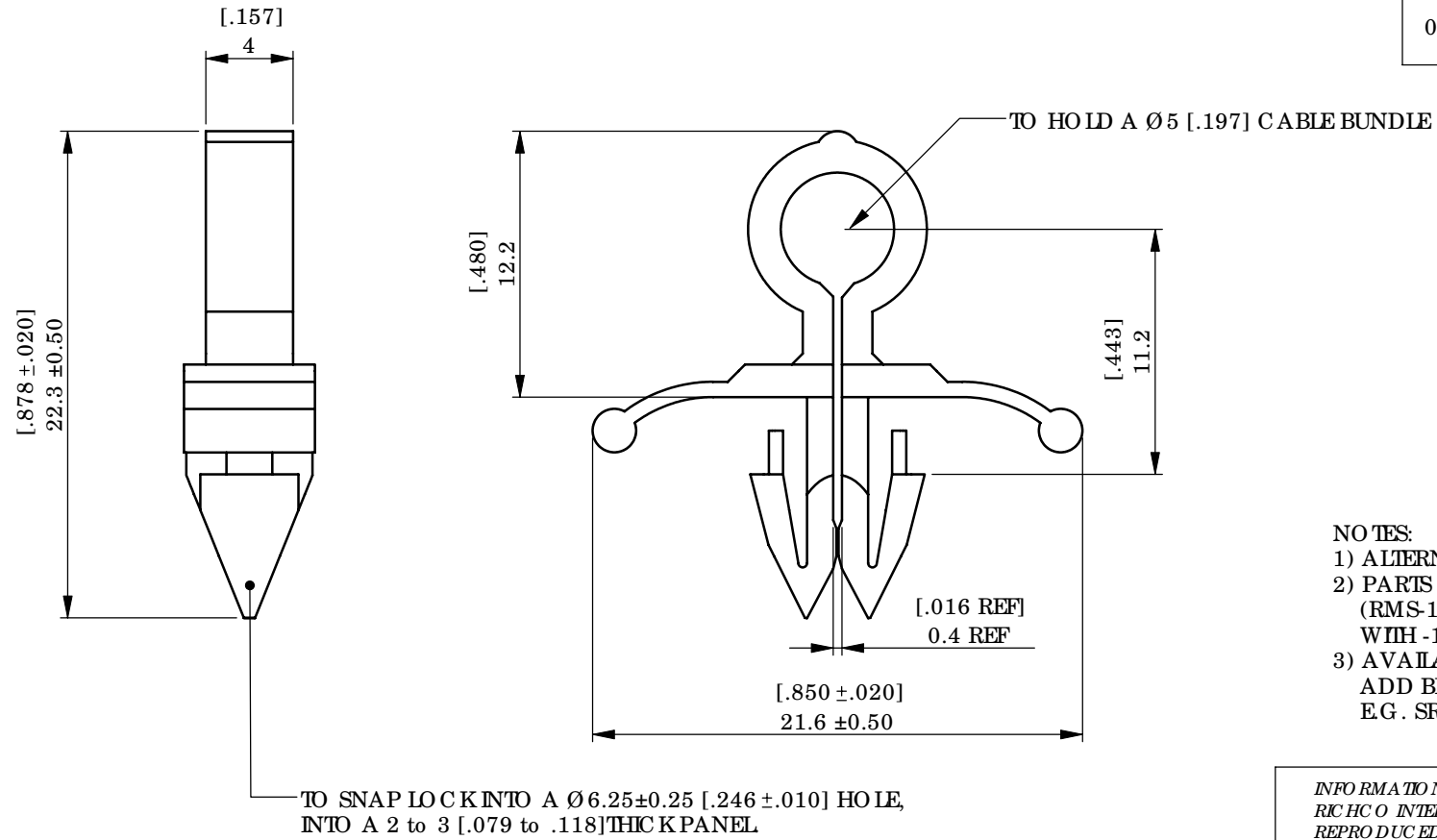
Tel: +86-755-8981 8866 Fax: +86-755-8427 6832

Email & Skype: info@chipsmall.com Web: www.chipsmall.com

Address: A1208, Overseas Decoration Building, #122 Zhenhua RD., Futian, Shenzhen, China



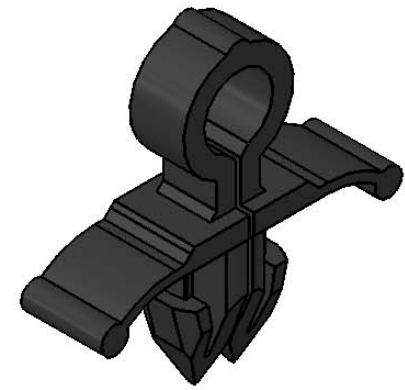
REV.	MODIFICATION.	DATE	DRN
01	PRODUCTION RELEASE	18/06/08	OW
02	CO2010446	16/10/08	SF
03	CO2010486	20/11/08	PH
04	CO2010743	24/07/09	OW



- NOTES:
- 1) ALTERNATE UNITS FOR REFERENCE ONLY
 - 2) PARTS AVAILABLE IN NYLON 6/6 UL94 V-0 (RMS-19) BY SPECIAL ORDER. REPLACE -01 WITH -19 E.G. SRC -1-19
 - 3) AVAILABLE IN BLACK COLOUR BY SPECIAL ORDER. ADD BK TO THE END OF THE PART NUMBER E.G. SRC -1-01BK

INFORMATION CONTAINED IN THIS DOCUMENT IS CONFIDENTIAL TO RICHCO INTERNATIONAL Co. Ltd. AND MAY NOT BE DISCLOSED OR REPRODUCED IN WHOLE OR PART WITHOUT THEIR WRITTEN CONSENT.

RICHCO, INC. WWW.RICHCO-INC.COM		ALL DIMENSIONS IN mm GENERAL TOLERANCES ± 0.25 UNLESS OTHERWISE STATED 1 DECIMAL PLACE ± 0.25 2 DECIMAL PLACES ± 0.10 ANGULAR $\pm 1^\circ$		THIRD ANGLE
MATERIAL: SEE TABLE			COLOUR: SEE TABLE	
DESCRIPTION: SPLIT ROUTING CLIP			PART No: SRC -1-XX	
DRG No: 08-0051		NPR No: 2007-304		Mass:(g) 0.8
SHEET SIZE A4				
DRN OW	DATE 02/10/07	CHKD SF	DATE 02/10/07	SCALE NTS
SHEET No. 1 OF 1				



PART NUMBER	MATERIAL	COLOUR
SRC -1-01	NYLON 6/6 UL94 V-2(RMS-01)	NATURAL