



Chipsmall Limited consists of a professional team with an average of over 10 year of expertise in the distribution of electronic components. Based in Hongkong, we have already established firm and mutual-benefit business relationships with customers from,Europe,America and south Asia,supplying obsolete and hard-to-find components to meet their specific needs.

With the principle of “Quality Parts,Customers Priority,Honest Operation,and Considerate Service”,our business mainly focus on the distribution of electronic components. Line cards we deal with include Microchip,ALPS,ROHM,Xilinx,Pulse,ON,Everlight and Freescale. Main products comprise IC,Modules,Potentiometer,IC Socket,Relay,Connector.Our parts cover such applications as commercial,industrial, and automotives areas.

We are looking forward to setting up business relationship with you and hope to provide you with the best service and solution. Let us make a better world for our industry!



## Contact us

Tel: +86-755-8981 8866 Fax: +86-755-8427 6832

Email & Skype: info@chipsmall.com Web: www.chipsmall.com

Address: A1208, Overseas Decoration Building, #122 Zhenhua RD., Futian, Shenzhen, China



PART NO.	"A" DIA.	"B" ±.015 (±0.4)	"C" REF.	FIG. NO.
SRC-4-01	1/4 (6.4)	.26 (6.6)	.75 (19.1)	2
SRC-7-01	7/16 (11.1)	.39 (9.8)	.97 (24.7)	1
SRC-8-01	1/2 (12.7)	.43 (10.8)	1.04 (26.5)	
SRC-10-01	5/8 (15.9)	.50 (12.7)	1.18 (29.9)	

FIG. 1

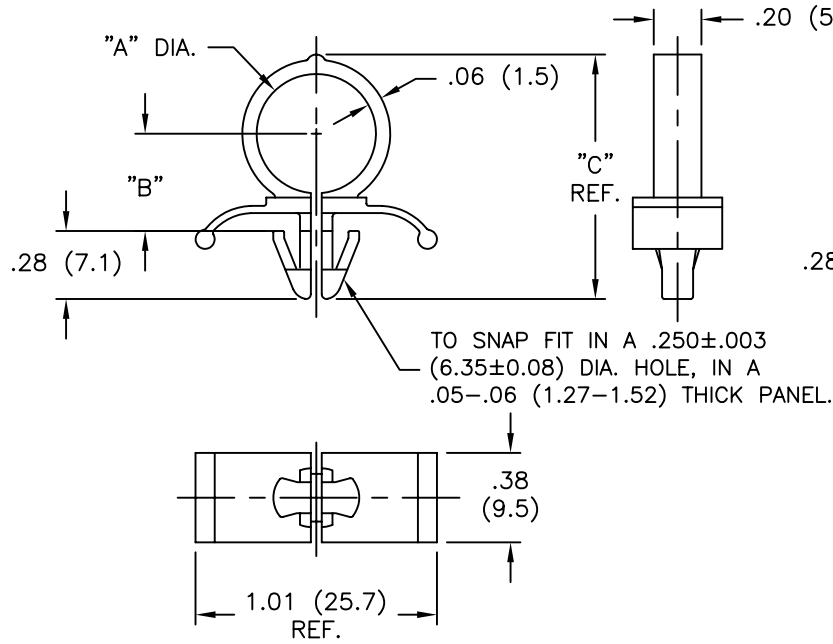
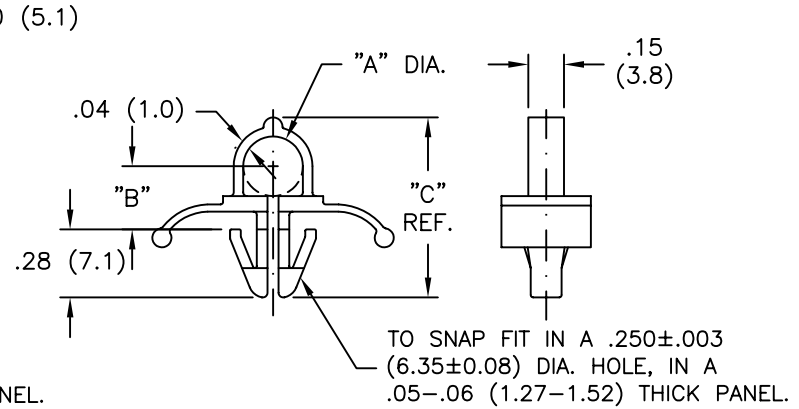


FIG. 2



NOTES:

- MAT'L: NYLON 66 (RMS-01).  
FLAME RETARDANT NYLON (RMS-19),  
AVAILABLE BY SPECIAL ORDER ONLY.
- COLOR: NATURAL  
COLOR BLACK, AVAILABLE BY SPECIAL ORDER

TITLE: SPLIT ROUTING CLIP		DWG IN IN (MM)		FINAL	
E	SEE ECN #745 FOR CHANGES	SM 01.16.04	TOLERANCES UNLESS NOTED	FILE # SRC	DWN: P.B.
D	ADDED FLAME RET. NOTE IN NOTE 1	SJ 03.05.02	.XX=±.010	MAT'L: SEE NOTES	DT: 05-02-95
C	CHANGED FILE NO. AND TITLE BLOCK	SM 02.26.02	.XXX=±.005	RE: RICHCO, INC.	DT:
B	ADDED FIG#2 AND SRC-4	JB 11.28.95	FRAC=±1/64	RICHCO INC.	PO BOX 804238, CHICAGO, 60680
A	CONVERTED TO ACAD	PB 05.02.95	ANG=±1'	(773) 539-4060	PART # SEE TABLE
REV	DESCRIPTION	ENGR DATE			PRINT TYPE CA