



Chipsmall Limited consists of a professional team with an average of over 10 year of expertise in the distribution of electronic components. Based in Hongkong, we have already established firm and mutual-benefit business relationships with customers from,Europe,America and south Asia,supplying obsolete and hard-to-find components to meet their specific needs.

With the principle of “Quality Parts,Customers Priority,Honest Operation,and Considerate Service”,our business mainly focus on the distribution of electronic components. Line cards we deal with include Microchip,ALPS,ROHM,Xilinx,Pulse,ON,Everlight and Freescale. Main products comprise IC,Modules,Potentiometer,IC Socket,Relay,Connector.Our parts cover such applications as commercial,industrial, and automotives areas.

We are looking forward to setting up business relationship with you and hope to provide you with the best service and solution. Let us make a better world for our industry!



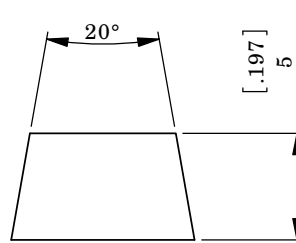
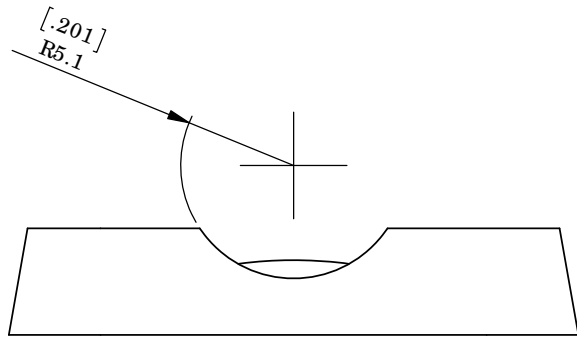
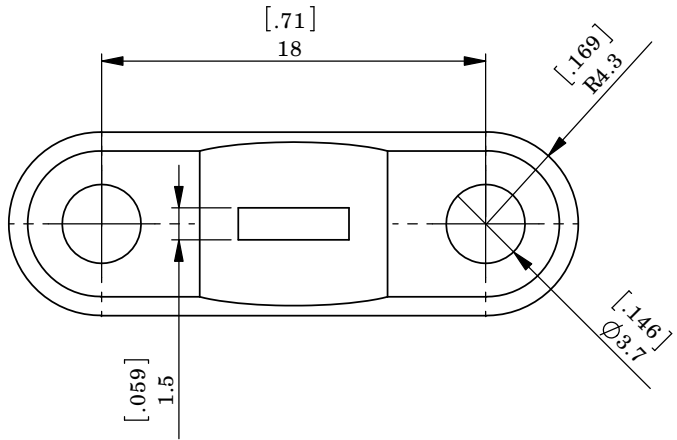
Contact us

Tel: +86-755-8981 8866 Fax: +86-755-8427 6832

Email & Skype: info@chipsmall.com Web: www.chipsmall.com

Address: A1208, Overseas Decoration Building, #122 Zhenhua RD., Futian, Shenzhen, China





REV.	MODIFICATION.	DATE	DRN
01	NEW DRAWING	23/07/04	NJB
02	MAX CABLE DIA ADDED	24/09/04	NJB
03	PARTNo. UPDATED	28/09/04	NJB
04	APPLICATION VIEW & SECONDARY DIMS ADDED	04/10/04	NJB
05	EC N 04-229	10/12/04	NJB
06	EC N 07-221	06/12/07	NJB
07	CO 2010809	10/09/09	MT
08	CO 2011150	26/05/11	SF

NOTES:

- 1) MAX. CABLE DIAMETER = 4.5mm.
- 2) MAXIMUM SCREW SIZES:
M3 x 0.6, No. 6 SCREW UNC, No. 6 SCREW UNF.

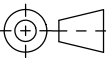
ALTERNATE UNITS FOR REFERENCE ONLY

INFORMATION CONTAINED IN THIS DOCUMENT IS CONFIDENTIAL TO RICHCO INTERNATIONAL Co., Ltd. AND MAY NOT BE DISCLOSED OR REPRODUCED IN WHOLE OR PART WITHOUT THEIR WRITTEN CONSENT.

RICHCO, INC.
WWW.RICHCO-INC.COM

ALL DIMENSIONS IN mm
GENERAL TOLERANCES ±0.25
UNLESS OTHERWISE STATED
1 DECIMAL PLACE ±
2 DECIMAL PLACES ±
ANGULAR ±1°

THIRD ANGLE



MATERIAL: NYLON 6/6 UL94 V-2 (RMS-48)				COLOR: GREY	
DESCRIPTION: STRAIN RELIEF CABLE CLAMP				PARTNo.: SRC C-1	
DRG No: 04-081		NPR REF:		SHEET SIZE A4	
DRN NJB	DATE 23/07/04	CHKD OW	DATE 23/07/04	SCALE NTS	SHEET No 1 OF 1