



Chipsmall Limited consists of a professional team with an average of over 10 year of expertise in the distribution of electronic components. Based in Hongkong, we have already established firm and mutual-benefit business relationships with customers from,Europe,America and south Asia,supplying obsolete and hard-to-find components to meet their specific needs.

With the principle of “Quality Parts,Customers Priority,Honest Operation,and Considerate Service”,our business mainly focus on the distribution of electronic components. Line cards we deal with include Microchip,ALPS,ROHM,Xilinx,Pulse,ON,Everlight and Freescale. Main products comprise IC,Modules,Potentiometer,IC Socket,Relay,Connector.Our parts cover such applications as commercial,industrial, and automotives areas.

We are looking forward to setting up business relationship with you and hope to provide you with the best service and solution. Let us make a better world for our industry!



## Contact us

Tel: +86-755-8981 8866 Fax: +86-755-8427 6832

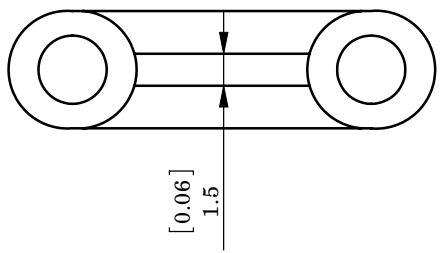
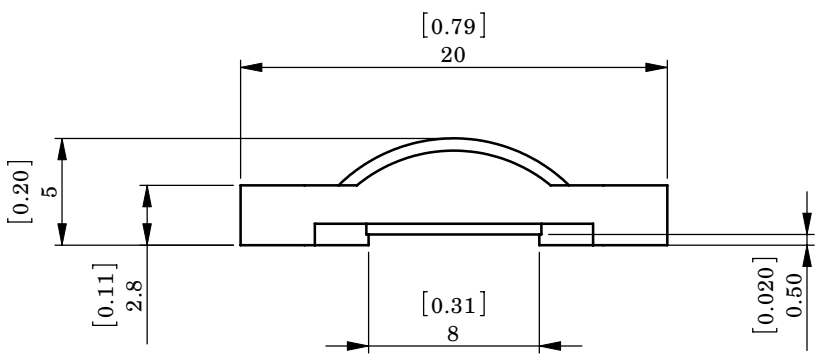
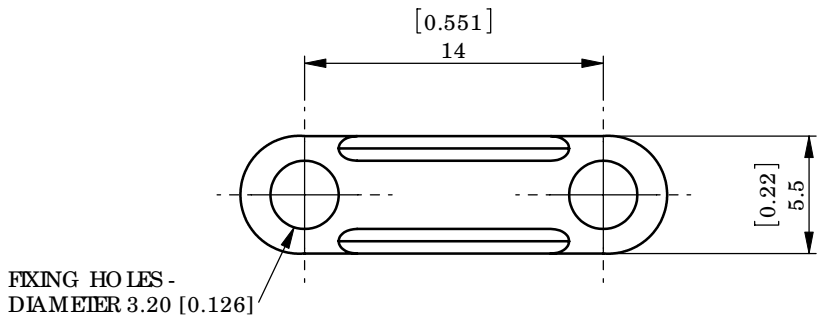
Email & Skype: info@chipsmall.com Web: www.chipsmall.com

Address: A1208, Overseas Decoration Building, #122 Zhenhua RD., Futian, Shenzhen, China

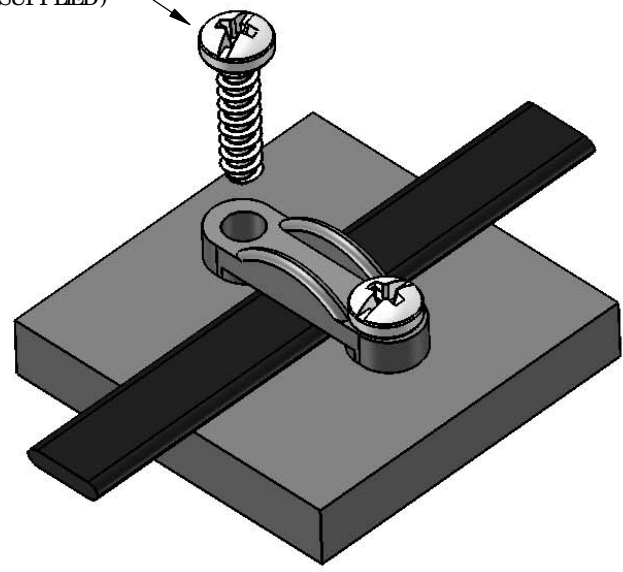


A B C D E F

REV.	MODIFICATION.	DATE	DRN
02	EC N 2008-022	04/02/08	TC
03	CO-2010147	19/03/08	OW
04	CO-2010666	01/06/09	SF



TO ACCOMMODATE  
2x M3 [#3] FLATHEAD  
SCREWS (NOT SUPPLIED)



APPLICATION VIEW

ALTERNATE UNITS FOR REFERENCE ONLY

INFORMATION CONTAINED IN THIS DOCUMENT IS CONFIDENTIAL TO RICHCO INTERNATIONAL Co., Ltd. AND MAY NOT BE DISCLOSED OR REPRODUCED IN WHOLE OR PART WITHOUT THEIR WRITTEN CONSENT.

<b>RICHCO, INC.</b> WWW.RICHCO-INC.COM	ALL DIMENSIONS IN mm & [INCH] GENERAL TOLERANCES ±0.25 [0.010] UNLESS OTHERWISE STATED 1 DECIMAL PLACE ±0.25 [0.010] 2 DECIMAL PLACES ±0.10 [0.004] ANGULAR ±1°	THIRD ANGLE 

PART NUMBER	MATERIAL
SRC C-2	NYLON 6/6 UL94 V-2 (RMS-01)
SRC C-2-HT	NYLON 4/6 UL-94 V-2 (RMS-109)

MATERIAL: NYLON 6/6 UL94 V-2 (RMS-01)		COLOR: BLACK	
DESCRIPTION: STRAIN RELIEF CLAMP		PART No.: SEE TABLE	
DRG No: 05-104	NPR No: 2004-448	Mass:(g) 0.35	SHEET SIZE A4
DRN NJB	DATE 05/01/05	CHKD NBR	DATE 05/01/05
SCALE NTS		SHEET No. 1 OF 1	