



Chipsmall Limited consists of a professional team with an average of over 10 year of expertise in the distribution of electronic components. Based in Hongkong, we have already established firm and mutual-benefit business relationships with customers from,Europe,America and south Asia,supplying obsolete and hard-to-find components to meet their specific needs.

With the principle of “Quality Parts,Customers Priority,Honest Operation,and Considerate Service”,our business mainly focus on the distribution of electronic components. Line cards we deal with include Microchip,ALPS,ROHM,Xilinx,Pulse,ON,Everlight and Freescale. Main products comprise IC,Modules,Potentiometer,IC Socket,Relay,Connector.Our parts cover such applications as commercial,industrial, and automotives areas.

We are looking forward to setting up business relationship with you and hope to provide you with the best service and solution. Let us make a better world for our industry!



Contact us

Tel: +86-755-8981 8866 Fax: +86-755-8427 6832

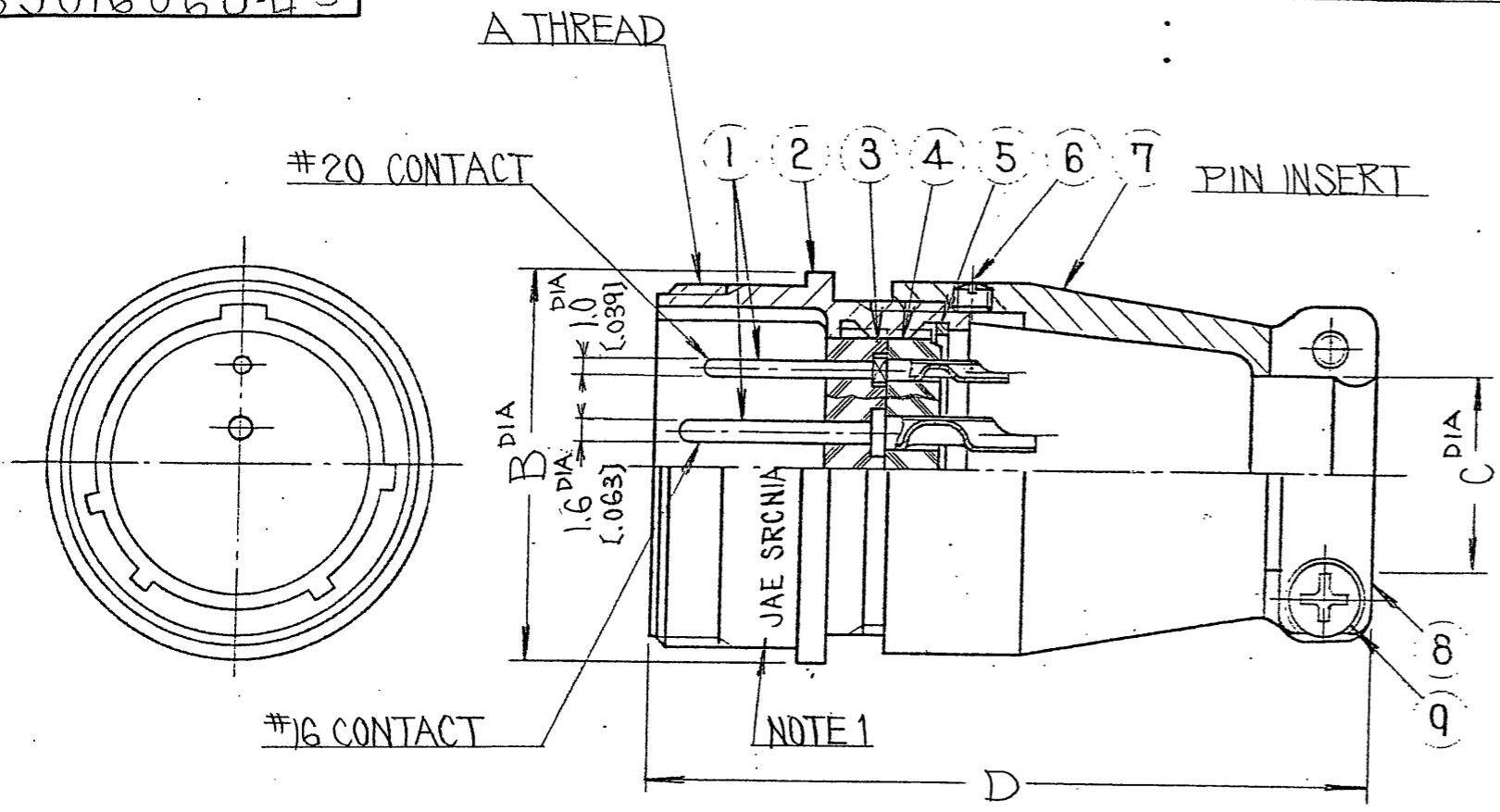
Email & Skype: info@chipsmall.com Web: www.chipsmall.com

Address: A1208, Overseas Decoration Building, #122 Zhenhua RD., Futian, Shenzhen, China



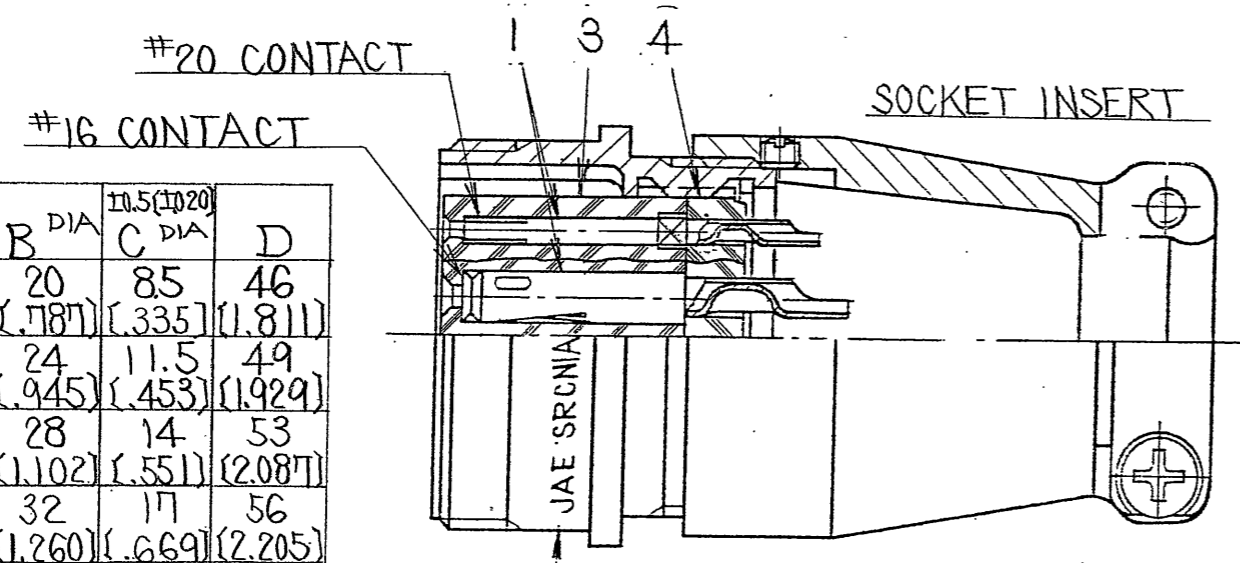
DWG. NO.	SYM.
SJ016060-E	3

SYM.	DCN NO.	DESCRIPTION	DATE	DRAWN	CHECKED	APP'D	APP'D
3	062556	REVISED NOTE	16-MAR-2007	t. takekita	W. Matsumoto	-	A. Onogawa



IDENTIFICATION
 SRCN 1 A * - * * *
 (OMIT FOR NORMAL)
 ALTERNATE INSERT POSITION
 CONTACT TYPE; P-PIN CONTACT, S-SOCKET CONTACT
 NUMBER OF CONTACTS
 SHELL SIZE
 CLASS
 SHELL STYLE
 SERIES PREFIX

NOTES
 1. METAL STAMPS "JAE" "SRCNIA* - * * *"
 2. FOR AVAILABLE INSERT ARRANGEMENTS, ALTERNATE POSITIONS ELECTRICAL SPECIFICATIONS AND CONTACT SIZE, REFER TO SJ014069 OR CONSULT FACTORY.



SHELL SIZE	A THREAD	B DIA	10.5 (10.20) C DIA	D
13	M18 P1	[1.787]	[3.35]	[1.811]
16	M22 P1	[1.945]	[4.53]	[1.929]
21	M26 P1	[1.102]	[1.551]	[2.087]
25	M30 P1	[1.260]	[1.669]	[2.205]

ITEM	DESCRIPTION	Q'TY	MATERIAL	FINISH	NOTE
9	SCREWS, PAN HEAD	2	STEEL	NICKEL PLATING	
8	SADDLE, CLAMP	1	ALUMINUM ALLOY	SATIN NICKEL PLATING	
7	ENDBELL	1	ALUMINUM ALLOY	SATIN NICKEL PLATING	
6	SLOTTED SET SCREW	1	STEEL	NICKEL PLATING	COLOR: BLACK
5	RING, RETAINING	1	COPPER ALLOY	NICKEL PLATING	
4	INSULATOR, REAR	1	PLASTIC	NONE	UL FLAME CLASS 94V-0
3	INSULATOR, FRONT	1	PLASTIC	NONE	UL FLAME CLASS 94V-0
2	SHELL	1	ALUMINUM ALLOY	SATIN NICKEL PLATING	
1	CONTACTS	-	COPPER ALLOY	SILVER PLATING	SEE NOTE 2

REQUIREMENTS
 TEMPERATURE -25°C ~ +85°C
 RELATIVE HUMIDITY 85% MAX
 INSULATION RESISTANCE 1000 M.Ω MIN (AT DC 500V)

NOTE 1

UNLESS OTHERWISE SPECIFIED		DATE	5-26-1981
DIMENSIONS ARE IN MILLIMETERS		DRAWN	M. Komatsu
TOLERANCES ON: (INCHES)		CHECKED	M. Inoue, M. Shibuya
FRACTIONS	DECIMALS .XX	ANGLES	APP'D
	±.2 ±.08 ±.02	±1/2	H. Kawamura
TREATMENT OR FINISH		APP'D	T. Yajima

TITLE
 CONNECTOR PLUG ELECTRICAL
 CABLE - CONNECTING
 SRCN 1A
 SCALE NONE DWG. SIZE B WT.

JAE-CONNECTOR.COM
 JAPAN AVIATION ELECTRONICS IND. CO. LTD.
 Reference Only
 NAKAGAMI-CHO, AKISHIMA-SHI TOKYO, JAPAN
 DWG. NO. SJ016060-E
 SHEET