



Chipsmall Limited consists of a professional team with an average of over 10 year of expertise in the distribution of electronic components. Based in Hongkong, we have already established firm and mutual-benefit business relationships with customers from,Europe,America and south Asia,supplying obsolete and hard-to-find components to meet their specific needs.

With the principle of “Quality Parts,Customers Priority,Honest Operation,and Considerate Service”,our business mainly focus on the distribution of electronic components. Line cards we deal with include Microchip,ALPS,ROHM,Xilinx,Pulse,ON,Everlight and Freescale. Main products comprise IC,Modules,Potentiometer,IC Socket,Relay,Connector.Our parts cover such applications as commercial,industrial, and automotives areas.

We are looking forward to setting up business relationship with you and hope to provide you with the best service and solution. Let us make a better world for our industry!



Contact us

Tel: +86-755-8981 8866 Fax: +86-755-8427 6832

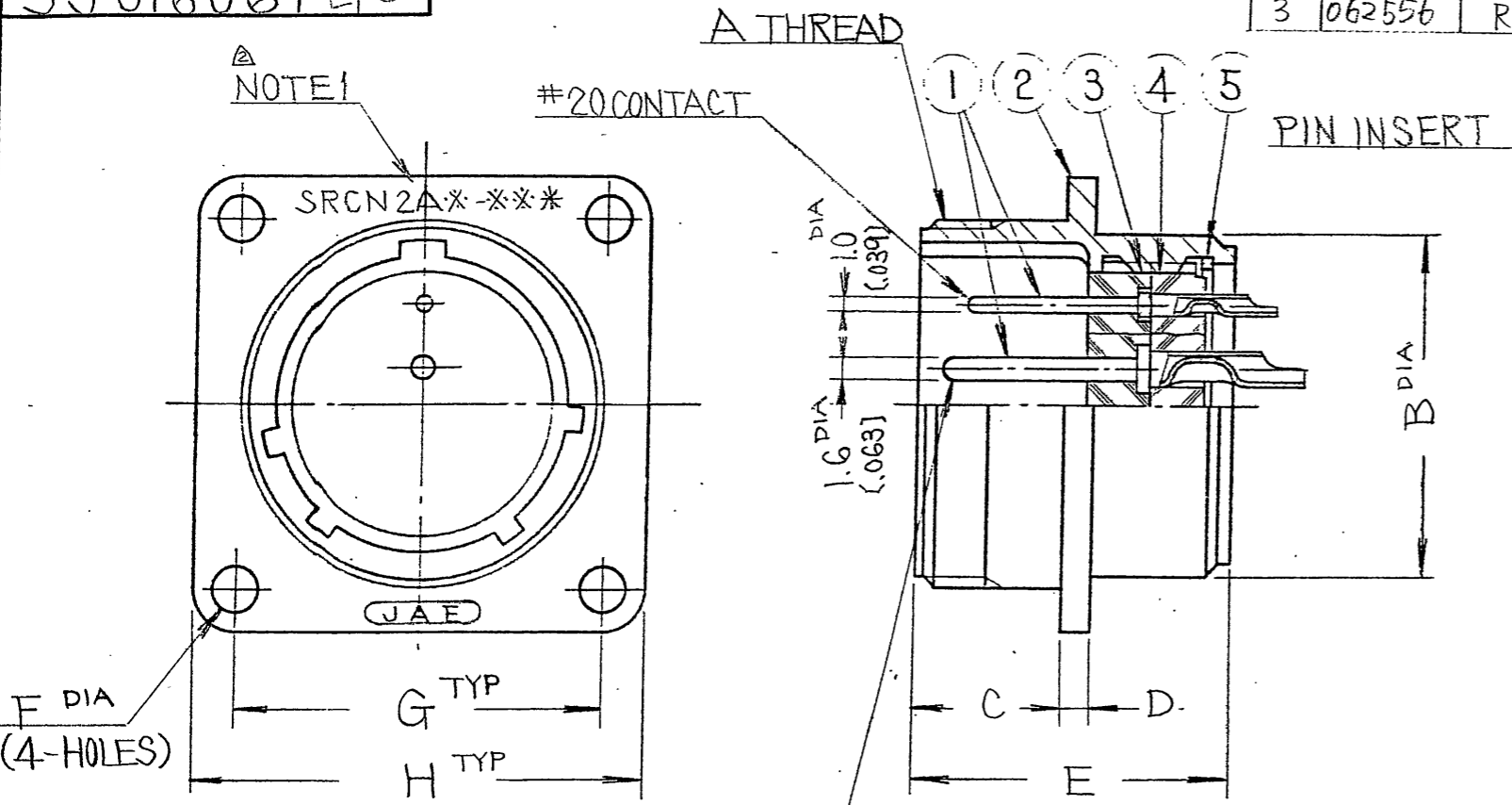
Email & Skype: info@chipsmall.com Web: www.chipsmall.com

Address: A1208, Overseas Decoration Building, #122 Zhenhua RD., Futian, Shenzhen, China



DWG. NO.	SYM.
SJ016061-E	3

SYM.	DCN NO.	DESCRIPTION	DATE	DRAWN	CHECKED	APP'D	APP'D
1	15967	CHANGED STAMPING POSITION	1-FEB-83	K. Ota	H. Inoue	N. Iwashiro	H. Kawamura
3	062556	REVISED NOTE	16-MAR-2007	T. Takasita	E. Motomoto	-	A. Onogawa



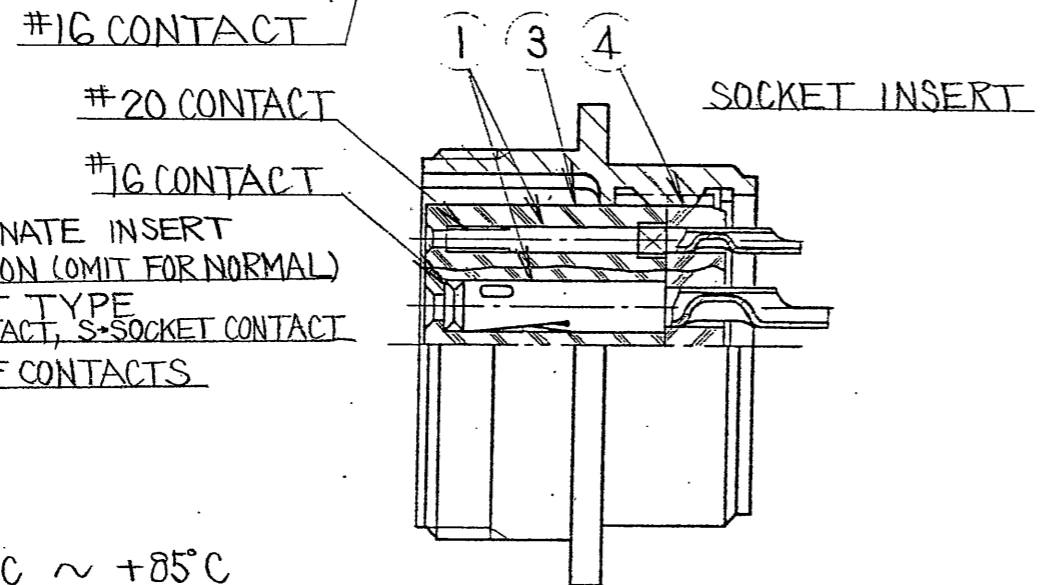
SHELL SIZE	A THREAD	10.3 ± 0.012 B DIA	C	D	E	3.2 ± 0.012 F DIA	G TYP	10.5 H TYP
13	M18 P1	16 (.630)	10.5 (.413)	2.0 (.079)	22.5 (.886)	3.2 (.126)	20.00 (.787)	26 (1.024)
16	M22 P1	20 (.787)	↑	↑	↑	↑	23.00 (.906)	29 (1.142)
21	M26 P1	24 (.945)	↓	↓	↓	↓	26.00 (1.024)	32 (1.260)
25	M30 P1	28 (1.102)	10.5 (.413)	2.0 (.079)	22.5 (.886)	3.2 (.126)	29.00 (1.142)	35 (1.378)

NOTES
 1. METAL STAMPS "SRCN 2A * - * * *" (JAE)
 2. FOR AVAILABLE INSERT ARRANGEMENTS, ALTERNATE POSITIONS, ELECTRICAL SPECIFICATIONS AND CONTACT SIZE, REFER TO SJ014069 OR CONSULT FACTORY.
 3. IDENTIFICATION PER JIS C 5432 AS FOLLOWS.

CNRO1SR * 0 * 0 * * * (OMIT FOR NORMAL)
 M - PIN CONTACT
 F - SOCKET CONTACT
 ALTERNATE INSERT POSITION
 NUMBER OF CONTACTS
 SHELL SIZE

IDENTIFICATION

SRCN 2A * - * * *
 SERIES PREFIX
 SHELL STYLE
 CLASS
 SHELL SIZE



REQUIREMENTS

TEMPERATURE -25°C ~ +85°C
 RELATIVE HUMIDITY 85% MAX
 INSULATION RESISTANCE 1000 MΩ MIN (AT DC 500V)

ITEM	DESCRIPTION	Q'TY	MATERIAL	FINISH	NOTE
5	RING RETAINING	1	COPPER ALLOY	NICKEL PLATING	
4	INSULATOR, REAR	1	PLASTIC	NONE	UL FLAME CLASS 94V-0
3	INSULATOR, FRONT	1	PLASTIC	NONE	UL FLAME CLASS 94V-0
2	SHELL	1	ALUMINUM ALLOY	SATIN NICKEL PLATING	
1	CONTACTS	-	COPPER ALLOY	SILVER PLATING	SEE NOTE 2

UNLESS OTHERWISE SPECIFIED		DATE	5-26-1981
DIMENSIONS ARE IN MILLIMETERS TOLERANCES ON: (INCHES)		DRAWN	M. Nomatsu
FRACTIONS	DECIMALS	CHECKED	H. Inoue, M. Takai
$\pm \frac{1}{16}$	± 0.01	APP'D	N. Iwashiro
$\pm \frac{1}{32}$	± 0.005	APP'D	T. Yajima
ANGLES			
$\pm 1/2^\circ$			
TREATMENT OR FINISH			

TITLE		JAE-CONNECTOR.COM	
CONNECTOR RECEPTACLE		IND. CO. LTD.	
ELECTRICAL BOX MOUNTING		Reference Only	
SRCN 2A		NAKAGAMI-CHO, AKISHIMA-SHI TOKYO, JAPAN	
SCALE	NONE	DWG. SIZE	B
WT.		SHEET	

NEXT ASS'Y	USED ON	NEXT ASS'Y	FINAL ASS'Y
APPLICATION		QTY REQ'D	