



Chipsmall Limited consists of a professional team with an average of over 10 year of expertise in the distribution of electronic components. Based in Hongkong, we have already established firm and mutual-benefit business relationships with customers from,Europe,America and south Asia,supplying obsolete and hard-to-find components to meet their specific needs.

With the principle of "Quality Parts,Customers Priority,Honest Operation,and Considerate Service",our business mainly focus on the distribution of electronic components. Line cards we deal with include Microchip,ALPS,ROHM,Xilinx,Pulse,ON,Everlight and Freescale. Main products comprise IC,Modules,Potentiometer,IC Socket,Relay,Connector.Our parts cover such applications as commercial,industrial, and automotives areas.

We are looking forward to setting up business relationship with you and hope to provide you with the best service and solution. Let us make a better world for our industry!



## Contact us

Tel: +86-755-8981 8866 Fax: +86-755-8427 6832

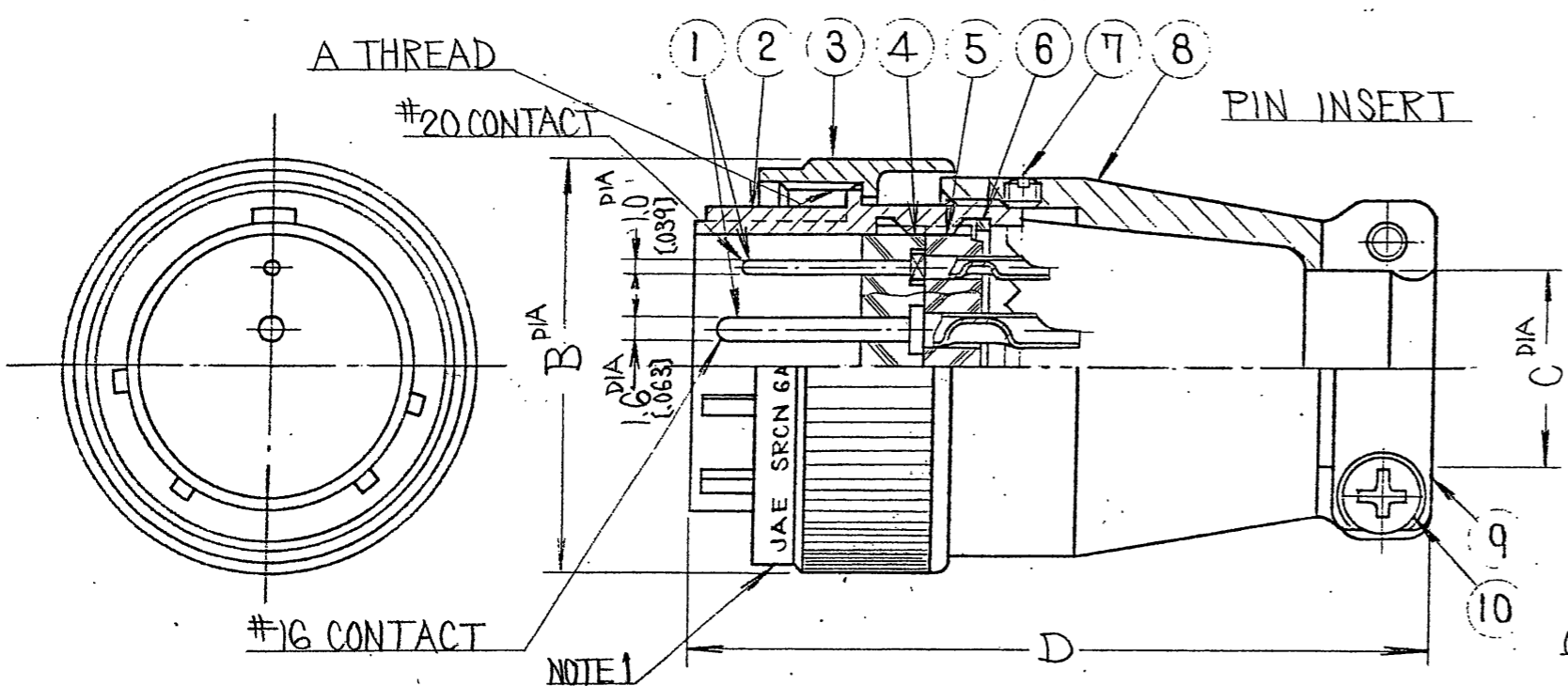
Email & Skype: info@chipsmall.com Web: www.chipsmall.com

Address: A1208, Overseas Decoration Building, #122 Zhenhua RD., Futian, Shenzhen, China



DWG. NO.	SYM.
SJ016062-E	3

SYM.	DCN NO.	DESCRIPTION	DATE	DRAWN	CHECKED	APP'D	APP'D
3	062556	REVISED NOTE	16-MAR-2007	T. Takekita	E. Matsumoto	-	A. Onogawa



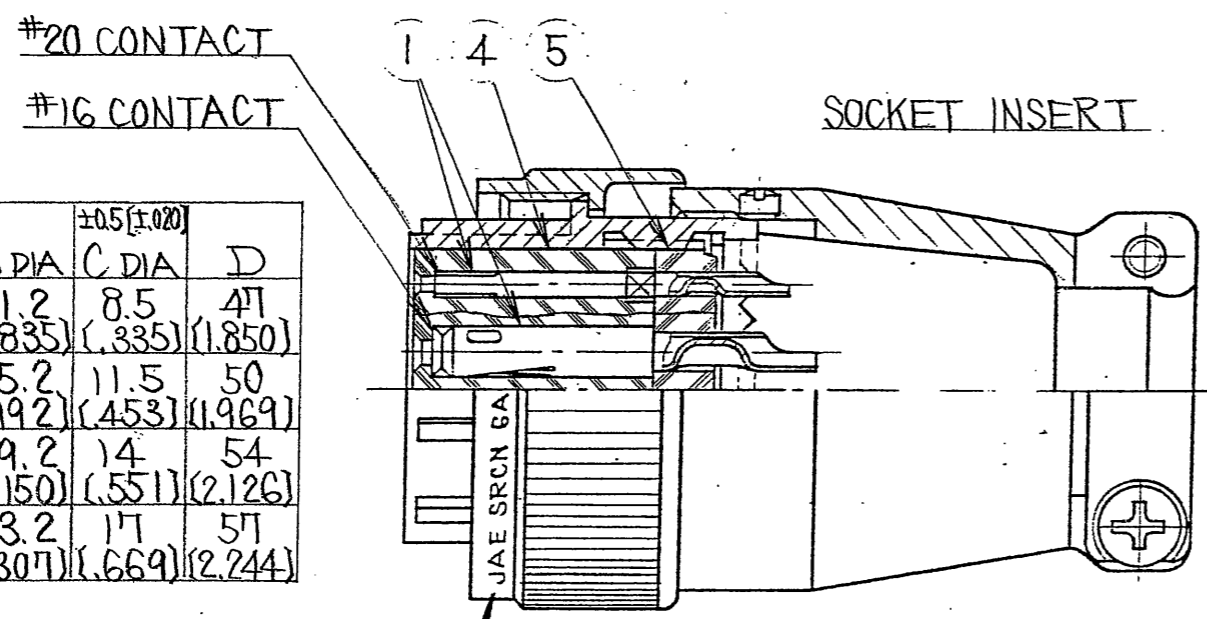
IDENTIFICATION

SRCN 6 A \* - \* \* \*  
 (OMIT FOR NORMAL)  
 ALTERNATE INSERT POSITION  
 CONTACT TYPE; P-PIN CONTACT, S-SOCKET CONTACT  
 NUMBER OF CONTACTS  
 SHELL SIZE  
 CLASS  
 SHELL STYLE  
 SERIES PREFIX

NOTES

- METAL STAMPS "JAE" "SRCN 6A \* - \* \* \*".
- FOR AVAILABLE INSERT ARRANGEMENTS, ALTERNATE POSITIONS, ELECTRICAL SPECIFICATIONS AND CONTACT SIZE, REFER TO SJ014069 OR CONSULT FACTORY.
- IDENTIFICATION PER JIS C 5432 AS FOLLOWS.

CNROISP \* 0 \* 0 \* \* \*  
 (OMIT FOR NORMAL)  
 CONTACT TYPE M-PIN CONTACT F-SOCKET CONTACT  
 SHELL SIZE ALTERNATE INSERT POSITION  
 NUMBER OF CONTACTS



SHELL SIZE	A THREAD	B DIA	C DIA	D
13	M18 P1	21.2 (.835)	8.5 (.335)	47 (1.850)
16	M22 P1	25.2 (.992)	11.5 (.453)	50 (1.969)
21	M26 P1	29.2 (1.150)	14 (.551)	54 (2.126)
25	M30 P1	33.2 (1.307)	17 (.669)	57 (2.244)

REQUIREMENTS

TEMPERATURE -25°C ~ +85°C  
 RELATIVE HUMIDITY 85% MAX  
 INSULATION RESISTANCE 1000 MΩ MIN  
 (AT DC500V)

ITEM	DESCRIPTION	Q'TY	MATERIAL	FINISH	NOTE
10	SCREWS PAN HEAD	2	STEEL	NICKEL PLATING	
9	SADDLE CLAMP	1	ALUMINUM ALLOY	SATIN NICKEL PLATING	
8	ENDBELL	1	ALUMINUM ALLOY	SATIN NICKEL PLATING	
7	SLOTTED SET SCREW	1	STEEL	NICKEL PLATING	COLOR: BLACK
6	RING RETAINING	1	COPPER ALLOY	NICKEL PLATING	
5	INSULATOR REAR	1	PLASTIC	NONE	UL FLAME CLASS 94V-0
4	INSULATOR FRONT	1	PLASTIC	NONE	UL FLAME CLASS 94V-0
3	NUT COUPLING	1	ALUMINUM ALLOY	SATIN NICKEL PLATING	
2	BARREL	1	ALUMINUM ALLOY	SATIN NICKEL PLATING	
1	CONTACTS		COPPER ALLOY	SILVER PLATING	SEE NOTE 2

UNLESS OTHERWISE SPECIFIED			DATE	5-26-1981
DIMENSIONS ARE IN MILLIMETERS			DRAWN	M. Komatsu
TOLERANCES ON: (INCHES)			CHECKED	M. Onoue, M. Takagi
FRACTIONS	DECIMALS	ANGLES	APP'D	E. Matsumoto
	±.2 (±.019)	±.08 (±.031)	±.02 (±.008)	
TREATMENT OR FINISH			APP'D	T. Yajima

TITLE: CONNECTOR, PLUG ELECTRICAL, STRAIGHT SRCN 6A

JAE-CONNECTOR.COM  
 Reference Only

JAPAN AVIATION ELECTRONICS IND. CO. LTD. FACTORY  
 NAKAGAMI-CHO, AKISHIMA-SHI TOKYO, JAPAN

DWG. NO. SJ016062-E

SCALE: NONE DWG. SIZE: B WT. SHEET

NEXT ASS'Y	USED ON	NEXT ASS'Y	FINAL ASS'Y
APPLICATION	Q'TY REQ'D		