



Chipsmall Limited consists of a professional team with an average of over 10 year of expertise in the distribution of electronic components. Based in Hongkong, we have already established firm and mutual-benefit business relationships with customers from,Europe,America and south Asia,supplying obsolete and hard-to-find components to meet their specific needs.

With the principle of “Quality Parts,Customers Priority,Honest Operation,and Considerate Service”,our business mainly focus on the distribution of electronic components. Line cards we deal with include Microchip,ALPS,ROHM,Xilinx,Pulse,ON,Everlight and Freescale. Main products comprise IC,Modules,Potentiometer,IC Socket,Relay,Connector.Our parts cover such applications as commercial,industrial, and automotives areas.

We are looking forward to setting up business relationship with you and hope to provide you with the best service and solution. Let us make a better world for our industry!



Contact us

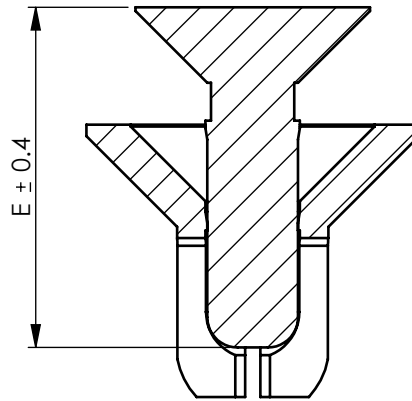
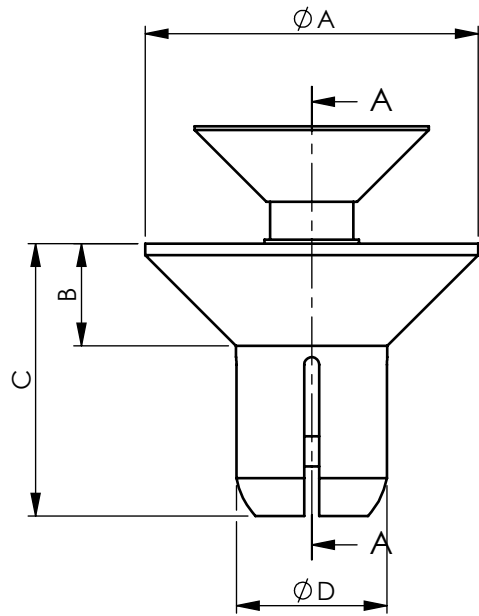
Tel: +86-755-8981 8866 Fax: +86-755-8427 6832

Email & Skype: info@chipsmall.com Web: www.chipsmall.com

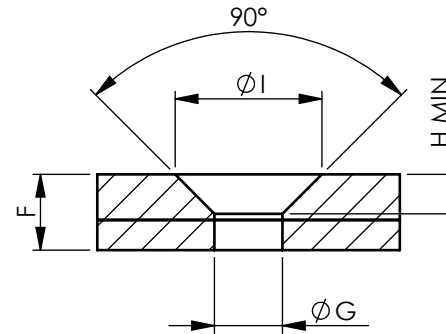
Address: A1208, Overseas Decoration Building, #122 Zhenhua RD., Futian, Shenzhen, China



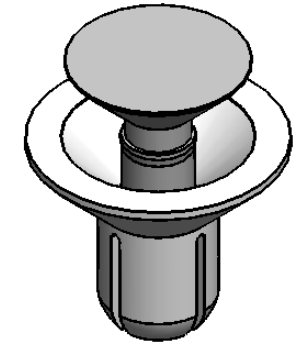
REV.	MODIFICATION.	DATE	DRN
01	Production Release	08/01/09	MT



SECTION A-A
SCALE 5 : 1



NOTE: ACCOMMODATES COUNTERSUNK HOLE SPECIFICATION DIN ISO 7721



MATL: NYLON 6, RMS-52 COLOUR: BLACK OR WHITE	"A"	"B"	"C"	"D"	"E"	TOTAL HOLDING THICKNESS "F"	HOLE DIA. "G"	"H"	"I"
SRCS-4060			6 [.24]		7.1 [.28]	3.5-4.5 [.14 -.18]			
SRCS-4070			7.2 [.28]		9 [.35]	4.5-5.5 [.18 -.22]			
SRCS-4080	8.8 [.35]	2.7 [.11]	8 [.32]	4 [.16]	9 [.35]	5.5-6.5 [.22 -.26]	4.1-4.2 [.16-.17]	2.6 [.10]	9.4 [.37]
SRCS-4090			9 [.35]		11 [.43]	6.5-7.5 [.26 -.30]			
SRCS-4100			10 [.39]		11 [.43]	7.5-8.5 [.30 -.34]			
SRCS-5065	9.8 [.39]	2.7 [.11]	6.5 [.26]	5 [.20]	8.5 [.34]	3.5-4.5 [.14 -.18]	5.1-5.2 [.20-.21]	2.6 [.10]	10.4 [0.41]

ADD "B" FOR BLACK OR "W" FOR WHITE TO THE END OF THE PART NUMBER

ALTERNATE UNITS FOR REFERENCE ONLY

INFORMATION CONTAINED IN THIS DOCUMENT IS CONFIDENTIAL TO RICHCO INTERNATIONAL Co. Ltd. AND MAY NOT BE DISCLOSED OR REPRODUCED IN WHOLE OR PART WITHOUT THEIR WRITTEN CONSENT.



ALL DIMENSIONS IN mm
GENERAL TOLERANCES ± 0.25
UNLESS OTHERWISE STATED
1 DECIMAL PLACE \pm
2 DECIMAL PLACES \pm
ANGULAR $\pm 1^\circ$



MATERIAL: NYLON 6 UL94 V-2 (RMS-52)				COLOUR: SEE TABLE	
DESCRIPTION: COUNTERSUNK SNAP RIVET				PART No: SEE TABLE	
DRG No: 08-034		NPR No: GB08-0019		SHEET SIZE A4	
DRN MT	DATE 01/04/08	CHKD TC	DATE 08/01/09	SCALE NTS	SHEET No. 1 OF 1