



Chipsmall Limited consists of a professional team with an average of over 10 year of expertise in the distribution of electronic components. Based in Hongkong, we have already established firm and mutual-benefit business relationships with customers from,Europe,America and south Asia,supplying obsolete and hard-to-find components to meet their specific needs.

With the principle of "Quality Parts,Customers Priority,Honest Operation,and Considerate Service",our business mainly focus on the distribution of electronic components. Line cards we deal with include Microchip,ALPS,ROHM,Xilinx,Pulse,ON,Everlight and Freescale. Main products comprise IC,Modules,Potentiometer,IC Socket,Relay,Connector.Our parts cover such applications as commercial,industrial, and automotives areas.

We are looking forward to setting up business relationship with you and hope to provide you with the best service and solution. Let us make a better world for our industry!



Contact us

Tel: +86-755-8981 8866 Fax: +86-755-8427 6832

Email & Skype: info@chipsmall.com Web: www.chipsmall.com

Address: A1208, Overseas Decoration Building, #122 Zhenhua RD., Futian, Shenzhen, China

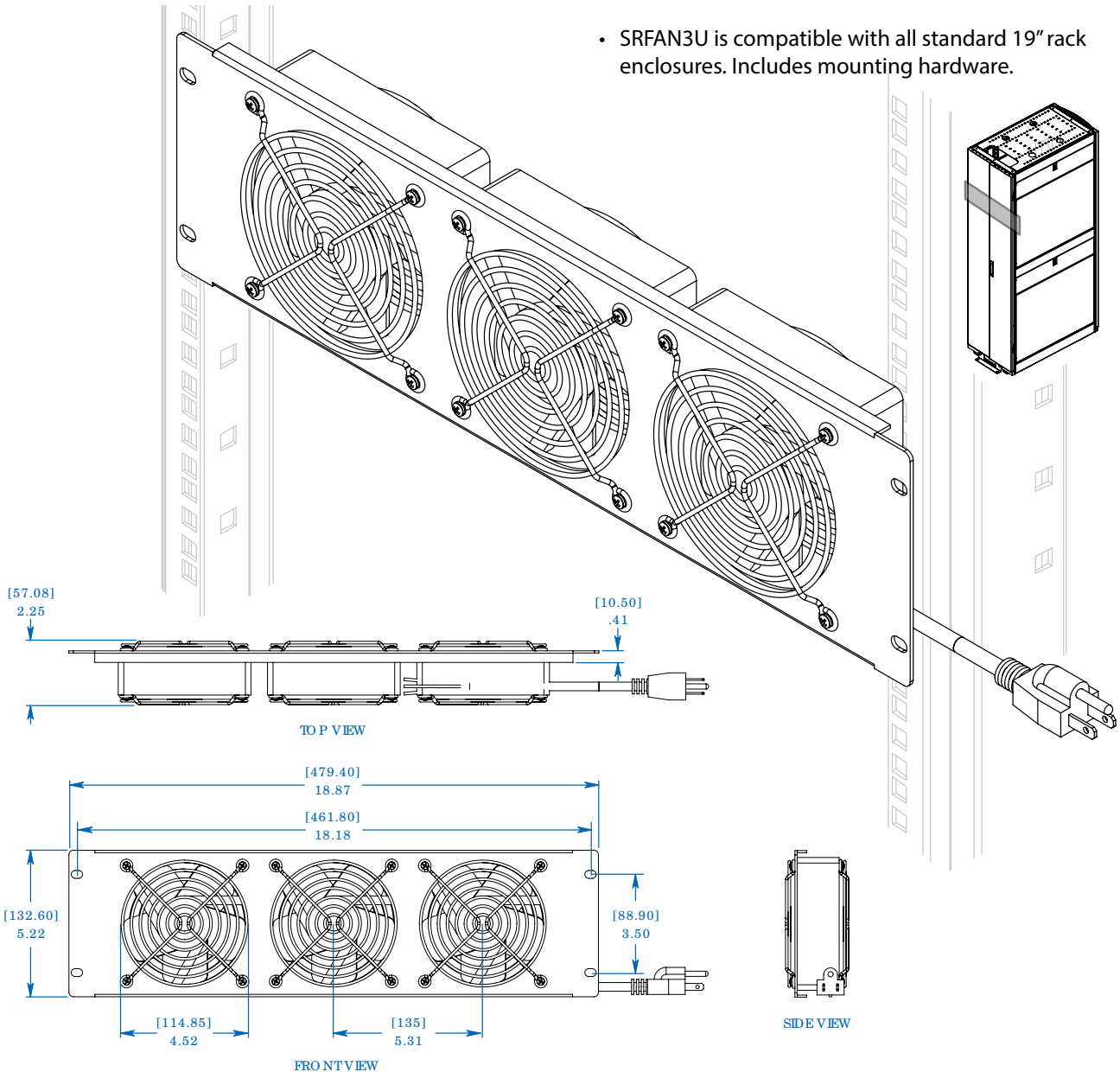


MODEL:

SRFAN3U

3U Panel-Mounted Triple Fan Accessory

- SRFAN3U is compatible with all standard 19" rack enclosures. Includes mounting hardware.



Specifications



Model	SRFAN3U
Material of Construction (Base Plate):	Cold Rolled Steel
Fan Type:	4 in. - 120V, high-performance (x3)
Airflow (Cubic Feet per Minute):	210
Input Connector:	5-15P
Cord Length:	6 ft. (1.8 m)
Unit Dimensions (H x W x D):	5 x 18.87 x 19 in (132.6 x 479.3 x 479.4 mm)
Shipping Dimensions (H x W x D):	6 x 3 x 20 in (152 x 76 x 508 mm)
Unit Weight:	5.5 lb (2.5 kg)
Shipping Weight:	7.7 lb (3.5 kg)
Certification:	RoHS

Tripp Lite has a policy of continuous improvement. Specifications are subject to change without notice.



1111 W. 35th Street
Chicago, IL 60609 USA
773.869.1234
www.tripplite.com

Dimensions: [mm] INCHES