



Chipsmall Limited consists of a professional team with an average of over 10 year of expertise in the distribution of electronic components. Based in Hongkong, we have already established firm and mutual-benefit business relationships with customers from,Europe,America and south Asia,supplying obsolete and hard-to-find components to meet their specific needs.

With the principle of “Quality Parts,Customers Priority,Honest Operation,and Considerate Service”,our business mainly focus on the distribution of electronic components. Line cards we deal with include Microchip,ALPS,ROHM,Xilinx,Pulse,ON,Everlight and Freescale. Main products comprise IC,Modules,Potentiometer,IC Socket,Relay,Connector.Our parts cover such applications as commercial,industrial, and automotives areas.

We are looking forward to setting up business relationship with you and hope to provide you with the best service and solution. Let us make a better world for our industry!



Contact us

Tel: +86-755-8981 8866 Fax: +86-755-8427 6832

Email & Skype: info@chipsmall.com Web: www.chipsmall.com

Address: A1208, Overseas Decoration Building, #122 Zhenhua RD., Futian, Shenzhen, China



MODEL:

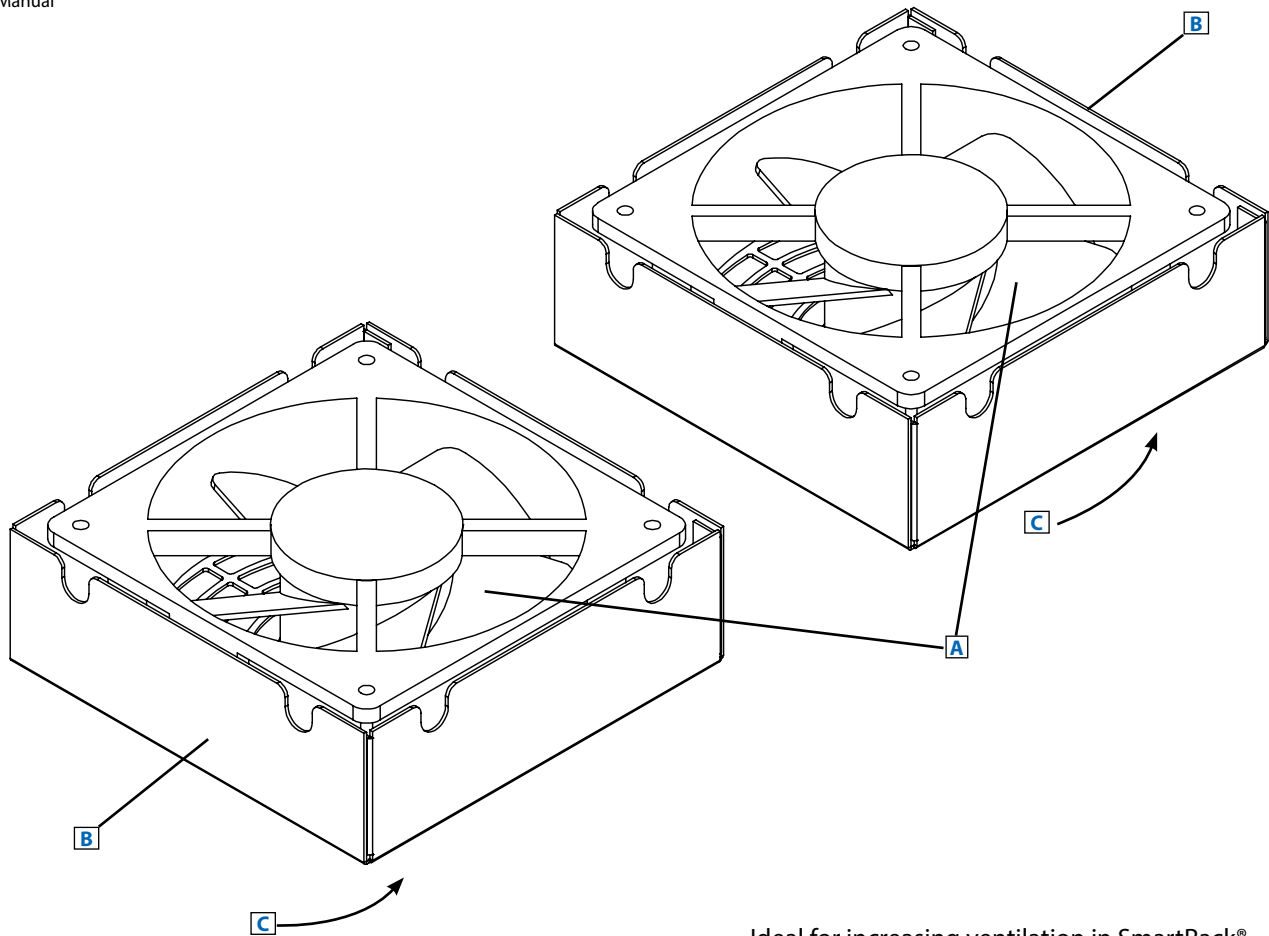
SRFANWM

Wall-Mount Roof Fan Kit

- A** 120V High-Performance Fans
- B** All-Metal Housing
- C** 3-Ft. Power Cord with 5-15P Plug (Not Pictured)

Kit Includes:

- (2) 120V High-Performance Fans
- (2) Fan Guards
- Mounting Hardware
- Owner's Manual



- Ideal for increasing ventilation in SmartRack® Wall-Mount Rack Enclosures
- Can be installed inside or outside of an enclosure
- Compatible enclosures: SRW6U, SRW9U, SRW10US, SRW12U, SRW12US, SRW12USG, SRW18US, SRW26US, and all others that specify the use of this accessory

SEE NEXT PAGE FOR DETAILED UNIT MEASUREMENTS

Specifications

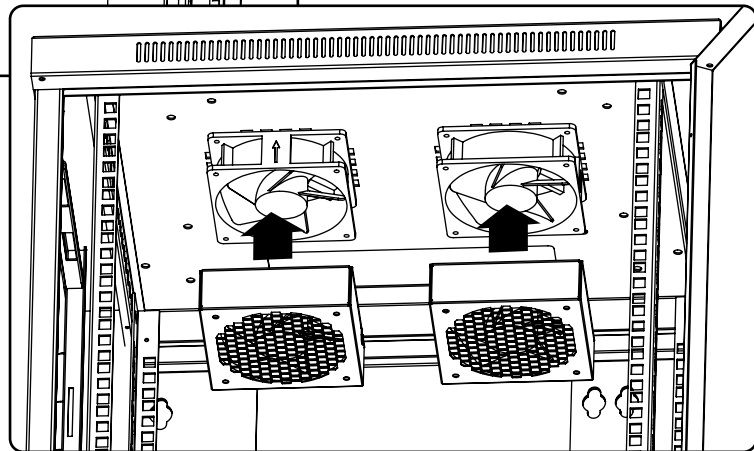
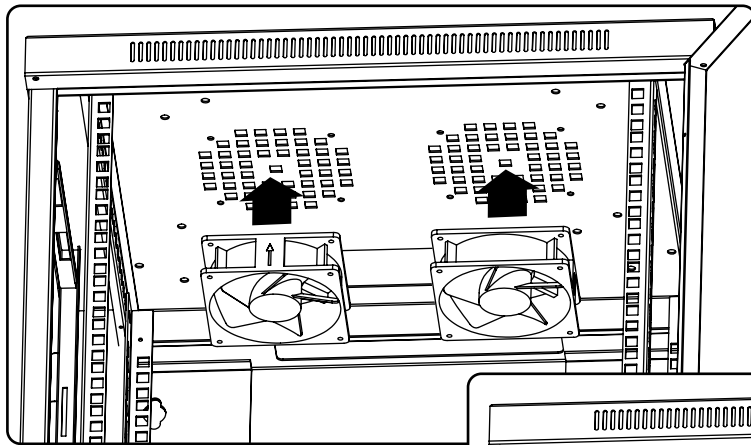
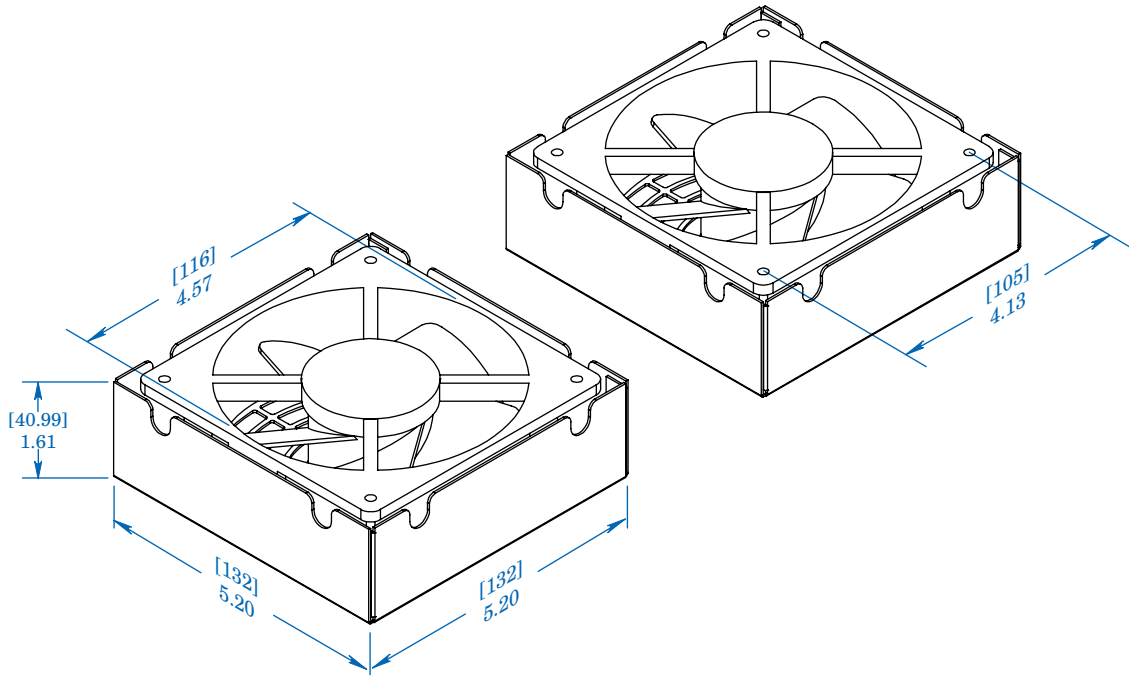
Model	SRFANWM
Fan Type:	4 in. - 120V, high-performance (x2)
Shipping Dimensions (H x W x D):	2.5 x 7.25 x 11.5 in. (63.5 x 184.15 x 292.1 mm)
Shipping Weight:	3.8 lb (1.71 kg)
Standards:	Tested to RoHS

Tripp Lite has a policy of continuous improvement. Specifications are subject to change without notice.



TRIPP-LITE

1111 W. 35th Street
Chicago, IL 60609 USA
773.869.1234
www.tripplite.com



Dimensions: [mm] INCHES

Tripp Lite has a policy of continuous improvement. Specifications are subject to change without notice.

MODEL:
SRFANWM

TRIPP·LITE

1111 W. 35th Street
Chicago, IL 60609 USA
773.869.1234

www.triplite.com