



Chipsmall Limited consists of a professional team with an average of over 10 year of expertise in the distribution of electronic components. Based in Hongkong, we have already established firm and mutual-benefit business relationships with customers from,Europe,America and south Asia,supplying obsolete and hard-to-find components to meet their specific needs.

With the principle of “Quality Parts,Customers Priority,Honest Operation,and Considerate Service”,our business mainly focus on the distribution of electronic components. Line cards we deal with include Microchip,ALPS,ROHM,Xilinx,Pulse,ON,Everlight and Freescale. Main products comprise IC,Modules,Potentiometer,IC Socket,Relay,Connector.Our parts cover such applications as commercial,industrial, and automotives areas.

We are looking forward to setting up business relationship with you and hope to provide you with the best service and solution. Let us make a better world for our industry!



Contact us

Tel: +86-755-8981 8866 Fax: +86-755-8427 6832

Email & Skype: info@chipsmall.com Web: www.chipsmall.com

Address: A1208, Overseas Decoration Building, #122 Zhenhua RD., Futian, Shenzhen, China



MAT'L: NYLON 6 (RMS-52) PART NO.	MAT'L: NYLON 6 UL94 V-0 (RMS-103) PART NO.	HOLE DIA. "G"	THICKNESS "F"	"A" ±.012 (±0.3)	"B" ±.008 (±0.2)	"C" ±.012 (±0.3)	"D"	"E" ±.012 (±0.3)	FIG. NO.
SRH-3035	SRHVO-3035	.122-.126 (3.1-3.2)	.039-.079 (1.0-2.0)	.252 (6.4)	.039 (1.0)	.14 (3.5)	.118 (3.0)	.26 (6.5)	1
SRH-3045	SRHVO-3045		.079-.118 (2.0-3.0)			.18 (4.5)			
SRH-3055	SRHVO-3055		.118-.157 (3.0-4.0)			.22 (5.5)			
SRH-3065	SRHVO-3065		.157-.197 (4.0-5.0)	.236 (6.0)		.26 (6.5)		.39 (10.0)	
SRH-3080	SRHVO-3080		.197-.256 (5.0-6.5)	.252 (6.4)		.31 (8.0)			
SRH-3090	SRHVO-3090		.256-.295 (6.5-7.5)	.252 (6.4)		.35 (9.0)			
SRH-3100	SRHVO-3100		.295-.335 (7.5-8.5)	.252 (6.4)		.252 (6.4)		.39 (10.0)	
SRH-3535	SRHVO-3535	.039-.079 (1.0-2.0)	.236 (6.0)	.14 (3.5)					
SRH-3545	SRHVO-3545	.079-.118 (2.0-3.0)		.18 (4.5)					
SRH-3555	SRHVO-3555	.118-.157 (3.0-4.0)		.22 (5.5)					
SRH-3560	SRHVO-3560	.138-.177 (3.5-4.5)	.236 (6.0)	.24 (6.0)	.39 (10.0)				
SRH-3570	SRHVO-3570	.177-.217 (4.5-5.5)		.28 (7.0)					
SRH-3580	SRHVO-3580	.217-.256 (5.5-6.5)		.31 (8.0)					

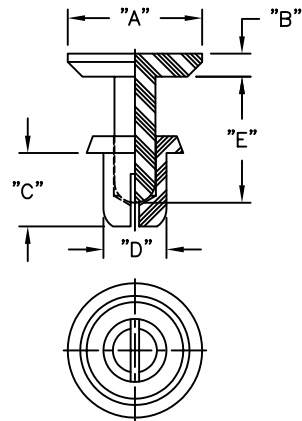


FIG. 1

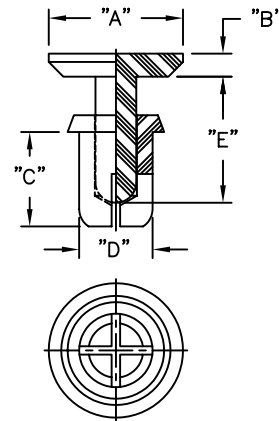
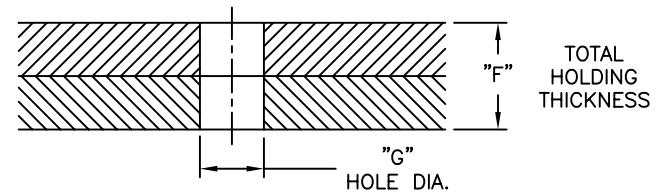


FIG. 2



E	ADDED SRH-3090, -3100, -3535, -3580, TOLERANCES, COLUMN SRHVO; CHANGED FILE NO. RMS COLUMN REMOVED AND RMS NO. CHANGED	SM 10.31.01	TITLE: SNAP RIVET, H-TYPE				DWG IN IN (MM)	
D	DIM "A" COLUMN CHANGED	J.L. 2.6.98	TOLERANCES UNLESS NOTED	FILE # SRH	DWN: P.B.	APP:	FINAL	
C	CHANGED "A" DIM COLUMN (ECN 131)	PB 05.09.95	.XX=±.010	MAT'L: SEE NOTES	DT: 08-08-94	DT:	PART #	PRINT TYPE
B	RMS NO. ADDED TO TABLE	PB 08.30.94	.XXX=±.005	RE: RICHCO, INC.	RICHCO INC. PO BOX 804238, CHICAGO, 60680			
A	COMPLETE RE-DRAW, ADDED SRH-3545 3555, 3560, 3570	PB 08.08.94	FRAC=±1/64	(773) 539-4060				
REV	DESCRIPTION	ENGR DATE	ANG=±1°					