



Chipsmall Limited consists of a professional team with an average of over 10 year of expertise in the distribution of electronic components. Based in Hongkong, we have already established firm and mutual-benefit business relationships with customers from,Europe,America and south Asia,supplying obsolete and hard-to-find components to meet their specific needs.

With the principle of “Quality Parts,Customers Priority,Honest Operation,and Considerate Service”,our business mainly focus on the distribution of electronic components. Line cards we deal with include Microchip,ALPS,ROHM,Xilinx,Pulse,ON,Everlight and Freescale. Main products comprise IC,Modules,Potentiometer,IC Socket,Relay,Connector.Our parts cover such applications as commercial,industrial, and automotives areas.

We are looking forward to setting up business relationship with you and hope to provide you with the best service and solution. Let us make a better world for our industry!



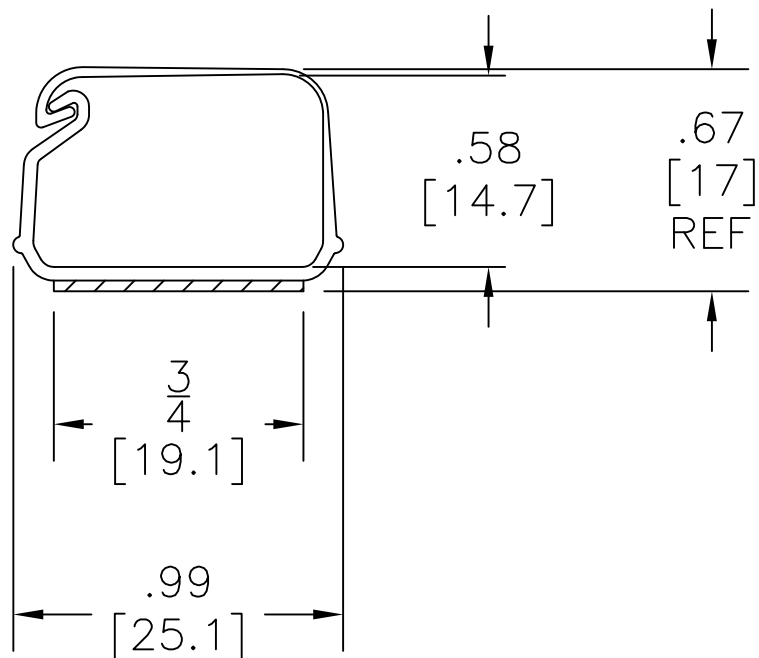
Contact us

Tel: +86-755-8981 8866 Fax: +86-755-8427 6832

Email & Skype: info@chipsmall.com Web: www.chipsmall.com

Address: A1208, Overseas Decoration Building, #122 Zhenhua RD., Futian, Shenzhen, China





NOTES:

1. MATERIAL: RIGID PVC (RMS-04)
2. COLOR: WHITE
3. TAPE: 3/4 x 1/32 ACRYLIC ADHESIVE (RMS-15)
4. WALL THICKNESS: .040±007 [1mm] TYPICAL
5. LENGTH: 72±.25 [1829mm]

G	SEE CO 200280 FOR CHANGES	SK 11.12.08	TITLE: SURFACE RACEWAY L5			⊕	▭	DWG IN	
F	SEE CO 200204 FOR CHANGES	SK 06.25.08						IN.[MM]	
E	METRIC EQUIVALENTS CORRECTED (ECN #461)	SM 09.20.02	TOLERANCES UNLESS NOTED	FILE # SRL-5	DWN: DLC	DT: 10/4/01	FINAL		
D	PRINT CORRECTED - .58 WAS .29	SJ 9.10.02	.XX=±.02	MAT'L: SEE NOTES:	CHKD:	ENG:	PART #		PRINT TYPE
C	TAPE WIDTH WAS 3/8 IN "NOTES"	SJ 5.6.02	.XXX=±.015	RE: RICHCO,INC	RICHCO INC.		SRL1-5-WH6A		
B	ALL DIMENSIONS CORRECTED TO 1:1	SJ 4.30.02	FRAC=±1/32	ENG@RICHCO-INC.COM				CA	
A	CHANGED .375 TO 3/8	DLC 3.07.02	ANG=1°	(773) 539-4060					
REV	DESCRIPTION	ENGR DATE							