



Chipsmall Limited consists of a professional team with an average of over 10 year of expertise in the distribution of electronic components. Based in Hongkong, we have already established firm and mutual-benefit business relationships with customers from,Europe,America and south Asia,supplying obsolete and hard-to-find components to meet their specific needs.

With the principle of “Quality Parts,Customers Priority,Honest Operation,and Considerate Service”,our business mainly focus on the distribution of electronic components. Line cards we deal with include Microchip,ALPS,ROHM,Xilinx,Pulse,ON,Everlight and Freescale. Main products comprise IC,Modules,Potentiometer,IC Socket,Relay,Connector.Our parts cover such applications as commercial,industrial, and automotives areas.

We are looking forward to setting up business relationship with you and hope to provide you with the best service and solution. Let us make a better world for our industry!



## Contact us

Tel: +86-755-8981 8866 Fax: +86-755-8427 6832

Email & Skype: info@chipsmall.com Web: www.chipsmall.com

Address: A1208, Overseas Decoration Building, #122 Zhenhua RD., Futian, Shenzhen, China



HONEYWELL  
PART NUMBER



REV	DOCUMENT	CHANGED BY	CHECK
A	0016321	LKM 24OCT05	VA

LAMP   
(A=AMBER, G=GREEN, R=RED, N=NONE)

LAMP   
(A=AMBER, G=GREEN, R=RED, N=NONE)

ILLUMINATION STYLE

CIRCUITRY

NUMBER OF POLES  
(1=SP-SINGLE POLE, USES TERMINALS 1-2-3)  
(2=DP-DOUBLE POLE, USES TERMINALS 1-2-3 AND 4-5-6)

TERMINAL STYLE

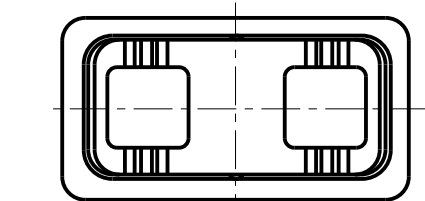
LED VOLTAGE  
(2=6V, 3=12V, 4=24V)

ACTUATOR COLOR  
(B=BLACK, G=GRAY, R=RED, W=WHITE)

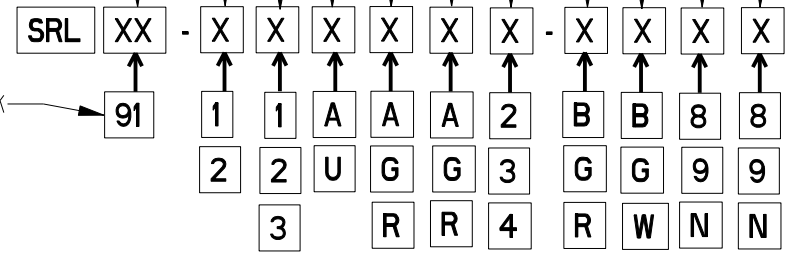
BASE/BEZEL COLOR  
(B=BLACK, G=GRAY, W=WHITE)

LENS STYLE AND COLOR   
8 = WHITE TRANSLUCENT BAR  
9 = WHITE TRANSLUCENT SQUARE  
N=NONE

LENS STYLE AND COLOR   
8 = WHITE TRANSLUCENT BAR  
9 = WHITE TRANSLUCENT SQUARE  
N=NONE

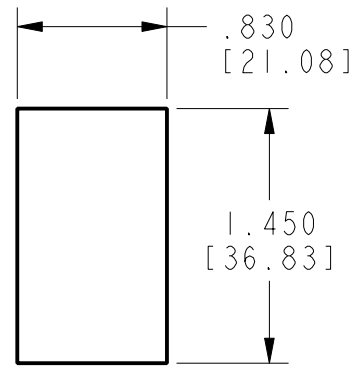
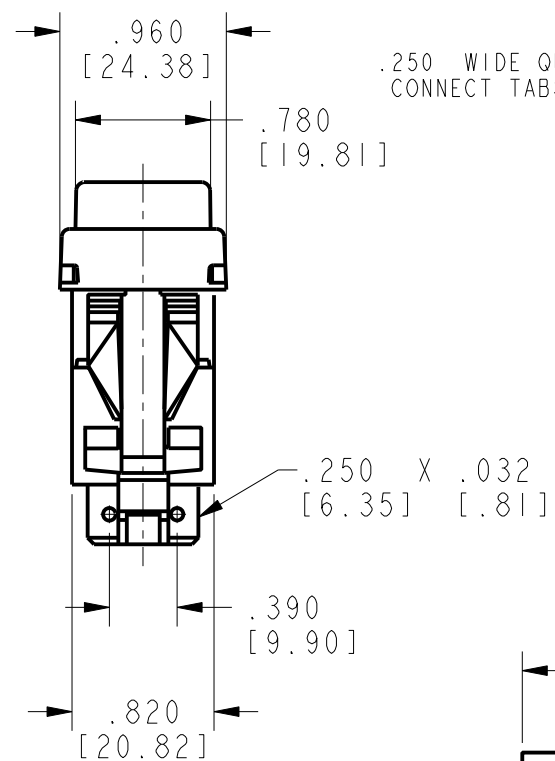
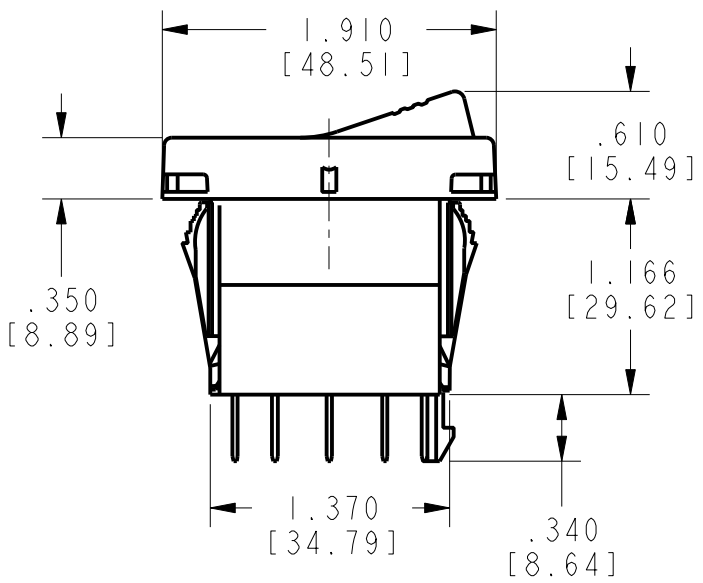


POS1 POS2 POS3



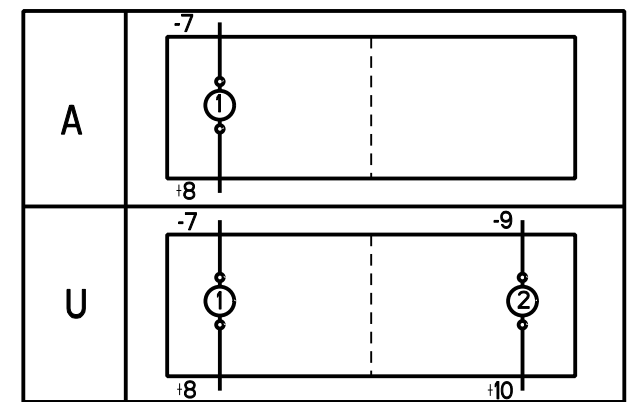
.250 WIDE QUICK  
CONNECT TABS

ELECTRICAL RATINGS AND APPROVALS	
10A 250VAC 1/2HP	15A 125VAC 1/2HP
UL, CSA	



**MOUNTING HOLE**  
PANEL THICKNESS  
(SNAP-IN BRACKET)  
.030 MIN - .187 MAX  
[.76] [4.75]

	CIRCUIT MADE WITH ROCKER IN		
	POSITION 3 (1&2, 4&5)	POSITION 2	POSITION 1 (2&3, 5&6)
1	ON	OFF	ON
2	OFF	NONE	ON
3	ON	NONE	ON
4	(OFF)	NONE	ON
5	(ON)	OFF	ON
6	OFF	NONE	(ON)
7	(ON)	OFF	(ON)
8	(ON)	NONE	ON



ILLUMINATION CIRCUIT DIAGRAMS

- 1 - OPERATING TEMPERATURE RANGE : -40°F TO +185°F (-40°C TO +85°C)
- 2 - ELECTRICAL LIFE : 50,000 CYCLES MOMENTARY, 100,000 CYCLES MAINTAINED
- 3 - MECHANICAL LIFE : 150,000 CYCLES MIN
- SEE DIAGRAM FOR CATALOGING SCHEME
- PARENTHESIS DENOTE MOMENTARY ACTION
- 6 - SEALED TO IP68
- ABOVE TERMINALS 1 AND 4
- ABOVE TERMINALS 3 AND 6
- REFER TO CIRCUIT DIAGRAMS

DESIGN UNITS: INCH	
TOLERANCES UNLESS NOTED:	
NO PLACE	X ± 0.040
ONE PLACE	.X ± 0.030
TWO PLACE	.XX ± 0.015
THREE PLACE	.XXX ± 0.015
FOUR PLACE	.XXXX ± 0.005
ANGLES	X ± 2

THIRD ANGLE PROJECTION



DRAWN	TSG	14 JUL 05
CHECK	-	-
THIS DRAWING COVERS A PROPRIETARY ITEM AND IS THE PROPERTY OF HONEYWELL. THIS DRAWING IS NOT TO BE COPIED OR USED WITHOUT THE PERMISSION OF HONEYWELL.		
INTERPRET PER ASME Y14.5M-1994 OTHER HONEYWELL ENGINEERING STANDARDS MAY APPLY		
Pro/ENGINEER	2D	

<b>Honeywell</b>			
TITLE <b>SWITCH , ROCKER</b>			
SIZE	TYPE	DRAWING NAME	REV
<b>B</b>	<b>I</b>	<b>SRL SERIES CHART 1</b>	<b>A</b>
SCALE	-	SHEET	1 OF 1