



Chipsmall Limited consists of a professional team with an average of over 10 year of expertise in the distribution of electronic components. Based in Hongkong, we have already established firm and mutual-benefit business relationships with customers from,Europe,America and south Asia,supplying obsolete and hard-to-find components to meet their specific needs.

With the principle of “Quality Parts,Customers Priority,Honest Operation,and Considerate Service”,our business mainly focus on the distribution of electronic components. Line cards we deal with include Microchip,ALPS,ROHM,Xilinx,Pulse,ON,Everlight and Freescale. Main products comprise IC,Modules,Potentiometer,IC Socket,Relay,Connector.Our parts cover such applications as commercial,industrial, and automotives areas.

We are looking forward to setting up business relationship with you and hope to provide you with the best service and solution. Let us make a better world for our industry!



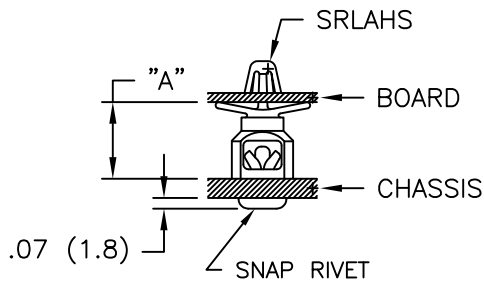
Contact us

Tel: +86-755-8981 8866 Fax: +86-755-8427 6832

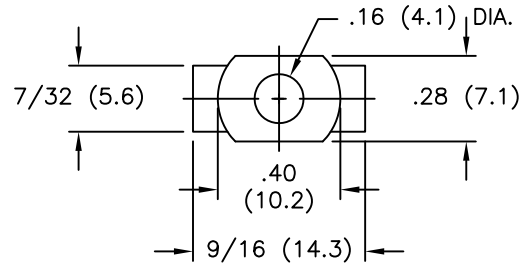
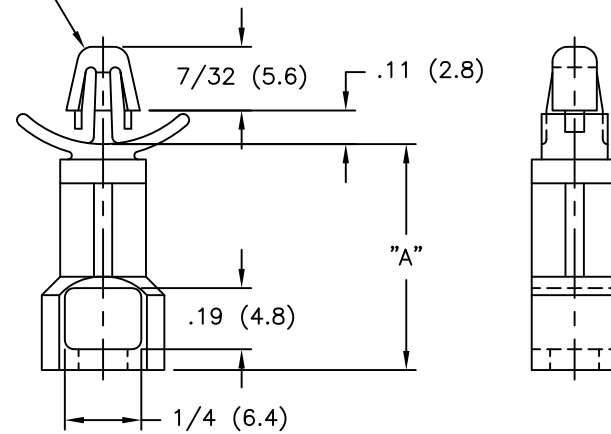
Email & Skype: info@chipsmall.com Web: www.chipsmall.com

Address: A1208, Overseas Decoration Building, #122 Zhenhua RD., Futian, Shenzhen, China





TO SNAP-LOCK IN A $.187 \pm .003$
 (4.75 ± 0.08) DIA. HOLE IN A
 $.031-.078$ (0.79-1.98) PANEL THICKNESS



PART NO.	"A"
SRLAHS-7-01	7/16 (11.1)
SRLAHS-8-01	1/2 (12.7)
SRLAHS-10-01	5/8 (15.9)
SRLAHS-12-01	3/4 (19.1)
SRLAHS-14-01	7/8 (22.2)
SRLAHS-16-01	1 (25.4)

USE RICHCO RIVET NO.	FOR CHASSIS THICKNESS
SR-4050	.026-.062 (0.7-1.6)
SR-4060	.062-.105 (1.5-2.7)
SR-4070	.105-.145 (2.7-3.7)
SR-4080	.145-.184 (3.7-4.7)
SR-4090	.184-.223 (4.7-5.7)
SR-4100	.223-.263 (5.7-6.7)
SR-4120	.282-.341 (7.2-8.7)

NOTES:

1. MATERIAL: NYLON 6/6 UL94 V-2 (RMS-01).
 NYLON 6/6 UL94 V-0 (RMS-19) AVAILABLE,
 TO ORDER REPLACE "-01" WITH "-19"
2. COLOR: NATURAL.
3. $.157-.161$ (4.0-4.1) DIA. HOLE IN
 CHASSIS REQUIRED FOR APPLICATION

TITLE: SNAP RIVET LOCKING ARROWHEAD SUPPORT				DWG IN IN (MM)		FINAL			
E	SEE CO 200628 FOR CHANGES	SK 03.25.11	TOLERANCES UNLESS NOTED	FILE # SRLAHS	DWN: P.B.	APP:	PART #		PRINT TYPE
D	SEE CO 200401 FOR CHANGES	SK 09.08.09	.XX=±.010	MAT'L: SEE NOTES	DT: 05-03-94	DT:	SEE TABLE		CA
C	SEE ECN #1253 FOR CHANGES	SK 11.29.06	.XXX=±.005	RE: RICHCO, INC.	RICHCO INC. PO BOX 804238, CHICAGO, 60680 (773) 539-4060				
B	SEE ECN #1002 FOR CHANGES	SK 05.11.05	FRAC=±1/64						
A	UPDATED NOTES AND CHANGED FILE NO.	SM 08.20.02	ANG=±1°						
REV	DESCRIPTION	ENGR DATE							