



Chipsmall Limited consists of a professional team with an average of over 10 year of expertise in the distribution of electronic components. Based in Hongkong, we have already established firm and mutual-benefit business relationships with customers from,Europe,America and south Asia,supplying obsolete and hard-to-find components to meet their specific needs.

With the principle of “Quality Parts,Customers Priority,Honest Operation,and Considerate Service”,our business mainly focus on the distribution of electronic components. Line cards we deal with include Microchip,ALPS,ROHM,Xilinx,Pulse,ON,Everlight and Freescale. Main products comprise IC,Modules,Potentiometer,IC Socket,Relay,Connector.Our parts cover such applications as commercial,industrial, and automotives areas.

We are looking forward to setting up business relationship with you and hope to provide you with the best service and solution. Let us make a better world for our industry!



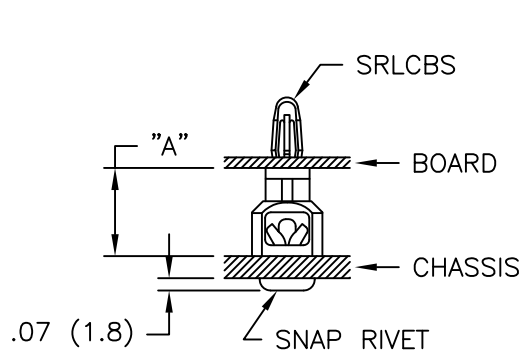
Contact us

Tel: +86-755-8981 8866 Fax: +86-755-8427 6832

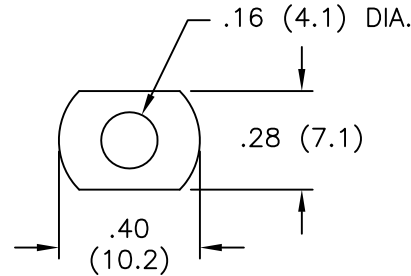
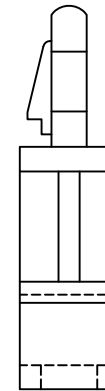
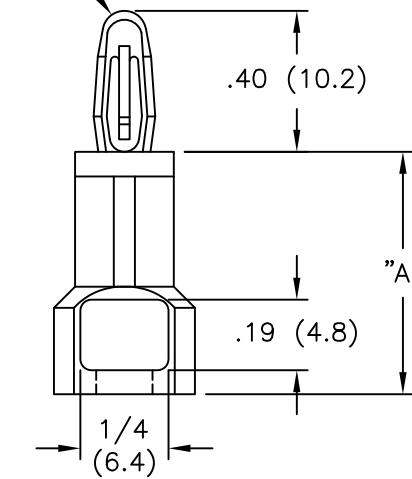
Email & Skype: info@chipsmall.com Web: www.chipsmall.com

Address: A1208, Overseas Decoration Building, #122 Zhenhua RD., Futian, Shenzhen, China





TO SNAP-LOCK IN A $.156 \pm .003$
 (4.0 ± 0.08) DIA. HOLE, IN A
 $.062$ (1.6) THICK PANEL/BOARD



NOTES:

1. MATERIAL: NYLON 6/6 (RMS-01).
 FLAME RETARDANT NYLON (RMS-19),
 AVAILABLE BY SPECIAL ORDER ONLY.
2. COLOR: NATURAL.
3. $.157$ TO $.161$ (4.0 TO 4.1) DIA.
 HOLE IN CHASSIS REQUIRED FOR
 APPLICATION

| PART NO. | "A" |
|--------------|-------------|
| SRLCBS-6-01 | 3/8 (9.5) |
| SRLCBS-7-01 | 7/16 (11.1) |
| SRLCBS-8-01 | 1/2 (12.7) |
| SRLCBS-10-01 | 5/8 (15.9) |
| SRLCBS-12-01 | 3/4 (19.1) |
| SRLCBS-14-01 | 7/8 (22.2) |
| SRLCBS-16-01 | 1 (25.4) |

| USE RICHCO RIVET NO. | FOR CHASSIS THICKNESS |
|----------------------|------------------------|
| SR-4050 | .026-.062 (0.7-1.6) |
| SR-4060 | .062-.105 (1.5-2.7) |
| SR-4070 | .105-.145 (2.7-3.7) |
| SR-4080 | .145-.184 (3.7-4.7) |
| SR-4090 | .184-.223 (4.7-5.7) |
| SR-4100 | .223-.263 (5.7-6.7) |
| SR-4120 | .282-.341 (7.2-8.7) |

| | | | | | | | | | |
|---|------------------------------------|-------------|-------------------------|------------------|--|-------|-----------|----|------------|
| TITLE: SNAP RIVET LOCKING CIRCUIT BOARD SUPPORT | | | | DWG IN IN (MM) | | FINAL | | PR | |
| E | SEE CO 200401 FOR CHANGES | SK 09.08.09 | TOLERANCES UNLESS NOTED | FILE # SRLCBS | DWN: P.B. | APP: | PART # | | PRINT TYPE |
| D | SEE ECN #1253 FOR CHANGES | SK 11.29.06 | .XX= $\pm .010$ | MAT'L: SEE NOTES | DT: 05-03-94 | DT: | SEE TABLE | | CA |
| C | SEE ECN #1002 FOR CHANGES | SK 05.11.05 | .XXX= $\pm .005$ | RE: RICHCO, INC. | RICHCO INC. PO BOX 804238, CHICAGO, 60680 | | | | |
| B | UPDATED NOTES AND CHANGED FILE NO. | SM 08.20.02 | FRAC= $\pm 1/64$ | | | | | | |
| A | CONVERTED TO ACAD | PB 05.03.94 | ANG= $\pm 1'$ | | | | | | |
| REV | DESCRIPTION | ENGR DATE | | | | | | | |