



Chipsmall Limited consists of a professional team with an average of over 10 year of expertise in the distribution of electronic components. Based in Hongkong, we have already established firm and mutual-benefit business relationships with customers from,Europe,America and south Asia,supplying obsolete and hard-to-find components to meet their specific needs.

With the principle of “Quality Parts,Customers Priority,Honest Operation,and Considerate Service”,our business mainly focus on the distribution of electronic components. Line cards we deal with include Microchip,ALPS,ROHM,Xilinx,Pulse,ON,Everlight and Freescale. Main products comprise IC,Modules,Potentiometer,IC Socket,Relay,Connector.Our parts cover such applications as commercial,industrial, and automotives areas.

We are looking forward to setting up business relationship with you and hope to provide you with the best service and solution. Let us make a better world for our industry!



Contact us

Tel: +86-755-8981 8866 Fax: +86-755-8427 6832

Email & Skype: info@chipsmall.com Web: www.chipsmall.com

Address: A1208, Overseas Decoration Building, #122 Zhenhua RD., Futian, Shenzhen, China

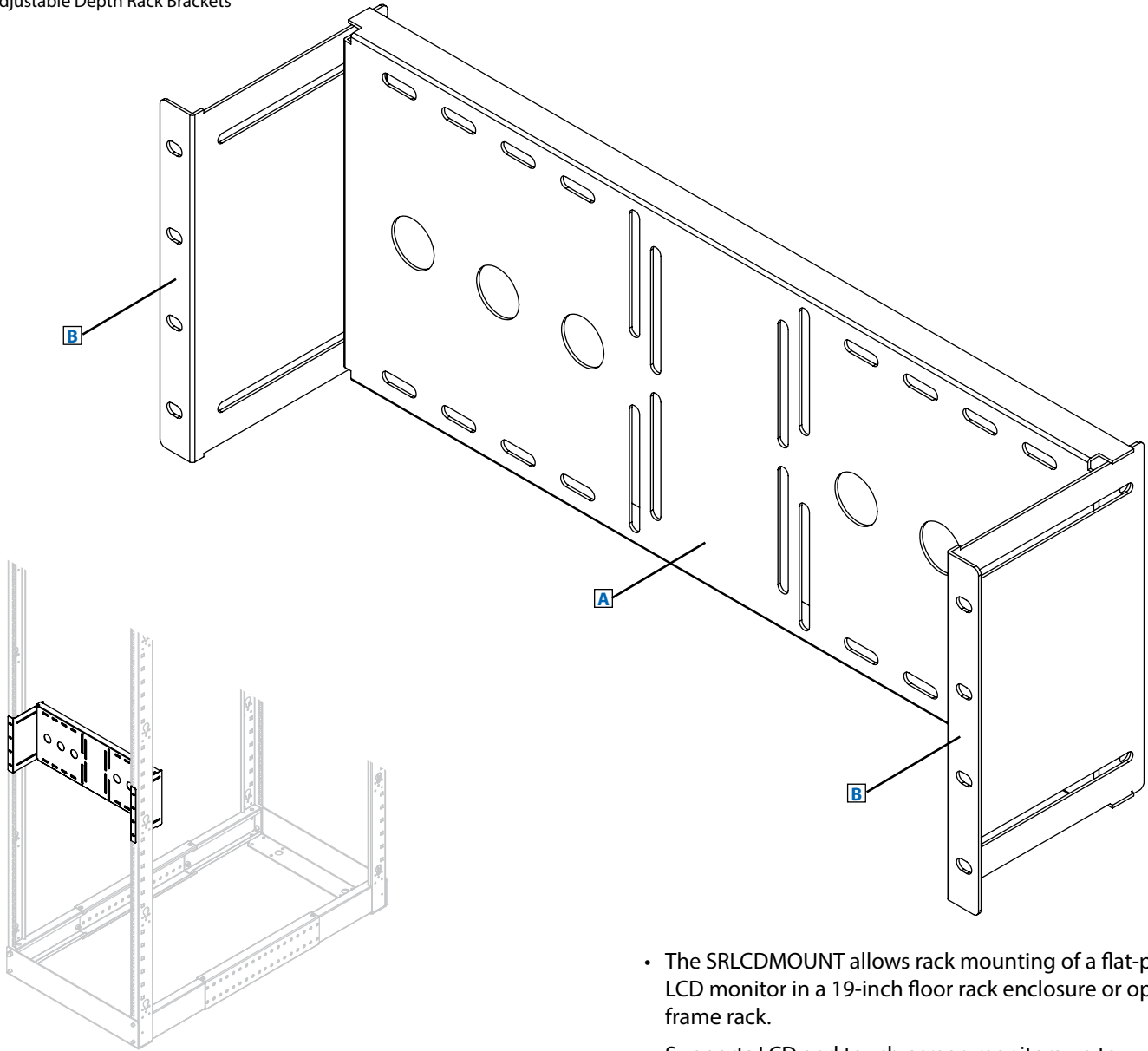


MODEL:

SRLCDMOUNT

4U LCD Monitor Rack-Mount Bracket

- A** LCD Mounting Plate
- B** Adjustable Depth Rack Brackets



- The SRLCDMOUNT allows rack mounting of a flat-panel LCD monitor in a 19-inch floor rack enclosure or open frame rack.
- Supports LCD and touch-screen monitors up to 17-19 inches.
- Fits 75 x 75, 100 x 100 and 100 x 150 VESA patterns.

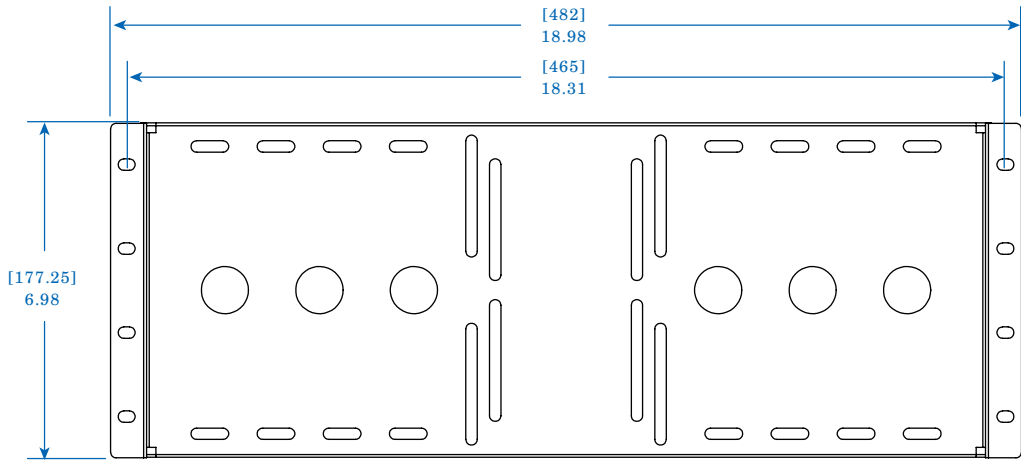
SEE NEXT PAGE FOR DETAILED UNIT MEASUREMENTS

Specifications

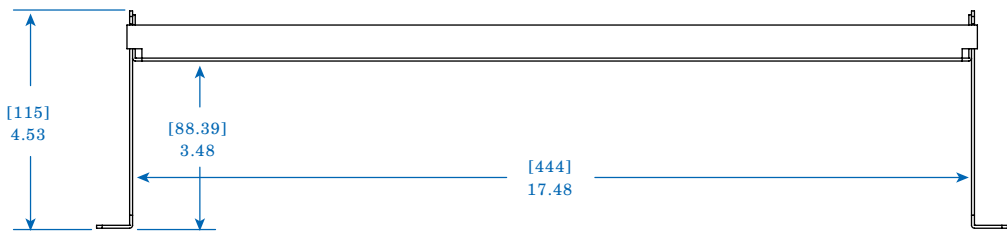
Model	SRLCDMOUNT
Rack Height	4U
VESA Pattern	100x100; 100x150; 75x75
Weight Capacity	40 lb. / 18 kg
Unit Dimensions (H x W x D)	6.97 x 18.98 x 4.53 in. / 177 x 482 x 115 mm
Unit Weight	3.57 lb. / 1.6 kg
Shipping Dimensions	8 x 19.2 x 20.8 in. / 203 x 488 x 528 mm
Color	Black



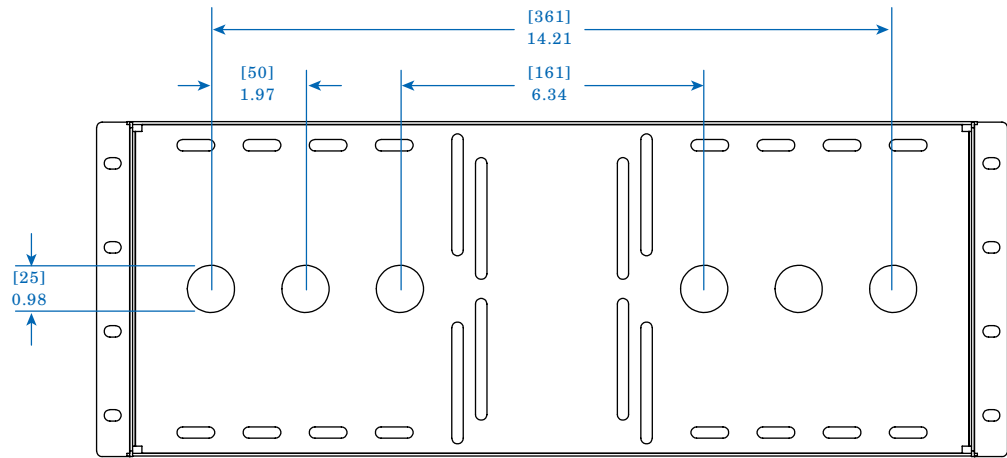
1111 W. 35th Street
Chicago, IL 60609 USA
773.869.1234
www.tripplite.com



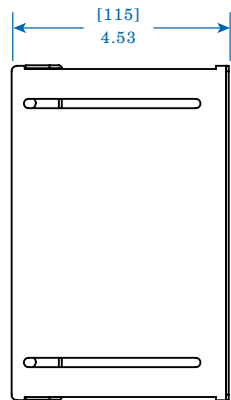
FRONT VIEW



TOP VIEW



BACK VIEW



SIDE VIEW

Dimensions: [mm] INCHES

Tripp Lite has a policy of continuous improvement. Specifications are subject to change without notice.

MODEL:
SRLCDMOUNT
TRIPP·LITE

1111 W. 35th Street
 Chicago, IL 60609 USA
 773.869.1234
 www.triplite.com