



Chipsmall Limited consists of a professional team with an average of over 10 year of expertise in the distribution of electronic components. Based in Hongkong, we have already established firm and mutual-benefit business relationships with customers from,Europe,America and south Asia,supplying obsolete and hard-to-find components to meet their specific needs.

With the principle of "Quality Parts,Customers Priority,Honest Operation,and Considerate Service",our business mainly focus on the distribution of electronic components. Line cards we deal with include Microchip,ALPS,ROHM,Xilinx,Pulse,ON,Everlight and Freescale. Main products comprise IC,Modules,Potentiometer,IC Socket,Relay,Connector.Our parts cover such applications as commercial,industrial, and automotives areas.

We are looking forward to setting up business relationship with you and hope to provide you with the best service and solution. Let us make a better world for our industry!



Contact us

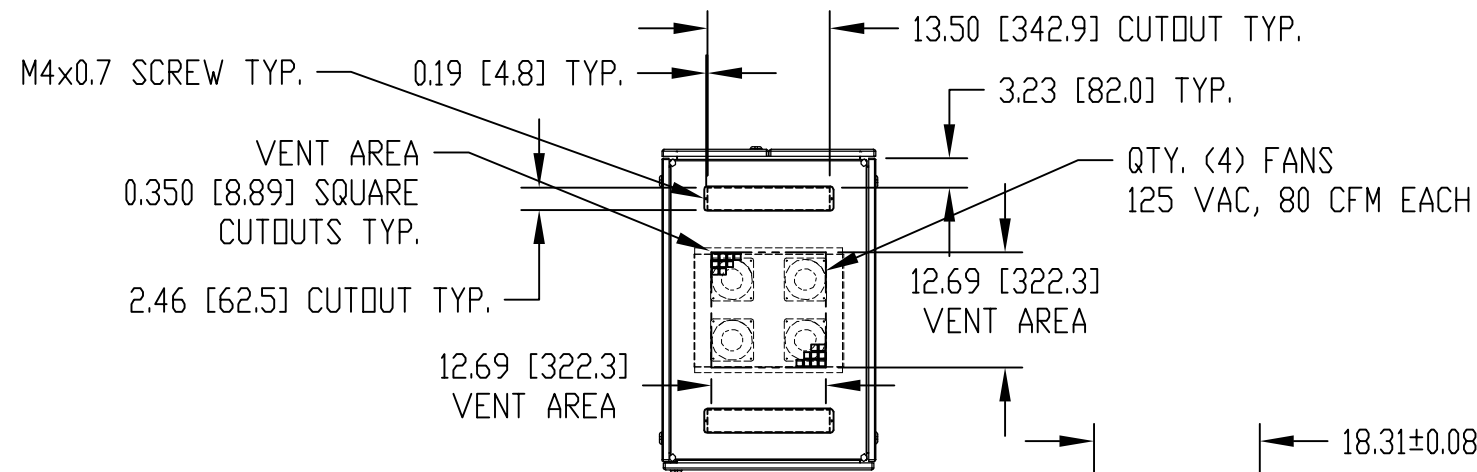
Tel: +86-755-8981 8866 Fax: +86-755-8427 6832

Email & Skype: info@chipsmall.com Web: www.chipsmall.com

Address: A1208, Overseas Decoration Building, #122 Zhenhua RD., Futian, Shenzhen, China



PART NAME	SERVER RACK PROFESSIONAL SERIES	PART No.	SRP-8131 to SRP-8137	SRP-8141 to SRP-8147	REV. DATE	3-9-12
-----------	---------------------------------	----------	----------------------	----------------------	-----------	--------

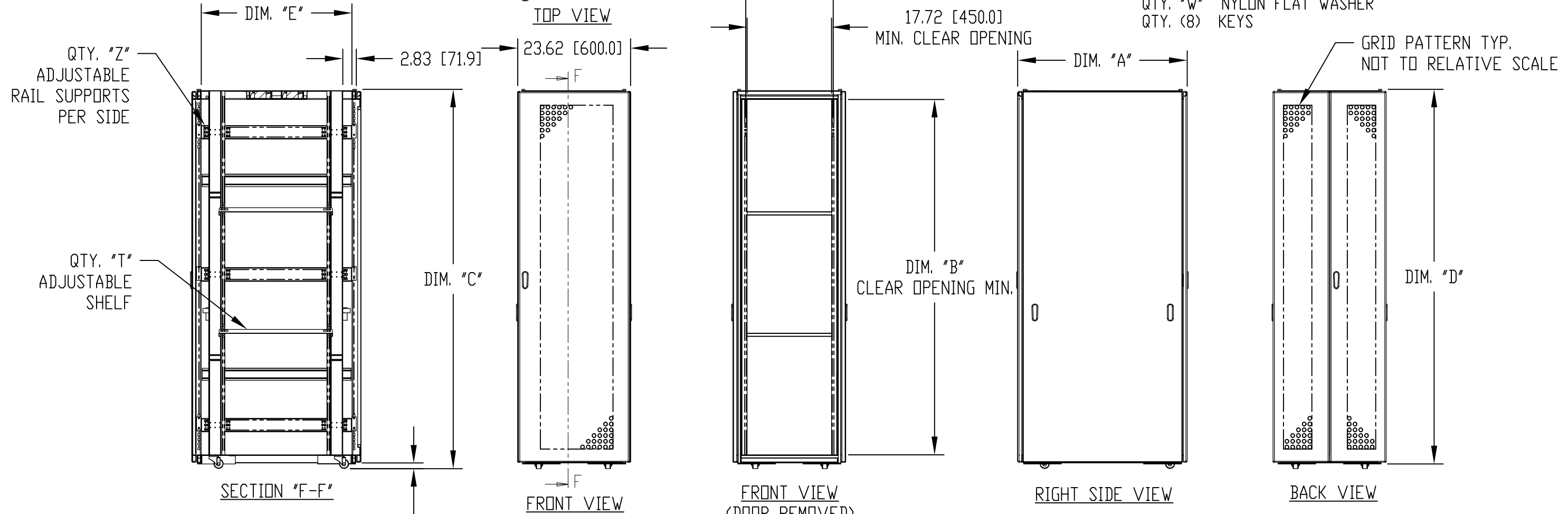


MATERIAL:
 PANEL MOUNTING RAILS - 14 GA. [2.0mm] STEEL
 SHELF - 18 GA. [1.2mm] STEEL
 ALL OTHER PARTS - 18 GA. [1.2mm] STEEL

FINISH:
 BLACK TEXTURED POWDER COATING

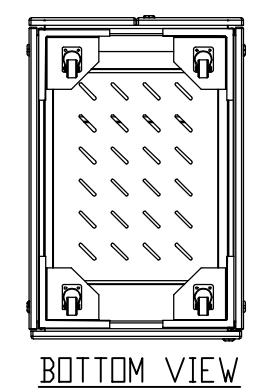
PANEL MOUNTING RAILS HAVE 0.350 [8.89] SQUARE HOLES ON E.I.A. UNIVERSAL HOLE SPACING

SUPPLIED HARDWARE KIT TO INCLUDE:
 QTY. "Y" M6 CAGE NUT
 QTY. "X" M6 PAN HEAD SCREW
 QTY. "W" NYLON FLAT WASHER
 QTY. (8) KEYS



TOLERANCES: ALL DIMENSIONS ±0.08 [2.0]

PART NO.	UNIT	"A"	"B" CLEAR MIN.	"C"	"D"	"E"	"Z"	"Y"	"X"	"W"	"T"
SRP-8131	27U	35.43 [900.0]	47.32 [1202.0]	52.32 [1329.0]	51.14 [1299]	31.56 [801.6]	2	25	25	25	1
SRP-8134	42U	35.43 [900.0]	73.90 [1877.0]	78.70 [1999.0]	77.52 [1969]	31.56 [801.6]	3	40	40	40	2
SRP-8137	45U	35.43 [900.0]	79.15 [2010.4]	83.95 [2132.3]	82.77 [2102.4]	31.56 [801.6]	3	40	40	40	2
SRP-8141	27U	43.31 [1100.0]	47.32 [1202.0]	52.32 [1329.0]	51.14 [1299]	39.43 [1001.6]	2	25	25	25	1
SRP-8144	42U	43.31 [1100.0]	73.90 [1877.0]	78.70 [1999.0]	77.52 [1969]	39.43 [1001.6]	3	40	40	40	2
SRP-8147	45U	43.31 [1100.0]	79.15 [2010.4]	83.95 [2132.3]	82.77 [2102.4]	39.43 [1001.6]	3	40	40	40	2



BOTTOM VIEW