



Chipsmall Limited consists of a professional team with an average of over 10 year of expertise in the distribution of electronic components. Based in Hongkong, we have already established firm and mutual-benefit business relationships with customers from,Europe,America and south Asia,supplying obsolete and hard-to-find components to meet their specific needs.

With the principle of “Quality Parts,Customers Priority,Honest Operation,and Considerate Service”,our business mainly focus on the distribution of electronic components. Line cards we deal with include Microchip,ALPS,ROHM,Xilinx,Pulse,ON,Everlight and Freescale. Main products comprise IC,Modules,Potentiometer,IC Socket,Relay,Connector.Our parts cover such applications as commercial,industrial, and automotives areas.

We are looking forward to setting up business relationship with you and hope to provide you with the best service and solution. Let us make a better world for our industry!



Contact us

Tel: +86-755-8981 8866 Fax: +86-755-8427 6832

Email & Skype: info@chipsmall.com Web: www.chipsmall.com

Address: A1208, Overseas Decoration Building, #122 Zhenhua RD., Futian, Shenzhen, China





Features

- Available in E6 series
- Unit height of 8.5 mm
- Current rating up to 7.5 A
- RoHS compliant*

Applications

- Input/output of DC/DC converters
- Power supplies for:
 - Portable communication equipment
 - Camcorders
 - LCD TVs

SRR1208 Series - Shielded High Power Inductors

Electrical Characteristics

| Bourns Part No. | Inductance 1 KHz | | Q Ref. | Test Frequency (MHz) | SRF Min. (MHz) | RDC Max. (Ω) | I rms Max. (A) | I sat Typ. (A) |
|-----------------|------------------|--------|--------|----------------------|----------------|--------------|----------------|----------------|
| | (μH) | Tol. % | | | | | | |
| SRR1208-2R5ML | 2.5 | ± 20 | 20 | 7.96 | 37 | 0.011 | 7.50 | 10.00 |
| SRR1208-4R5ML | 4.5 | ± 20 | 24 | 7.96 | 30 | 0.014 | 6.50 | 10.00 |
| SRR1208-6R5ML | 6.5 | ± 20 | 25 | 7.96 | 20 | 0.018 | 6.00 | 8.40 |
| SRR1208-100ML | 10 | ± 20 | 20 | 2.52 | 15 | 0.021 | 5.00 | 6.70 |
| SRR1208-120ML | 12 | ± 20 | 19 | 2.52 | 11 | 0.025 | 4.80 | 6.50 |
| SRR1208-150ML | 15 | ± 20 | 21 | 2.52 | 11 | 0.036 | 4.00 | 5.60 |
| SRR1208-180ML | 18 | ± 20 | 21 | 2.52 | 9.0 | 0.040 | 3.80 | 4.00 |
| SRR1208-220ML | 22 | ± 20 | 23 | 2.52 | 7.0 | 0.043 | 3.50 | 4.00 |
| SRR1208-270ML | 27 | ± 20 | 23 | 2.52 | 6.5 | 0.048 | 3.00 | 4.30 |
| SRR1208-330YL | 33 | ± 15 | 23 | 2.52 | 6.5 | 0.062 | 2.80 | 3.80 |
| SRR1208-390YL | 39 | ± 15 | 25 | 2.52 | 6.0 | 0.076 | 2.50 | 3.40 |
| SRR1208-470YL | 47 | ± 15 | 24 | 2.52 | 5.0 | 0.085 | 2.20 | 3.10 |
| SRR1208-560YL | 56 | ± 15 | 23 | 2.52 | 5.0 | 0.110 | 2.00 | 2.80 |
| SRR1208-680YL | 68 | ± 15 | 20 | 2.52 | 5.0 | 0.135 | 1.80 | 2.60 |
| SRR1208-820YL | 82 | ± 15 | 18 | 2.52 | 4.0 | 0.150 | 1.60 | 2.30 |
| SRR1208-101YL | 100 | ± 15 | 15 | 0.796 | 4.0 | 0.170 | 1.50 | 2.10 |
| SRR1208-121YL | 120 | ± 15 | 15 | 0.796 | 3.0 | 0.190 | 1.40 | 2.00 |
| SRR1208-151YL | 150 | ± 15 | 14 | 0.796 | 3.0 | 0.240 | 1.30 | 1.72 |
| SRR1208-181YL | 180 | ± 15 | 14 | 0.796 | 2.5 | 0.270 | 1.20 | 1.70 |
| SRR1208-221KL | 220 | ± 10 | 13 | 0.796 | 2.5 | 0.380 | 1.10 | 1.45 |
| SRR1208-271KL | 270 | ± 10 | 13 | 0.796 | 2.0 | 0.400 | 0.95 | 1.25 |
| SRR1208-331KL | 330 | ± 10 | 13 | 0.796 | 1.8 | 0.650 | 0.85 | 1.12 |
| SRR1208-391KL | 390 | ± 10 | 14 | 0.796 | 1.6 | 0.670 | 0.80 | 1.10 |
| SRR1208-471KL | 470 | ± 10 | 14 | 0.796 | 1.4 | 0.850 | 0.70 | 0.95 |
| SRR1208-561KL | 560 | ± 10 | 14 | 0.796 | 1.4 | 0.900 | 0.65 | 0.90 |
| SRR1208-681KL | 680 | ± 10 | 13 | 0.796 | 1.2 | 1.00 | 0.60 | 0.82 |
| SRR1208-821KL | 820 | ± 10 | 12 | 0.796 | 1.2 | 1.15 | 0.55 | 0.77 |
| SRR1208-102KL | 1000 | ± 10 | 11 | 0.252 | 1.0 | 1.65 | 0.50 | 0.67 |
| SRR1208-122KL | 1200 | ± 10 | 10 | 0.252 | 0.80 | 2.00 | 0.40 | 0.57 |
| SRR1208-152KL | 1500 | ± 10 | 10 | 0.252 | 0.75 | 2.35 | 0.36 | 0.55 |
| SRR1208-182KL | 1800 | ± 10 | 20 | 0.252 | 0.70 | 3.40 | 0.46 | 0.48 |
| SRR1208-222KL | 2200 | ± 10 | 20 | 0.252 | 0.65 | 4.20 | 0.40 | 0.42 |
| SRR1208-272KL | 2700 | ± 10 | 20 | 0.252 | 0.60 | 5.20 | 0.35 | 0.38 |
| SRR1208-332KL | 3300 | ± 10 | 20 | 0.252 | 0.50 | 6.40 | 0.32 | 0.35 |
| SRR1208-392KL | 3900 | ± 10 | 20 | 0.252 | 0.45 | 7.80 | 0.30 | 0.32 |
| SRR1208-472KL | 4700 | ± 10 | 20 | 0.252 | 0.42 | 9.60 | 0.28 | 0.30 |
| SRR1208-562KL | 5600 | ± 10 | 18 | 0.252 | 0.40 | 12.0 | 0.25 | 0.28 |
| SRR1208-682KL | 6800 | ± 10 | 18 | 0.252 | 0.38 | 15.2 | 0.22 | 0.25 |
| SRR1208-822KL | 8200 | ± 10 | 16 | 0.252 | 0.35 | 17.0 | 0.20 | 0.22 |
| SRR1208-103KL | 10000 | ± 10 | 24 | 0.0796 | 0.30 | 19.2 | 0.18 | 0.20 |

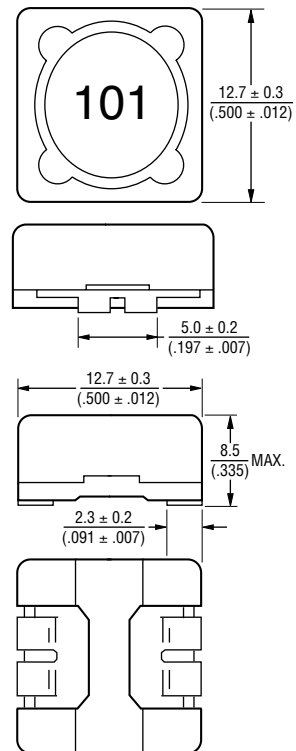
General Specifications

Test Voltage 1 V
 Operating Temperature -40 °C to +125 °C
 (Temperature rise included)
 Storage Temperature -40 °C to +125 °C
 Resistance to Soldering Heat 260 °C for 5 sec.
 Rated Current Ind. drop of 10 % typ. at Isat
 Temperature Rise 40 °C max. at rated I rms

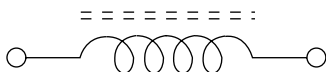
Materials

Core Ferrite DR & RI core
 Wire Enameled copper
 Base LCP E4008
 Terminal Cu/Ni/Sn
 Packaging 400 pcs. per reel

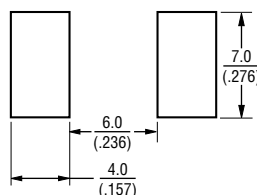
Product Dimensions



Schematic



Recommended Layout



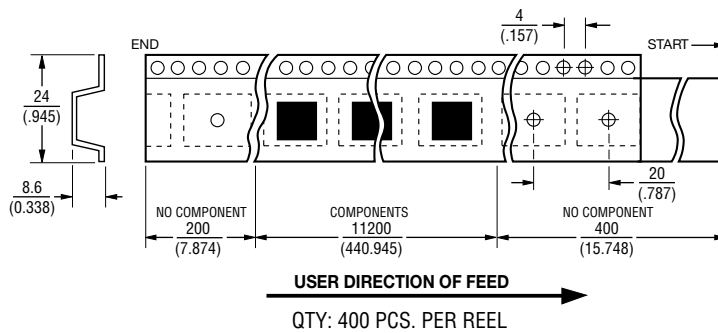
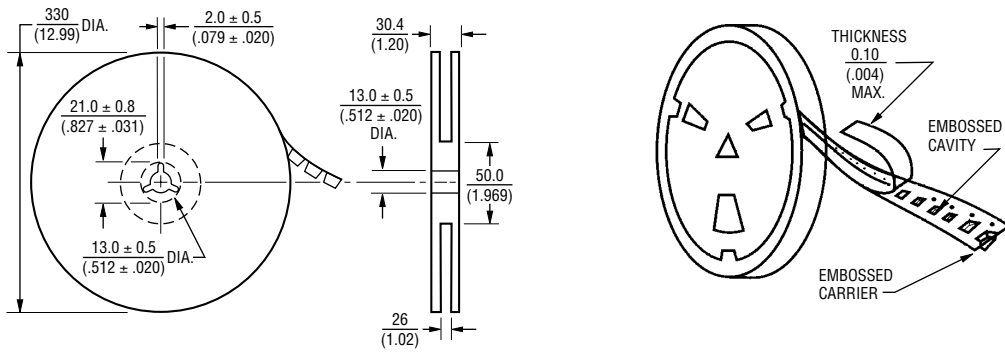
DIMENSIONS: $\frac{\text{MM}}{\text{(INCHES)}}$

*RoHS Directive 2002/95/EC Jan. 27, 2003 including annex and RoHS Recast 2011/65/EU June 8, 2011. Specifications are subject to change without notice. The device characteristics and parameters in this data sheet can and do vary in different applications and actual device performance may vary over time. Users should verify actual device performance in their specific applications.

SRR1208 Series - Shielded High Power Inductors

BOURNS®

Packaging Specifications



DIMENSIONS: $\frac{\text{MM}}{\text{(INCHES)}}$

REV. 01/17

Specifications are subject to change without notice.
 The device characteristics and parameters in this data sheet can and do vary in different applications and actual device performance may vary over time.
 Users should verify actual device performance in their specific applications.