



Chipsmall Limited consists of a professional team with an average of over 10 year of expertise in the distribution of electronic components. Based in Hongkong, we have already established firm and mutual-benefit business relationships with customers from,Europe,America and south Asia,supplying obsolete and hard-to-find components to meet their specific needs.

With the principle of “Quality Parts,Customers Priority,Honest Operation,and Considerate Service”,our business mainly focus on the distribution of electronic components. Line cards we deal with include Microchip,ALPS,ROHM,Xilinx,Pulse,ON,Everlight and Freescale. Main products comprise IC,Modules,Potentiometer,IC Socket,Relay,Connector.Our parts cover such applications as commercial,industrial, and automotives areas.

We are looking forward to setting up business relationship with you and hope to provide you with the best service and solution. Let us make a better world for our industry!



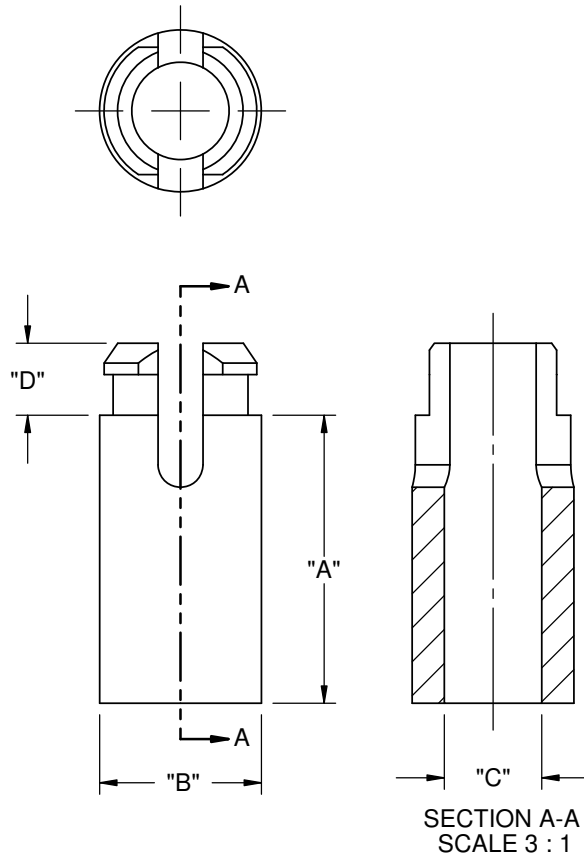
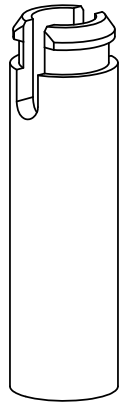
## Contact us

Tel: +86-755-8981 8866 Fax: +86-755-8427 6832

Email & Skype: info@chipsmall.com Web: www.chipsmall.com

Address: A1208, Overseas Decoration Building, #122 Zhenhua RD., Futian, Shenzhen, China





PART NO. FOR #4 (M3) SCREW	PART NO. FOR #6 (M3.5) SCREW	PART NO. FOR #8 (M4) SCREW	PART NO. FOR #8 (M4) SCREW	DIM. "A" ±.015 [0.4]
SRS4-2-01	----	----	----	1/8 [3.2]
SRS4-3-01	----	SRS8-3-01	SRS8-2-3-01	3/16 [4.8]
SRS4-4-01	SRS6-4-01	SRS8-4-01	SRS8-2-4-01	1/4 [6.4]
SRS4-5-01	SRS6-5-01	SRS8-5-01	SRS8-2-5-01	5/16 [7.9]
SRS4-6-01	SRS6-6-01	SRS8-6-01	SRS8-2-6-01	3/8 [9.5]
SRS4-7-01	SRS6-7-01	SRS8-7-01	SRS8-2-7-01	7/16 [11.1]
SRS4-8-01	SRS6-8-01	SRS8-8-01	SRS8-2-8-01	1/2 [12.7]
SRS4-10-01	SRS6-10-01	SRS8-10-01	SRS8-2-10-01	5/8 [15.9]
SRS4-12-01	SRS6-12-01	SRS8-12-01	SRS8-2-12-01	3/4 [19.1]
SRS4-14-01	SRS6-14-01	SRS8-14-01	SRS8-2-14-01	7/8 [22.2]
SRS4-16-01	SRS6-16-01	SRS8-16-01	SRS8-2-16-01	1 [25.4]

SERIES NO.	"B"	"C"	"D"	MOUNTING HOLE DIA. ±.003 [0.08]	MOUNTING PANEL THICKNESS
SRS4	1/4 [6.4]	.125 [3.2]	1/8 [3.2]	.187 [4.7]	.062 [1.57]
SRS6	9/32 [7.1]	.153 [3.9]		.234 [5.9]	
SRS8	9/32 [7.1]	.169 [4.3]	.152 [3.85]		.087 [2.2]
SRS8-2					

NOTES:

- STANDARD MATERIALS:  
-NYLON 6/6 UL 94 V-2 (RMS-01), COLOR NATURAL.  
-FLAME RETARDANT NYLON 6/6 UL 94 V-0 (RMS-19), COLOR NATURAL.
- ALTERNATE MATERIAL AVAILABLE BY SPECIAL ORDER ONLY:  
-HEAT RESISTANT NYLON (RMS-109), COLOR NATURAL.  
TO ORDER, REPLACE "-01" WITH "-109"
- ALTERNATE UNITS FOR REFERENCE ONLY

TITLE: SELF RETAINING SPACERS			DWG IN IN [MM]		FINAL	
CREATED USING SOLIDWORKS	FILE #: SRS	DWN: SK	APP: RT	PART #		
TOLERANCES UNLESS NOTED .XX=±.010 .XXX=±.005 FRAC.=±1/64 ANG.=±1°	SHEET: 1 OF 1	SHEET SIZE: A	DT: 09/28/05	CHKD: SJ	PRINT TYPE	
REV.	DESCRIPTION	ENGR.	DATE	RE: RICHCO, INC.		CA
H	ADDED SRS8-3-01 PART. SEE CO 200679	SK	06/08/2011	RICHCO, INC.		SEE TABLE
G	ADDED SRS8-2 SERIES. SEE CO 200676	SK	06/06/2011	ENG@RICHCO-INC.COM		
F	SEE ECN #1070 FOR CHANGES	SK	10/07/05	(773) 539-4060		
-	SEE ENGINEERING FOR REV. A - E	--	----			