



Chipsmall Limited consists of a professional team with an average of over 10 year of expertise in the distribution of electronic components. Based in Hongkong, we have already established firm and mutual-benefit business relationships with customers from,Europe,America and south Asia,supplying obsolete and hard-to-find components to meet their specific needs.

With the principle of “Quality Parts,Customers Priority,Honest Operation,and Considerate Service”,our business mainly focus on the distribution of electronic components. Line cards we deal with include Microchip,ALPS,ROHM,Xilinx,Pulse,ON,Everlight and Freescale. Main products comprise IC,Modules,Potentiometer,IC Socket,Relay,Connector.Our parts cover such applications as commercial,industrial, and automotives areas.

We are looking forward to setting up business relationship with you and hope to provide you with the best service and solution. Let us make a better world for our industry!



Contact us

Tel: +86-755-8981 8866 Fax: +86-755-8427 6832

Email & Skype: info@chipsmall.com Web: www.chipsmall.com

Address: A1208, Overseas Decoration Building, #122 Zhenhua RD., Futian, Shenzhen, China



MODEL:

SRSHELF4PHDTM

Toolless Fixed Shelf for 4-Post Racks



250 lb.
Load Capacity



25.5 in. Depth



Sturdy Steel
Construction

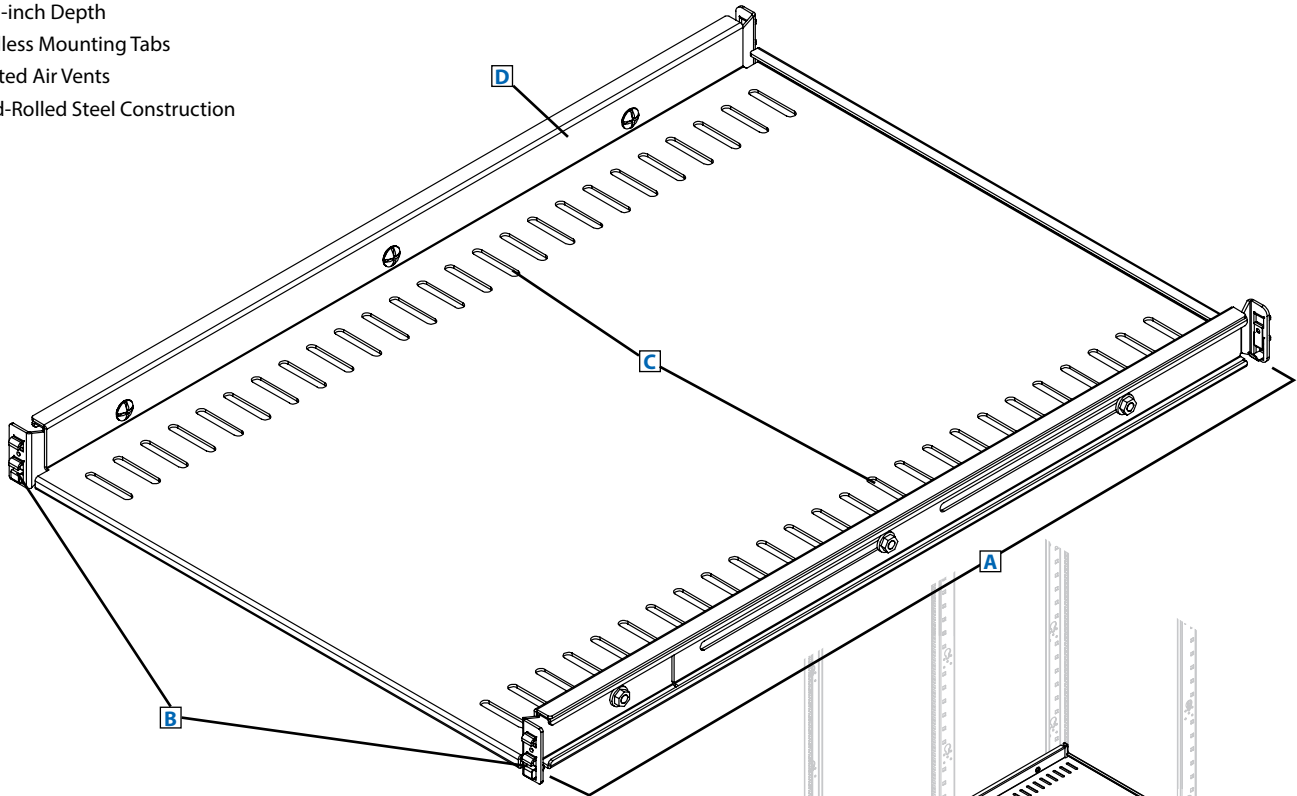


Ventilated for
Ample Airflow



Toolless
Mounting

- A** 25.5-inch Depth
- B** Toolless Mounting Tabs
- C** Slotted Air Vents
- D** Cold-Rolled Steel Construction



SRSHELF4PHDTM is a heavy-duty fixed shelf for use in 4-post racks. It is constructed of cold-rolled steel, is 25.5 inches in depth and supports weights of up to 250 lb. A vented design increases airflow to sensitive equipment. Snap-in mounting requires no tools.

Specifications

Model	SRSHELF4PHDTM
Load Rating	250 lb. (113 kg)
Unit Dimensions (H x W x D)	1.73 x 19 x 26.10 in. (439 x 482 x 662 mm)
Shipping Dimensions (H x W x D)	4 x 20 x 27 in. (101 x 508 x 685 mm)
Unit Weight	16.5 lb. (7.48 kg)
Shipping Weight	18 lb. (8.16 kg)
Standards	Tested to RoHS

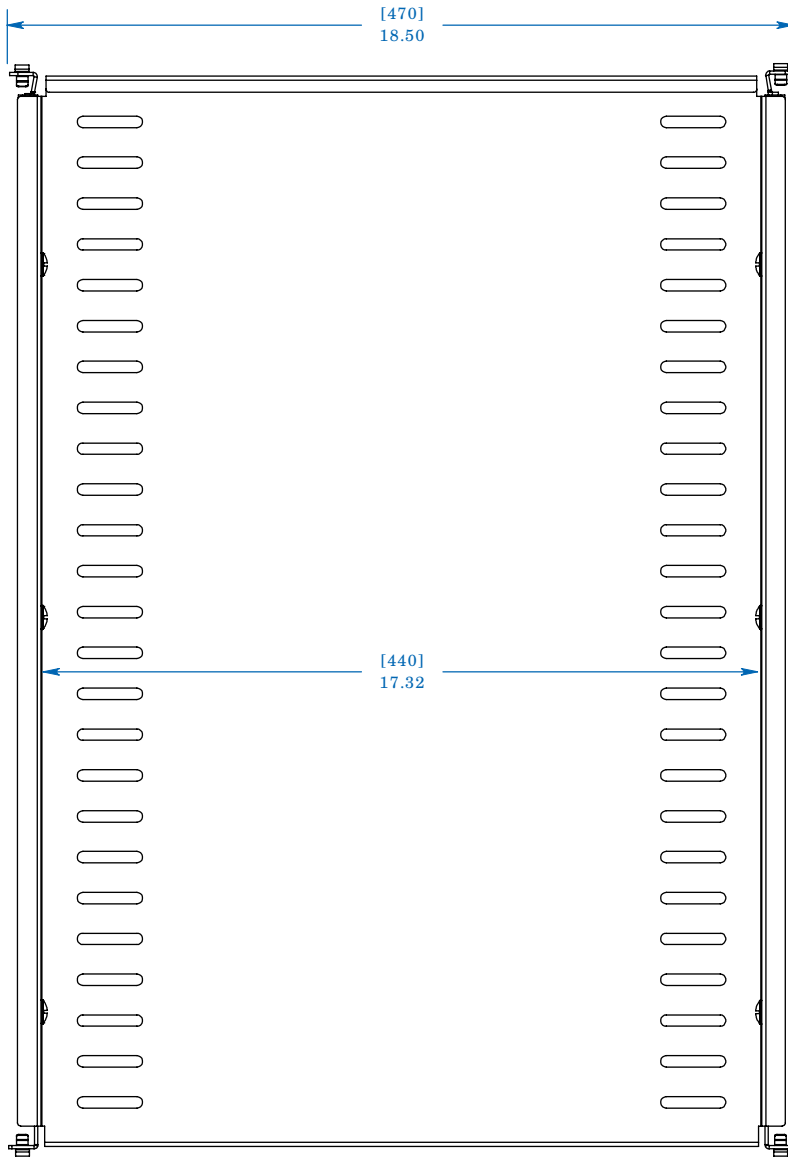
Tripp Lite has a policy of continuous improvement. Specifications are subject to change without notice.



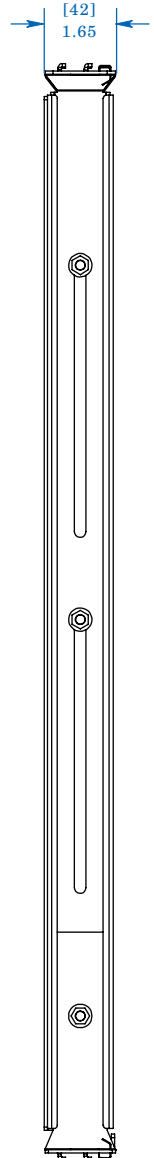
SEE NEXT PAGE FOR DETAILED UNIT MEASUREMENTS



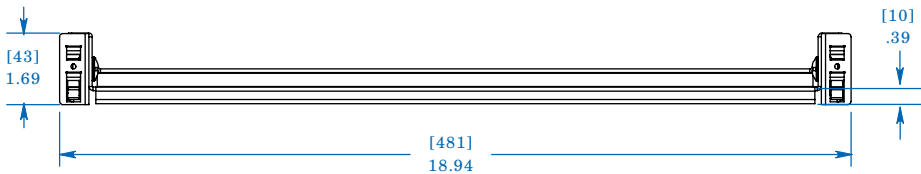
1111 W. 35th Street
Chicago, IL 60609 USA
773.869.1234
www.tripplite.com



TO P VIEW



SIDE VIEW



FRONT VIEW



REAR VIEW

MODEL:
SRSHELF4PHDTM



1111 W. 35th Street
Chicago, IL 60609 USA
773.869.1234

www.tripplite.com

Dimensions: [mm] INCHES

Tripp Lite has a policy of continuous improvement. Specifications are subject to change without notice.