



Chipsmall Limited consists of a professional team with an average of over 10 year of expertise in the distribution of electronic components. Based in Hongkong, we have already established firm and mutual-benefit business relationships with customers from,Europe,America and south Asia,supplying obsolete and hard-to-find components to meet their specific needs.

With the principle of “Quality Parts,Customers Priority,Honest Operation,and Considerate Service”,our business mainly focus on the distribution of electronic components. Line cards we deal with include Microchip,ALPS,ROHM,Xilinx,Pulse,ON,Everlight and Freescale. Main products comprise IC,Modules,Potentiometer,IC Socket,Relay,Connector.Our parts cover such applications as commercial,industrial, and automotives areas.

We are looking forward to setting up business relationship with you and hope to provide you with the best service and solution. Let us make a better world for our industry!



Contact us

Tel: +86-755-8981 8866 Fax: +86-755-8427 6832

Email & Skype: info@chipsmall.com Web: www.chipsmall.com

Address: A1208, Overseas Decoration Building, #122 Zhenhua RD., Futian, Shenzhen, China





Features

- Shielded construction
- Inductance range: 1.2 to 220 μ H
- Heating current up to 4 A
- AEC-Q200 qualified
- RoHS compliant* and halogen free**

Applications

- Automotive systems:
 - Driver assistant
 - Information
 - Entertainment
 - Lighting
- DC/DC converters
- Power supplies

SRU6025A Series - Shielded Power Inductors

Electrical Specifications @ 25 °C

Bourns Part Number	Inductance @ 100 KHz / 0.1 V		Q (Ref.)	Test Freq. (MHz)	SRF (MHz) Typ.	DCR (Ω) Max.	I rms (A)	I sat (A)
	L (μ H)	Tol. (%)						
SRU6025A-1R2Y	1.2	± 30	8	7.96	120	0.019	4.0	3.2
SRU6025A-2R2Y	2.2	± 30	8	7.96	65	0.024	3.4	2.35
SRU6025A-3R3Y	3.3	± 30	8	7.96	50	0.027	3.2	2.0
SRU6025A-4R7Y	4.7	± 30	8	7.96	42	0.035	2.7	1.55
SRU6025A-6R8Y	6.8	± 30	8	7.96	36	0.042	2.4	1.3
SRU6025A-8R2Y	8.2	± 30	8	7.96	30	0.052	2.2	1.25
SRU6025A-100Y	10	± 30	12	2.52	25	0.057	2.0	1.05
SRU6025A-150Y	15	± 30	12	2.52	22	0.086	1.8	0.92
SRU6025A-220Y	22	± 30	12	2.52	18	0.13	1.6	0.7
SRU6025A-330Y	33	± 30	12	2.52	12	0.18	1.2	0.64
SRU6025A-470Y	47	± 30	12	2.52	10	0.25	1.0	0.48
SRU6025A-680Y	68	± 30	10	2.52	8	0.365	0.8	0.4
SRU6025A-101Y	100	± 30	24	0.796	7	0.5	0.7	0.35
SRU6025A-151Y	150	± 30	30	0.796	5	0.77	0.54	0.28
SRU6025A-221Y	220	± 30	20	0.796	4	1.25	0.42	0.24

General Specifications

Operating Temperature -40 °C to +125 °C
(Temperature rise included)

Storage Temperature -40 °C to +125 °C

Resistance to Soldering Heat +260 °C for 10 sec.

Temperature Rise 30 °C typ. at rated I rms

Inductance Drop 35 % typ. at I sat

Materials

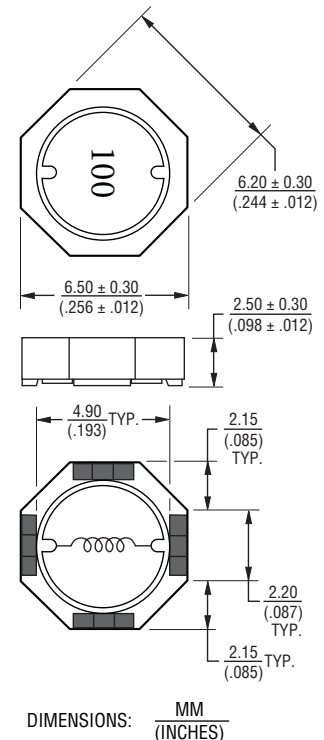
Core Ferrite

Wire Enameled copper

Terminal Finish Ag/Ni/Sn

Packaging 600 pcs. per reel

Product Dimensions



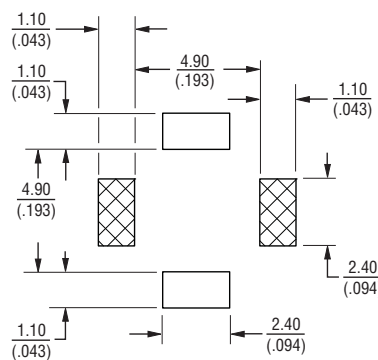
How to Order

SRU6025A - 100Y

Model _____

Value Code (see table) _____

Recommended Layout



BOURNS®

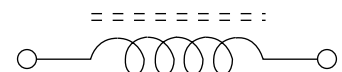
Asia-Pacific: Tel: +886-2 2562-4117 • Fax: +886-2 2562-4116

Europe: Tel: +41-41 768 5555 • Fax: +41-41 768 5510

The Americas: Tel: +1-951 781-5500 • Fax: +1-951 781-5700

www.bourns.com

Electrical Schematic



* RoHS Directive 2002/95/EC Jan. 27, 2003 including annex and RoHS Recast 2011/65/EU June 8, 2011.

** Bourns follows the prevailing definition of "halogen free" in the industry. Bourns considers a product to be "halogen free" if (a) the Bromine (Br) content is 900 ppm or less; (b) the Chlorine (Cl) content is 900 ppm or less; and (c) the total Bromine (Br) and Chlorine (Cl) content is 1500 ppm or less.

Specifications are subject to change without notice.

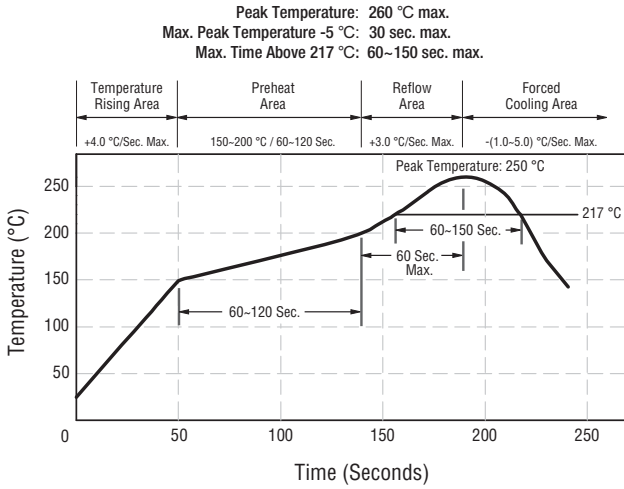
The device characteristics and parameters in this data sheet can and do vary in different applications and actual device performance may vary over time.

Users should verify actual device performance in their specific applications.

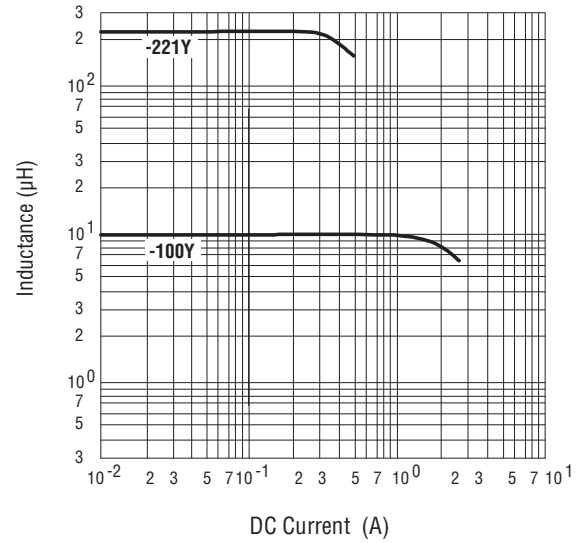
SRU6025A Series - Shielded Power Inductors



Soldering Profile



Inductance vs. DC Current Plot



Packaging Specifications

