



Chipsmall Limited consists of a professional team with an average of over 10 year of expertise in the distribution of electronic components. Based in Hongkong, we have already established firm and mutual-benefit business relationships with customers from,Europe,America and south Asia,supplying obsolete and hard-to-find components to meet their specific needs.

With the principle of “Quality Parts,Customers Priority,Honest Operation,and Considerate Service”,our business mainly focus on the distribution of electronic components. Line cards we deal with include Microchip,ALPS,ROHM,Xilinx,Pulse,ON,Everlight and Freescale. Main products comprise IC,Modules,Potentiometer,IC Socket,Relay,Connector.Our parts cover such applications as commercial,industrial, and automotives areas.

We are looking forward to setting up business relationship with you and hope to provide you with the best service and solution. Let us make a better world for our industry!



Contact us

Tel: +86-755-8981 8866 Fax: +86-755-8427 6832

Email & Skype: info@chipsmall.com Web: www.chipsmall.com

Address: A1208, Overseas Decoration Building, #122 Zhenhua RD., Futian, Shenzhen, China



MODELS:

SRW12US / SRW12USG

SmartRack® Wall-Mount Rack Enclosure Cabinets



12 Rack Units



200 lb.
Load Rating



Sturdy Steel
Construction



Locking Doors
& Side Panels



Plexiglas®
Front Door
(SRW12USG
only)



Standard
19" Rack Width



Convenient
Cable Access



Adjustable
Mounting Rails



Hinged Wall
Bracket



Ventilated for
Ample Airflow



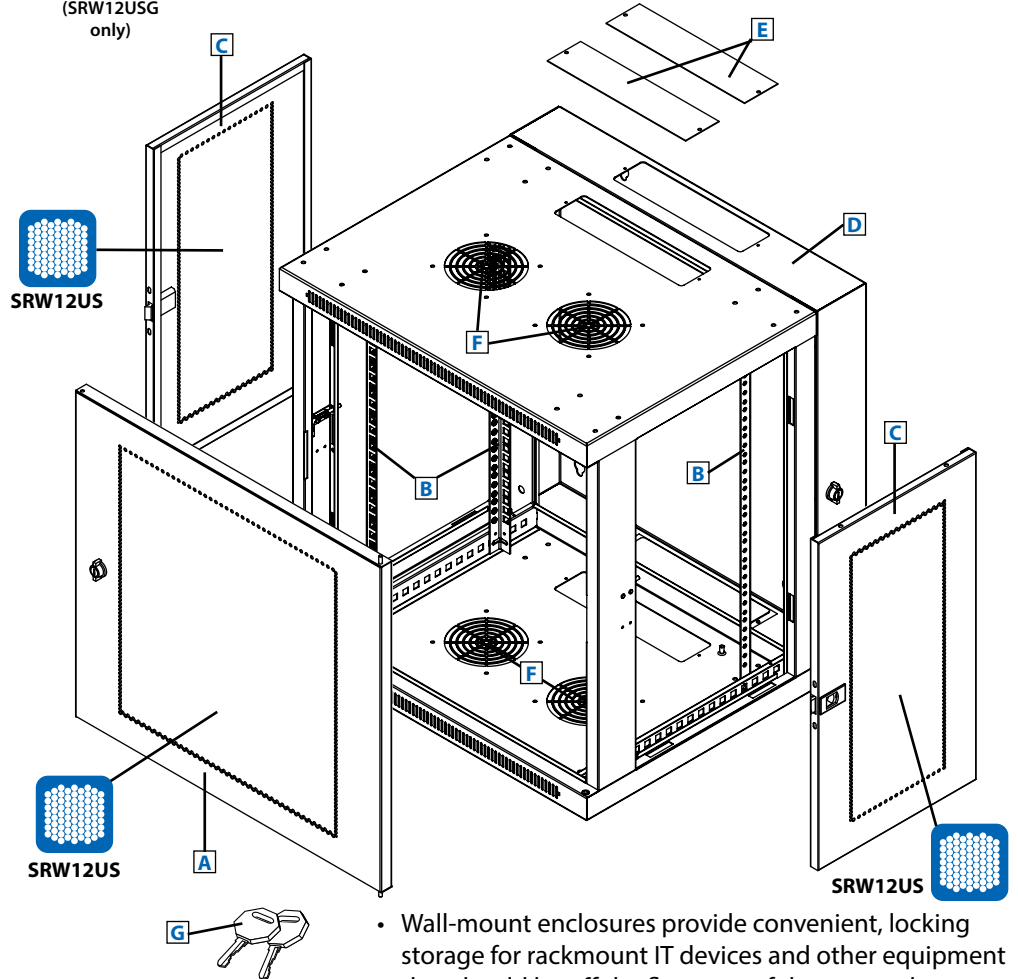
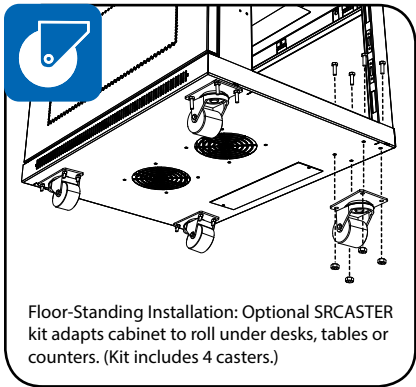
Reversible
Cabinet



Square Hole
Mounting

- A** Front Door
(Lockable/Removable/Reversible.
SRW12US door is perforated;
SRW12USG door has a Plexiglas® insert.)
- B** Adjustable Mounting Rails (4)
- C** Side Panels (2)
(Lockable/Removable)
- D** Hinged Wall Bracket
(Lockable/Reversible. Allows the cabinet
to swing away from the wall for convenient
rear access to equipment and cabling.)
- E** Cable Access Port Covers (2)
(Removable)
- F** Ventilation Fan Ports (4)
(Support optional SRFANWM fan kit.)
- G** Keys (2)

Also Includes: Owner's manual, mounting
plate screws (3), cabinet ground screw, pre-
installed front door ground wire and rackmount
equipment mounting hardware (12 cage nuts,
12 mounting screws, 12 nylon cup washers).



- Wall-mount enclosures provide convenient, locking storage for rackmount IT devices and other equipment that should be off the floor, out of the way and secure
- The cabinet is fully reversible, allowing installers to change door hinges from left to right by simply rotating the unit 180 degrees before mounting
- Hinged wall bracket allows cabinet to swing away from the wall for convenient access to equipment and cabling

SEE NEXT PAGE FOR DETAILED UNIT MEASUREMENTS



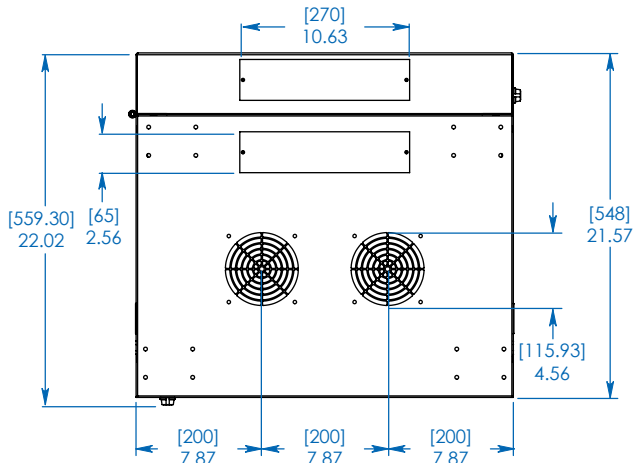
1111 W. 35th Street
Chicago, IL 60609 USA
773.869.1234
www.tripplite.com

Specifications

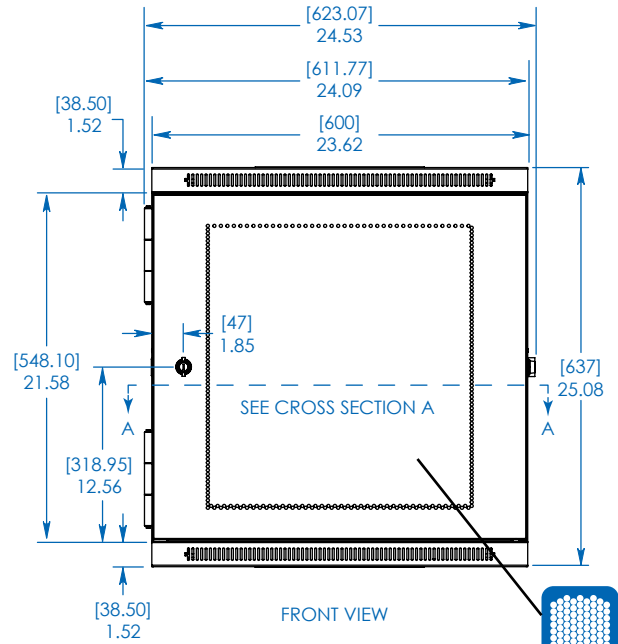
Models	SRW12US / SRW12USG
Rack Spaces	12U
Equipment Mounting Depth	Up to 20.5 in. (520.7 mm)
Load Rating*	200 lb. (90.7 kg)
Unit Dimensions [H x W x D]	25.08 x 24.53 x 21.57 in. (637 x 623.07 x 548 mm)
Shipping Dimensions [H x W x D]	27.95 x 26.38 x 24.41 in. (710 x 670 x 620 mm)
Unit Weight	60 lb. (27.21 kg)
Shipping Weight	64 lb. (28.8 kg) / 70 lb. (31.5 kg)
Regulatory Compliance	Meets EIA-310-D, IEC 60297-3-100, NOM, RoHS and PCI-DSS standards; IP20 Protection Rating

* The load rating includes the combined weight of the unit and installed equipment. The unit must be mounted to a stable surface with user-supplied anchors capable of bearing the full load.

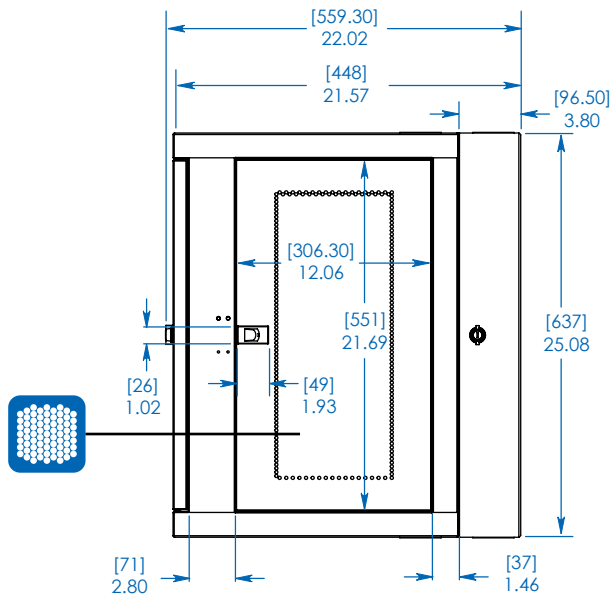




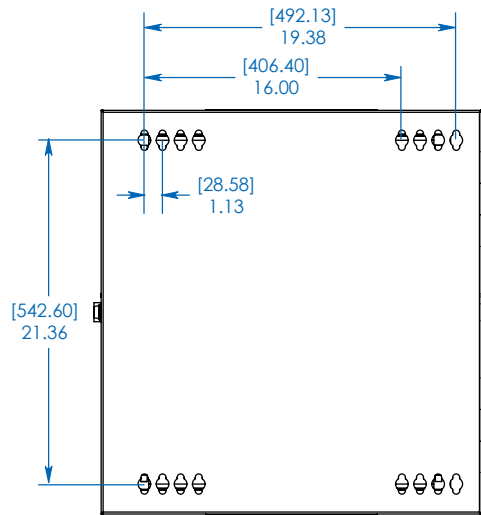
TOP/BOTTOM VIEW



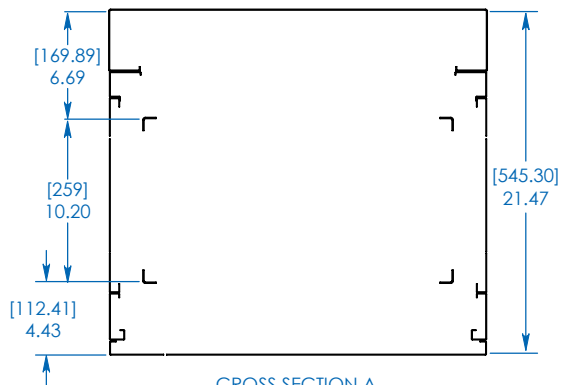
FRONT VIEW



SIDE VIEW



REAR VIEW



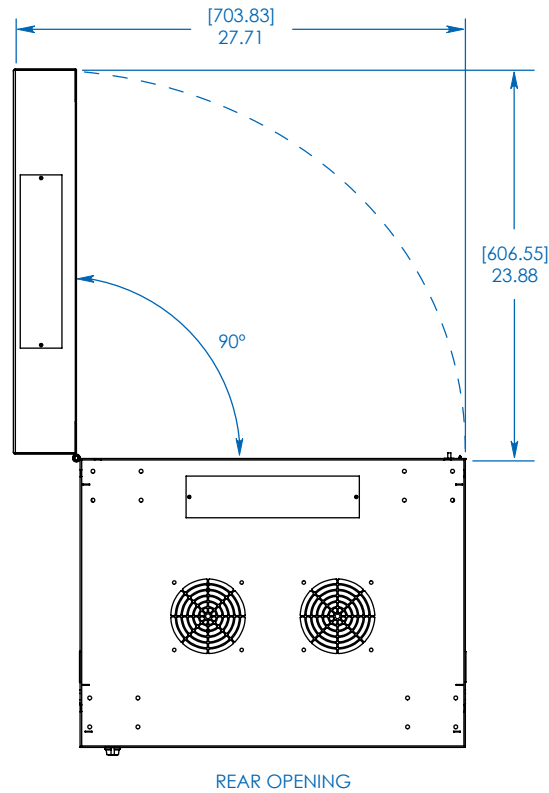
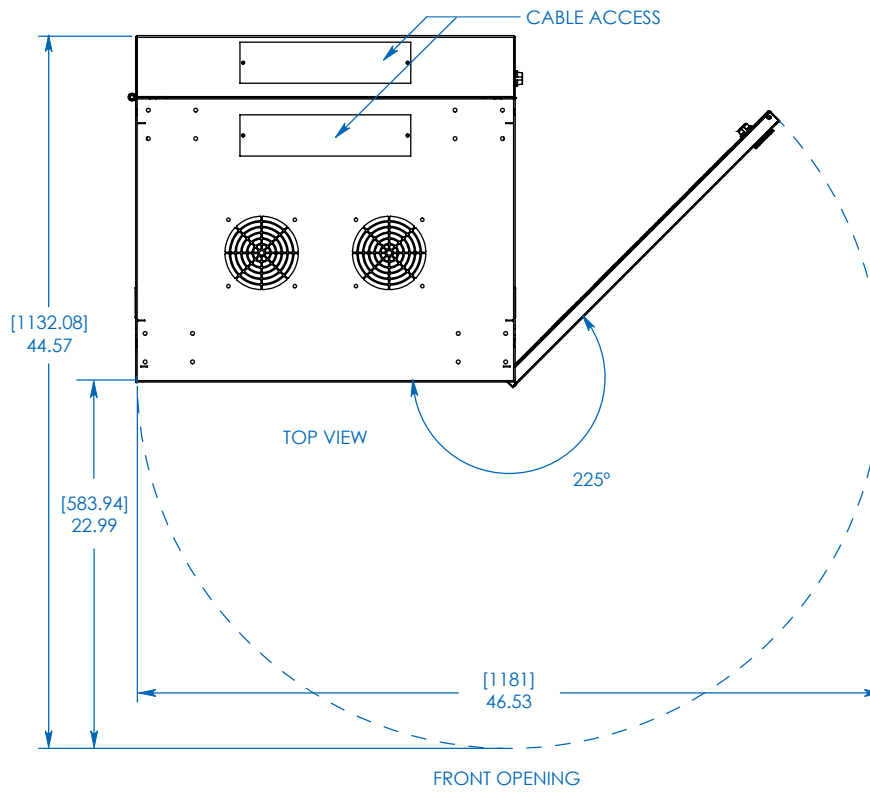
CROSS SECTION A
USABLE MOUNTING DEPTH

Dimensions: [mm] INCHES

Tripp Lite has a policy of continuous improvement. Specifications are subject to change without notice.

MODELS:
SRW12US / SRW12USG





MODELS:
SRW12US / SRW12USG



1111 W. 35th Street
 Chicago, IL 60609 USA
 773.869.1234

www.tripplite.com

Dimensions: [mm] INCHES

Tripp Lite has a policy of continuous improvement. Specifications are subject to change without notice.