



Chipsmall Limited consists of a professional team with an average of over 10 year of expertise in the distribution of electronic components. Based in Hongkong, we have already established firm and mutual-benefit business relationships with customers from,Europe,America and south Asia,supplying obsolete and hard-to-find components to meet their specific needs.

With the principle of “Quality Parts,Customers Priority,Honest Operation,and Considerate Service”,our business mainly focus on the distribution of electronic components. Line cards we deal with include Microchip,ALPS,ROHM,Xilinx,Pulse,ON,Everlight and Freescale. Main products comprise IC,Modules,Potentiometer,IC Socket,Relay,Connector.Our parts cover such applications as commercial,industrial, and automotives areas.

We are looking forward to setting up business relationship with you and hope to provide you with the best service and solution. Let us make a better world for our industry!



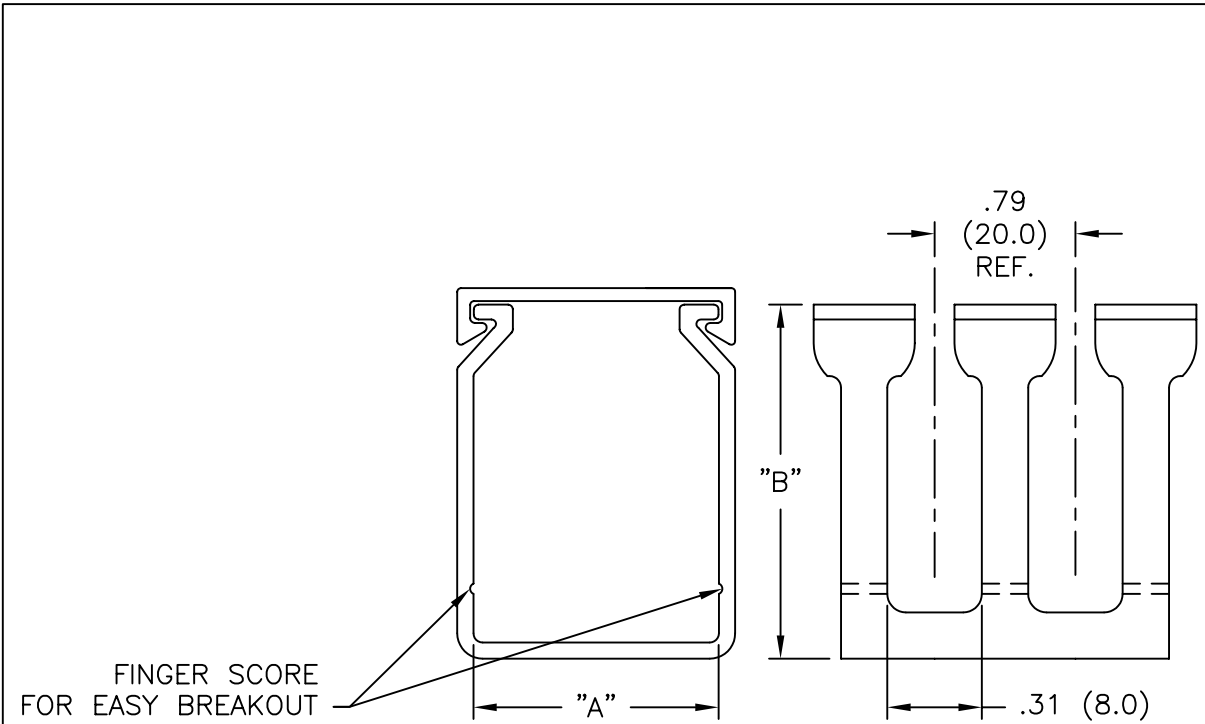
## Contact us

Tel: +86-755-8981 8866 Fax: +86-755-8427 6832

Email & Skype: info@chipsmall.com Web: www.chipsmall.com

Address: A1208, Overseas Decoration Building, #122 Zhenhua RD., Futian, Shenzhen, China





PART NO.	"A"	"B"	PKG	MOUNTING STYLE
SRWD-0820	.75 (19.1)	2.00 (50.8)	78FT	1
SRWD-1015	1.00 (25.4)	1.50 (38.1)	78FT	
SRWD-1020	1.00 (25.4)	2.00 (50.8)	78FT	
SRWD-1030	1.00 (25.4)	3.00 (76.2)	52FT	
SRWD-1040	1.00 (25.4)	4.00 (101.6)	52FT	
SRWD-1515	1.50 (38.1)	1.50 (38.1)	78FT	
SRWD-1520	1.50 (38.1)	2.00 (50.8)	52FT	
SRWD-1530	1.50 (38.1)	3.00 (76.2)	52FT	
SRWD-1540	1.50 (38.1)	4.00 (101.6)	52FT	
SRWD-2010	2.00 (50.8)	1.00 (25.4)	78FT	
SRWD-2015	2.00 (50.8)	1.50 (38.1)	52FT	
SRWD-2020	2.00 (50.8)	2.00 (50.8)	52FT	
SRWD-2030	2.00 (50.8)	3.00 (76.2)	52FT	
SRWD-2040	2.00 (50.8)	4.00 (101.6)	26FT	
SRWD-3015	3.00 (76.2)	1.50 (38.1)	52FT	
SRWD-3020	3.00 (76.2)	2.00 (50.8)	52FT	
SRWD-3030	3.00 (76.2)	3.00 (76.2)	52FT	
SRWD-3040	3.00 (76.2)	4.00 (101.6)	26FT	
SRWD-4020	4.00 (101.6)	2.00 (50.8)	26FT	
SRWD-4030	4.00 (101.6)	3.00 (76.2)	26FT	
SRWD-4040	4.00 (101.6)	4.00 (101.6)	26FT	
SRWD-4050	4.00 (101.6)	5.00 (127.0)	26FT	

NOTES:

- 1) MATERIAL: PVC.
- 2) COLOR: GRAY.
- 3) LENGTH: 6 1/2 FEET.
- 4) LID FURNISHED WITH BASE.
- 5) U.L. RECOGNIZED, NO. E161178.
- 6) C.S.A. RECOGNIZED, NO. LR40012-7.
- 7) AVAILABLE IN WHITE (W), BLACK (BK) AND BLUE (BL) BY SPECIAL ORDER. TO ORDER, ADD COLOR SUFFIX TO PART NUMBER.

EX. OF NOTE 7: SRWD-XXXX-BL

SEE MOUNTING STYLE PRINT FOR OTHER DIM'S

<table border="1"> <tr><td>E</td><td>ADDED BREAKOUT NOTE</td><td>SM 01.30.02</td></tr> <tr><td>D</td><td>CHANGED FILE NO.</td><td>SM 10.29.01</td></tr> <tr><td>C</td><td>REARRANGED NOTES, ADDED COLOR NOTE</td><td>JK 7/28/99</td></tr> <tr><td>B</td><td>"A" DIMENSION WAS REFERENCED TO OUTSIDE</td><td>MO 9/11/98</td></tr> <tr><td>A</td><td>MOUNTING HOLE SPACING CHANGED</td><td>JB 02.29.96</td></tr> <tr><td>REV</td><td>DESCRIPTION</td><td>ENGR DATE</td></tr> </table>			E	ADDED BREAKOUT NOTE	SM 01.30.02	D	CHANGED FILE NO.	SM 10.29.01	C	REARRANGED NOTES, ADDED COLOR NOTE	JK 7/28/99	B	"A" DIMENSION WAS REFERENCED TO OUTSIDE	MO 9/11/98	A	MOUNTING HOLE SPACING CHANGED	JB 02.29.96	REV	DESCRIPTION	ENGR DATE	<table border="1"> <tr><td>TOLERANCES UNLESS NOTED</td><td>FILE # SRWD</td><td>DWN: J.B.</td><td>APP:</td></tr> <tr><td>.XX=±.020</td><td>MAT'L: SEE NOTES</td><td>DT: 12-14-96</td><td>DT:</td></tr> <tr><td>.XXX=±.015</td><td>RE: RICHCO. INC.</td><td colspan="2">RICHCO INC.</td></tr> <tr><td>FRAC=±1/32</td><td></td><td colspan="2">PO BOX 804238, CHICAGO, 60680</td></tr> <tr><td>ANG=±1°</td><td></td><td colspan="2">(773) 539-4060</td></tr> </table>			TOLERANCES UNLESS NOTED	FILE # SRWD	DWN: J.B.	APP:	.XX=±.020	MAT'L: SEE NOTES	DT: 12-14-96	DT:	.XXX=±.015	RE: RICHCO. INC.	RICHCO INC.		FRAC=±1/32		PO BOX 804238, CHICAGO, 60680		ANG=±1°		(773) 539-4060		<table border="1"> <tr><td>TITLE: SLOTTED RICHCO WIRING DUCT</td><td>DWG IN IN (MM)</td><td>FINAL</td></tr> <tr><td>PART #</td><td>PRINT TYPE</td><td>CA</td></tr> <tr><td>SEE TABLE</td><td></td><td></td></tr> </table>		TITLE: SLOTTED RICHCO WIRING DUCT	DWG IN IN (MM)	FINAL	PART #	PRINT TYPE	CA	SEE TABLE		
E	ADDED BREAKOUT NOTE	SM 01.30.02																																																				
D	CHANGED FILE NO.	SM 10.29.01																																																				
C	REARRANGED NOTES, ADDED COLOR NOTE	JK 7/28/99																																																				
B	"A" DIMENSION WAS REFERENCED TO OUTSIDE	MO 9/11/98																																																				
A	MOUNTING HOLE SPACING CHANGED	JB 02.29.96																																																				
REV	DESCRIPTION	ENGR DATE																																																				
TOLERANCES UNLESS NOTED	FILE # SRWD	DWN: J.B.	APP:																																																			
.XX=±.020	MAT'L: SEE NOTES	DT: 12-14-96	DT:																																																			
.XXX=±.015	RE: RICHCO. INC.	RICHCO INC.																																																				
FRAC=±1/32		PO BOX 804238, CHICAGO, 60680																																																				
ANG=±1°		(773) 539-4060																																																				
TITLE: SLOTTED RICHCO WIRING DUCT	DWG IN IN (MM)	FINAL																																																				
PART #	PRINT TYPE	CA																																																				
SEE TABLE																																																						