



Chipsmall Limited consists of a professional team with an average of over 10 year of expertise in the distribution of electronic components. Based in Hongkong, we have already established firm and mutual-benefit business relationships with customers from,Europe,America and south Asia,supplying obsolete and hard-to-find components to meet their specific needs.

With the principle of “Quality Parts,Customers Priority,Honest Operation,and Considerate Service”,our business mainly focus on the distribution of electronic components. Line cards we deal with include Microchip,ALPS,ROHM,Xilinx,Pulse,ON,Everlight and Freescale. Main products comprise IC,Modules,Potentiometer,IC Socket,Relay,Connector.Our parts cover such applications as commercial,industrial, and automotives areas.

We are looking forward to setting up business relationship with you and hope to provide you with the best service and solution. Let us make a better world for our industry!



## Contact us

Tel: +86-755-8981 8866 Fax: +86-755-8427 6832

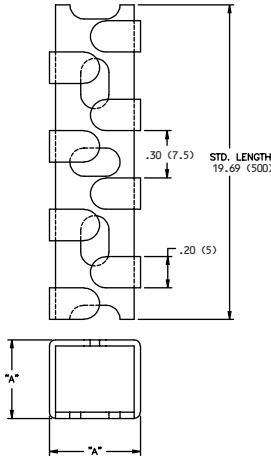
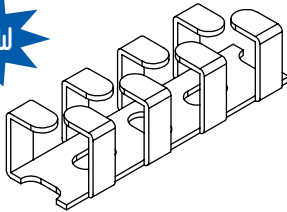
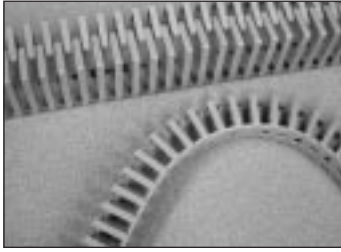
Email & Skype: info@chipsmall.com Web: www.chipsmall.com

Address: A1208, Overseas Decoration Building, #122 Zhenhua RD., Futian, Shenzhen, China



## RX

### Richflex Flexible Channel



## Features

- Available with or without adhesive

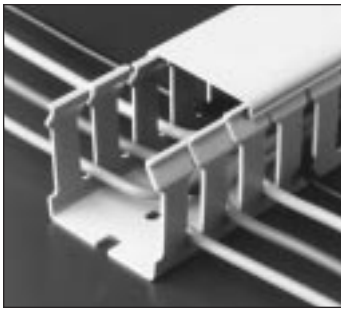
Material: Polypropylene • Color: Grey

Part No.	Ext. Dim. "A" x "A" in (mm)	Type	Int. Section in <sup>2</sup> (mm <sup>2</sup> )	Standard Packing (pcs)
RX1313-0	.492 x .492	VMHDY40	.171 (110)	112
RX1313-4	(12.5 x 12.5)	AMHD40		
RX1616-0	.630 x .630	VMHDY40	.287 (185)	84
RX1616-4	(16 x 16)	AMHD40		
RX2020-0	.787 x .787	VMHDY40	.496 (320)	112
RX2020-4	(20 x 20)	AMHD40		
RX2525-0	.984 x .984	VMHDY40	.775 (500)	70
RX2525-4	(25 x 25)	AMHD40		
RX3030-0	1.181 x 1.181	VMHDY40	1.116 (720)	50
RX3030-4	(30 x 30)	AMHD40		
RX4040-0	1.575 x 1.575	VMHDY40	2.046 (1320)	50
RX4040-4	(40 x 40)	AMHD40		
RX5050-0	1.969 x 1.969	VMHDY40	3.162 (2040)	32
RX5050-4	(50 x 50)	AMHD40		

Part Type Code: A - Adhesive Backing; D - UL94V2; H - Halogen Presence Insignificant (<70%); M - Polypropylene; V - Screw Mount; 40 - Gray RAL7040.

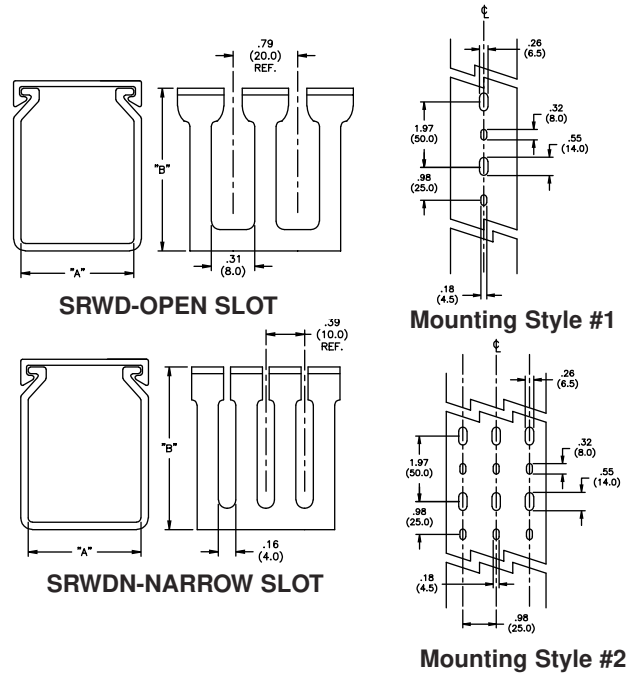
## SRWD/SRWDN

### Slotted Richco Wiring Duct



## Features

- Holds breakout wires while providing flexibility for adding or removing wires later
- Simply deflect the plastic fingers to insert or remove wires
- Non-slip cover is easy to use and included with base
- Parts are 6-1/2' (1.98m) long
- Material is serviceable from -40°F – 140°F (-40°C – 60°C)
- Fingers are scored for easy break out



Material: PVC (UL #E161178) (CSA #LR40012-7) Color: Gray				
Part No.	"A"	"B"	Standard Pack	Mounting Style
SRWD-0820	.75 (19.1)	2.0 (50.8)	78' (1981.2)	1
SRWD-1015	1.0 (25.4)	1.5 (38.1)		
SRWD-1020		2.0 (50.8)		
SRWD-1030	3.0 (76.2)	52' (1320.8)		
SRWD-1040	4.0 (101.6)			
SRWD-1515	1.5 (38.1)	78' (1981.2)		
SRWD-1520	1.5 (38.1)	2.0 (50.8)	52' (1320.8)	
SRWD-1530		3.0 (76.2)		
SRWD-1540		4.0 (101.6)		
SRWD-2010	1.0 (25.4)	78' (1981.2)		
SRWD-2015	1.5 (38.1)			
SRWD-2020	2.0 (50.8)	2.0 (50.8)	52' (1320.8)	
SRWD-2030		3.0 (76.2)		
SRWD-2040	4.0 (101.6)	26' (660.4)		
SRWD-3015	1.5 (38.1)			
SRWD-3020	3.0 (76.2)	2.0 (50.8)	52' (1320.8)	
SRWD-3030		3.0 (76.2)		
SRWD-3040	4.0 (101.6)			
SRWD-4020	4.0 (101.6)	2.0 (50.8)	26' (660.4)	2
SRWD-4030		3.0 (76.2)		
SRWD-4040		4.0 (101.6)		
SRWD-4050	5.0 (127.0)			

Parts also available in White, Black and Blue by special order. To order, add suffix W for White, BL for Blue, and B for Black

Material: PVC (UL #E161178) (CSA #LR40012-7) Color: Gray				
Part No.	"A"	"B"	Standard Pack	Mounting Style
SRWDN-0820	.75 (19.1)	2.0 (50.8)	78' (1981.2)	1
SRWDN-1015	1.0 (25.4)	1.5 (38.1)		
SRWDN-1020		2.0 (50.8)		
SRWDN-1030	3.0 (76.2)	52' (1320.8)		
SRWDN-1515	1.5 (38.1)	78' (1981.2)		
SRWDN-1520	1.5 (38.1)	2.0 (50.8)	52' (1320.8)	
SRWDN-1530		3.0 (76.2)		
SRWDN-2015		1.5 (38.1)		
SRWDN-2020	2.0 (50.8)	2.0 (50.8)	52' (1320.8)	
SRWDN-2030		3.0 (76.2)		
SRWDN-3015	1.5 (38.1)			
SRWDN-3020	3.0 (76.2)	2.0 (50.8)	52' (1320.8)	
SRWDN-3030		3.0 (76.2)		
SRWDN-4020	4.0 (101.6)	2.0 (50.8)	26' (660.4)	
SRWDN-4030		3.0 (76.2)		

Parts also available in White, Black and Blue by special order. To order, add suffix W for White, BL for Blue, and B for Black