



Chipsmall Limited consists of a professional team with an average of over 10 year of expertise in the distribution of electronic components. Based in Hongkong, we have already established firm and mutual-benefit business relationships with customers from,Europe,America and south Asia,supplying obsolete and hard-to-find components to meet their specific needs.

With the principle of “Quality Parts,Customers Priority,Honest Operation,and Considerate Service”,our business mainly focus on the distribution of electronic components. Line cards we deal with include Microchip,ALPS,ROHM,Xilinx,Pulse,ON,Everlight and Freescale. Main products comprise IC,Modules,Potentiometer,IC Socket,Relay,Connector.Our parts cover such applications as commercial,industrial, and automotives areas.

We are looking forward to setting up business relationship with you and hope to provide you with the best service and solution. Let us make a better world for our industry!



Contact us

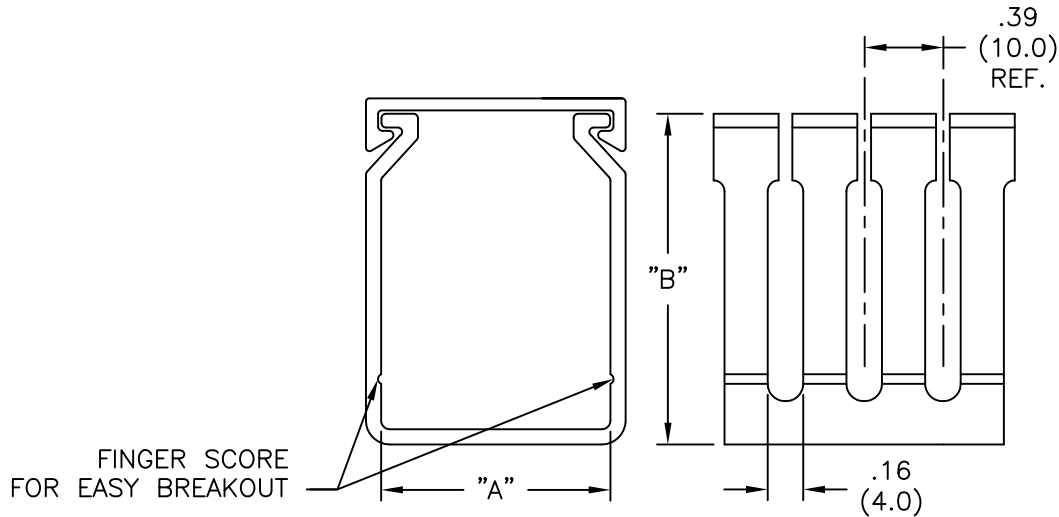
Tel: +86-755-8981 8866 Fax: +86-755-8427 6832

Email & Skype: info@chipsmall.com Web: www.chipsmall.com

Address: A1208, Overseas Decoration Building, #122 Zhenhua RD., Futian, Shenzhen, China



PART NO.	"A"	"B"	MOUNTING STYLE
SRWDN1-1530	1.50 (38.1)	3.00 (76.2)	1
SRWDN1-2030	2.00 (50.8)	3.00 (76.2)	



NOTES:

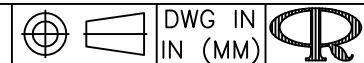
- 1) MATERIAL: PVC (RMS-195).
- 2) COLOR: GRAY.
- 3) LENGTH: 6 1/2 FEET.
- 4) LID FURNISHED WITH BASE.
- 5) U.L. RECOGNIZED, NO. E161178
- 6) C.S.A. RECOGNIZED, NO. LR40012-7.
- 7) AVAILABLE IN WHITE (W), BLACK (BK) AND BLUE (BL) BY SPECIAL ORDER. TO ORDER, ADD COLOR SUFFIX TO PART NUMBER.

EX. OF NOTE 7: SRWDN-XXXX-BL

SEE MOUNTING STYLE PRINT FOR OTHER DIM'S

I	SEE CO 200320 FOR CHANGES	SK 02.05.09
H	SEE CO 200041 FOR CHANGES	SK 09.28.07
G	SEE ECN #927 FOR CHANGES	SK 01.31.05
F	SEE ECN #863 FOR CHANGES	SM 10.04.04
E	ADDED BREAKOUT NOTE	SM 01.30.02
D	CHANGED FILE NO.	SM 10.29.01
C	REARRANGED NOTES, ADDED COLOR NOTE	JK 7/28/99
B	"A" DIMENSION WAS REFERENCED TO OUTSIDE	MO 9/11/98
A	MOUNTING HOLE SPACING CHANGED	JB 02.29.96
REV	DESCRIPTION	ENGR DATE

TITLE: SLOTTED RICHCO WIRING DUCT, NARROW



DWG IN
IN (MM)

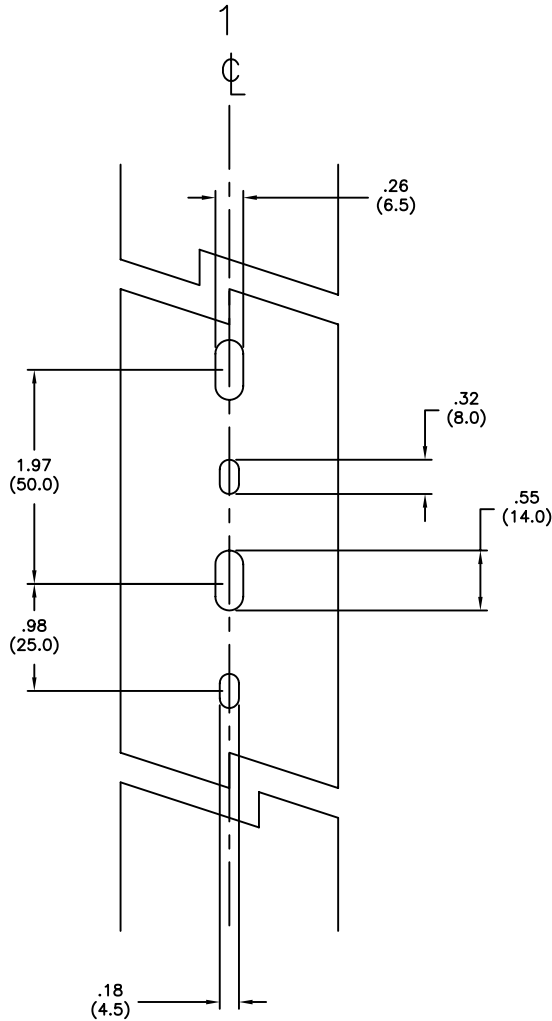
TOLERANCES
UNLESS NOTED
.XX=±.020
.XXX=±.015
FRAC=±1/32
ANG=±1°

FILE # SRWD(N)
MAT'L: SEE NOTES
RE: RICHCO, INC.

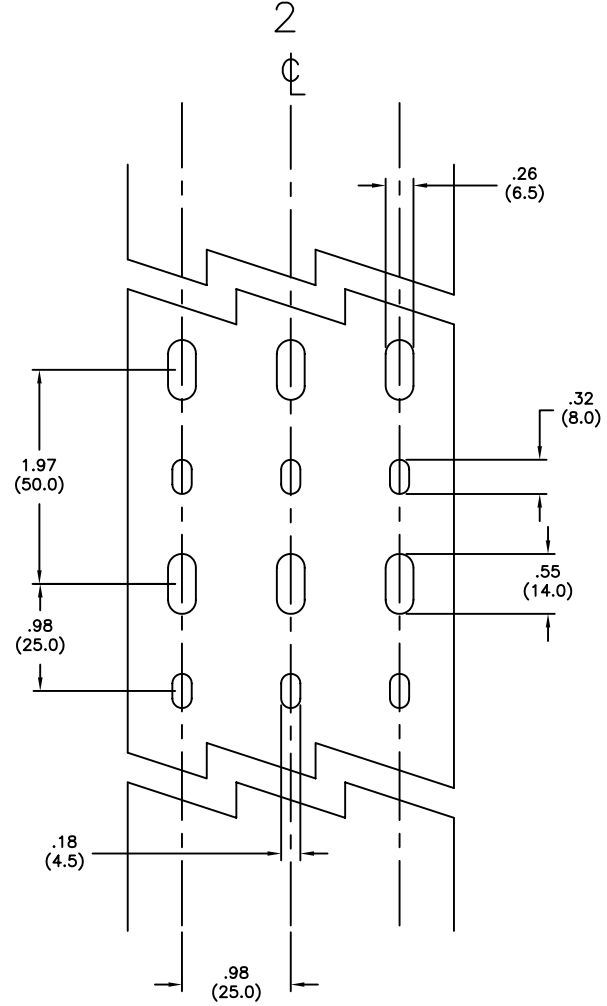
DWN: J.B.
DT: 12-14-96
APP:
DT:
RICHCO INC.
PO BOX 804238, CHICAGO, 60680
(773) 539-4060

FINAL
PART #
SEE TABLE
PRINT TYPE
CA

MOUNTING STYLE



MOUNTING STYLE



TITLE: MOUNTING STYLE DETAIL



DWG IN
IN (MM)



TOLERANCES
UNLESS NOTED
.XX=±.020
.XXX=±.015
FRAC=±1/32
ANG=±1°

FILE # SRWD

DWN: J.B.

APP:

FINAL

MAT'L: SEE NOTES

DT: 12-14-96 DT:

PART #

PRINT
TYPE

RE: RICHCO, INC.

RICHCO INC.
PO BOX 804238, CHICAGO, 60680
(773) 539-4060

SRWD & SRWDN

CA

B	CHANGED FILE NO.	SM 10.29.01
A	MOUNTING HOLE SPACING CHANGED	JB 02.29.96
REV	DESCRIPTION	ENGR DATE