



Chipsmall Limited consists of a professional team with an average of over 10 year of expertise in the distribution of electronic components. Based in Hongkong, we have already established firm and mutual-benefit business relationships with customers from,Europe,America and south Asia,supplying obsolete and hard-to-find components to meet their specific needs.

With the principle of “Quality Parts,Customers Priority,Honest Operation,and Considerate Service”,our business mainly focus on the distribution of electronic components. Line cards we deal with include Microchip,ALPS,ROHM,Xilinx,Pulse,ON,Everlight and Freescale. Main products comprise IC,Modules,Potentiometer,IC Socket,Relay,Connector.Our parts cover such applications as commercial,industrial, and automotives areas.

We are looking forward to setting up business relationship with you and hope to provide you with the best service and solution. Let us make a better world for our industry!



## Contact us

Tel: +86-755-8981 8866 Fax: +86-755-8427 6832

Email & Skype: info@chipsmall.com Web: www.chipsmall.com

Address: A1208, Overseas Decoration Building, #122 Zhenhua RD., Futian, Shenzhen, China



MODEL:

# SRWF2U

## SmartRack® Low-Profile Wall-Mount Rack Enclosure Cabinet



2 Rack Units



150 lb.  
Load Rating



Sturdy Steel  
Construction



Locking Door



Standard  
19" Rack Width



Convenient  
Cable Access



Adjustable  
Mounting Rails



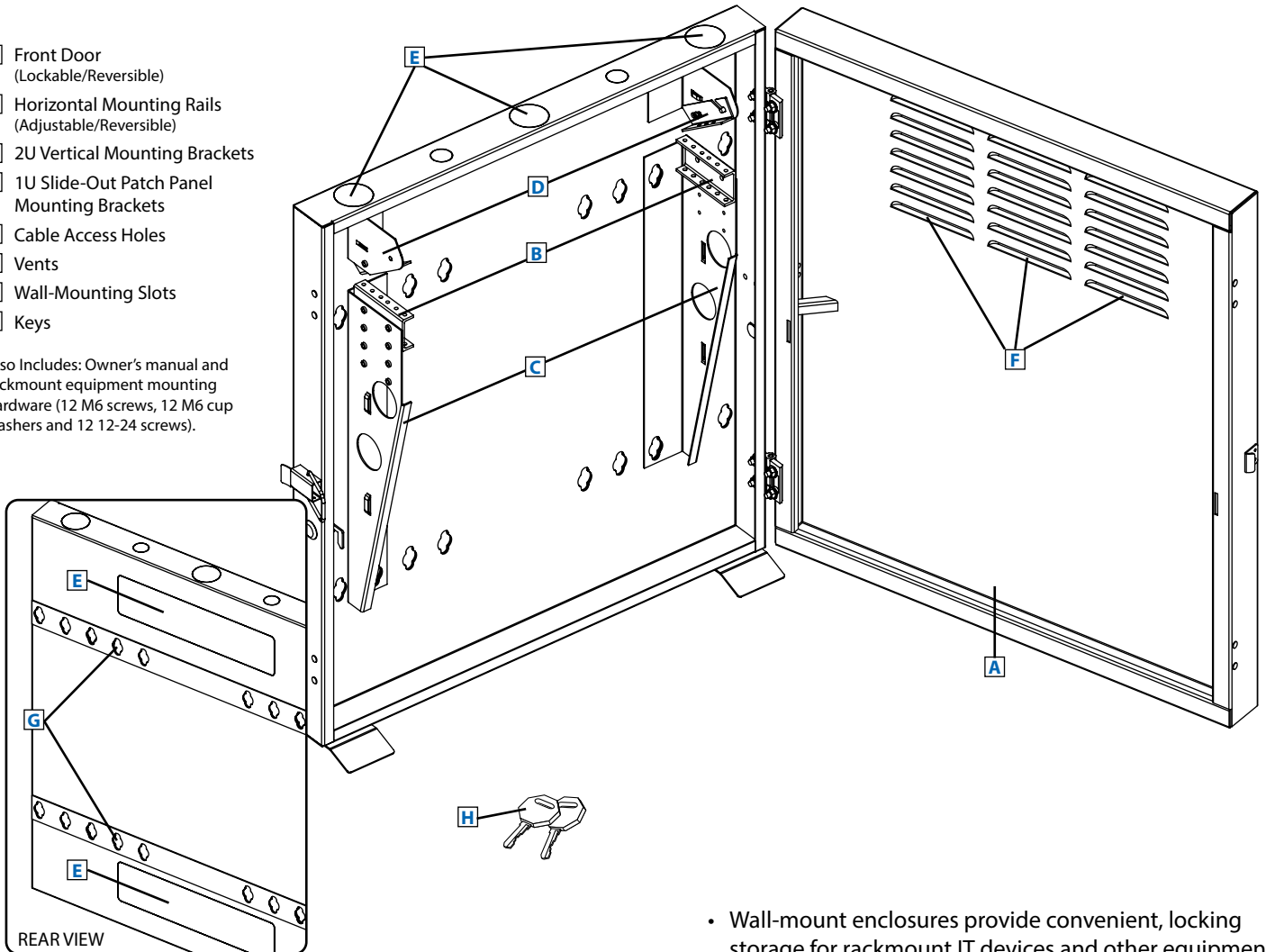
Ventilated for  
Ample Airflow



Reversible Door

- A** Front Door  
(Lockable/Reversible)
- B** Horizontal Mounting Rails  
(Adjustable/Reversible)
- C** 2U Vertical Mounting Brackets
- D** 1U Slide-Out Patch Panel  
Mounting Brackets
- E** Cable Access Holes
- F** Vents
- G** Wall-Mounting Slots
- H** Keys

Also Includes: Owner's manual and rackmount equipment mounting hardware (12 M6 screws, 12 M6 cup washers and 12 12-24 screws).



- Wall-mount enclosures provide convenient, locking storage for rackmount IT devices and other equipment that should be off the floor, out of the way and secure
- Low-profile design with vertical equipment mounting is ideal for back office or network closet applications where space is limited

**SEE NEXT PAGE FOR DETAILED UNIT MEASUREMENTS**



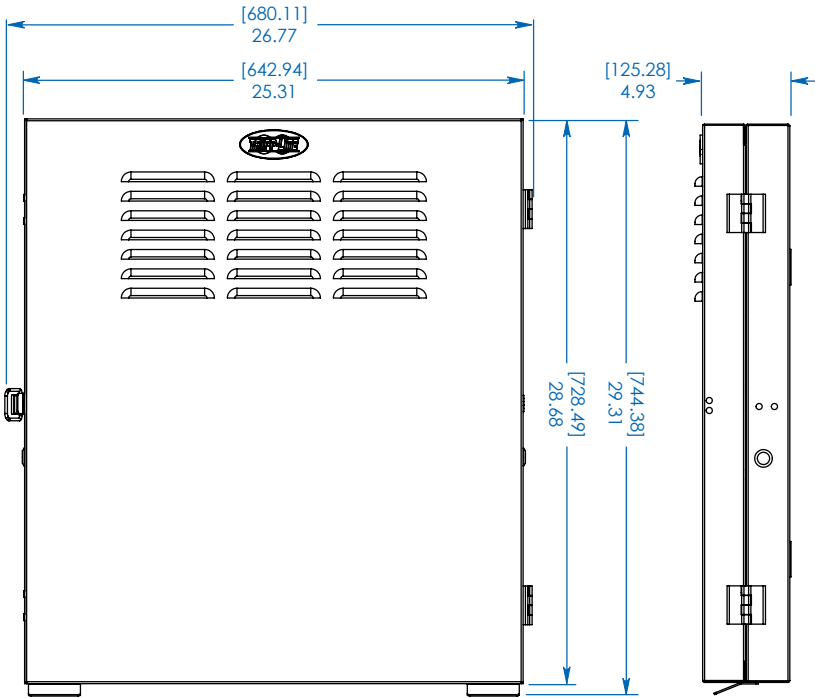
1111 W. 35th Street  
Chicago, IL 60609 USA  
773.869.1234  
www.tripplite.com

### Specifications

Model	SRWF2U
Rack Spaces	2U
Equipment Mounting Depth	Up to 20 in. / 508 mm
Load Rating*	150 lb. / 68 kg
Unit Dimensions (H x W x D)	28.8 x 25.6 x 4.5 in. / 732 x 650 x 114 mm
Shipping Dimensions (H x W x D)	34.25 x 31.1 x 9.44 in. / 870 x 790 x 240 mm
Unit Weight	51.4 lb. / 23 kg
Shipping Weight	54.7 lb. / 25 kg
Standards	Meets EIA-310-E, NOM, RoHS, PCI-DSS

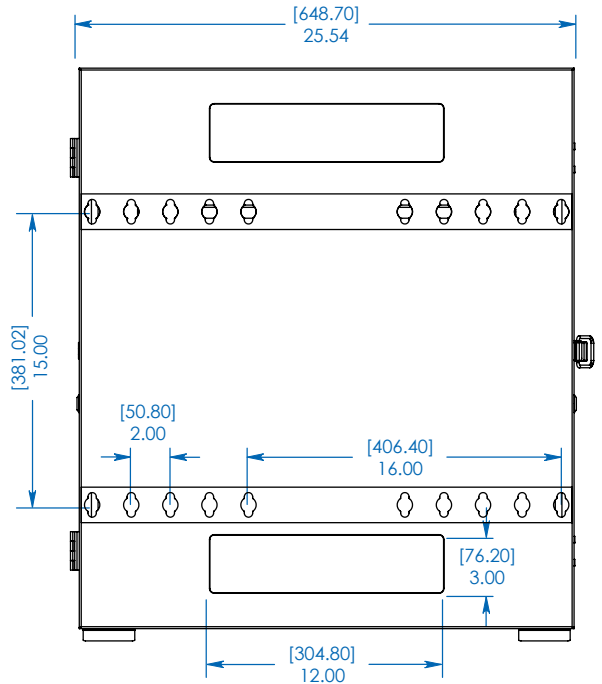
\* The load rating includes the combined weight of the unit and installed equipment. The unit must be mounted to a stable surface with user-supplied anchors capable of bearing the full load.



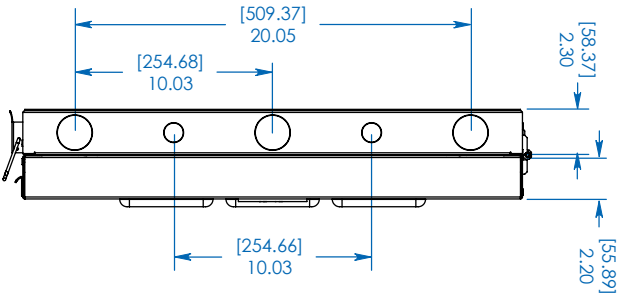


FRONT VIEW

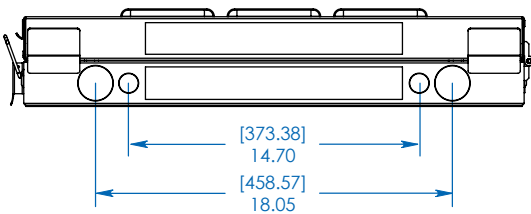
SIDE VIEW



REAR VIEW



TOP VIEW



BOTTOM VIEW

Dimensions: [mm] INCHES

Tripp Lite has a policy of continuous improvement. Specifications are subject to change without notice.

MODEL:  
**SRWF2U**  
**TRIPP·LITE**

1111 W. 35th Street  
 Chicago, IL 60609 USA  
 773.869.1234  
 www.tripplite.com