



Chipsmall Limited consists of a professional team with an average of over 10 year of expertise in the distribution of electronic components. Based in Hongkong, we have already established firm and mutual-benefit business relationships with customers from,Europe,America and south Asia,supplying obsolete and hard-to-find components to meet their specific needs.

With the principle of “Quality Parts,Customers Priority,Honest Operation,and Considerate Service”,our business mainly focus on the distribution of electronic components. Line cards we deal with include Microchip,ALPS,ROHM,Xilinx,Pulse,ON,Everlight and Freescale. Main products comprise IC,Modules,Potentiometer,IC Socket,Relay,Connector.Our parts cover such applications as commercial,industrial, and automotives areas.

We are looking forward to setting up business relationship with you and hope to provide you with the best service and solution. Let us make a better world for our industry!



## Contact us

Tel: +86-755-8981 8866 Fax: +86-755-8427 6832

Email & Skype: info@chipsmall.com Web: www.chipsmall.com

Address: A1208, Overseas Decoration Building, #122 Zhenhua RD., Futian, Shenzhen, China



## Technical Data

### QUARTZ CRYSTAL SPECIFICATION

Ref. No. \_\_\_\_\_  
 Date 5-June-00  
 Page 1 of 1

SaRonix  
 PART NO. : SRX6559 REV. : A  
 SPEC NO. : \_\_\_\_\_

CUSTOMER: \_\_\_\_\_  
 PART NO. : \_\_\_\_\_  
 DWG. or SPEC NO. : \_\_\_\_\_ REV. \_\_\_\_\_

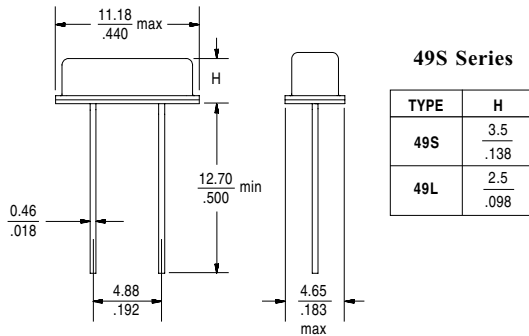
#### ELECTRICAL:

- 1.0 Operating Temperature Range -50 °C to +85 °C.  
 2.0 Frequency Temperature Stability = ± 50 ppm over -50 °C to +85 °C.

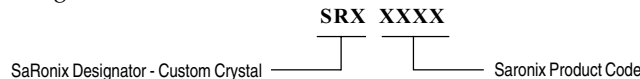
3.0 Specifications at 25°C ±2°C:	Value	Units
3.1 Frequency	4.000000	MHz
3.2 Frequency Calibration Tolerance	30	ppm
3.3 Load Capacitance	20	pF
3.4 Effective Series Resistance	90	Ohms, Max.
3.5 Drive Level - correlation operating maximum	400	μW
		μW
	2000	μW
3.6 Shunt Capacitance	7	pF, Max.
3.7 Oscillation Mode	Fundamental	
3.8		
3.9		
4.0 Test Circuit	Saunders 150C	

#### MECHANICAL:

- 5.0 Package Type:  49S  49L  
 5.1 Package Details



- 6.0 Standard Marking Formats



- 7.0 Notes

AA-05Jun00

TD-101 REV H