



Chipsmall Limited consists of a professional team with an average of over 10 year of expertise in the distribution of electronic components. Based in Hongkong, we have already established firm and mutual-benefit business relationships with customers from,Europe,America and south Asia,supplying obsolete and hard-to-find components to meet their specific needs.

With the principle of "Quality Parts,Customers Priority,Honest Operation,and Considerate Service",our business mainly focus on the distribution of electronic components. Line cards we deal with include Microchip,ALPS,ROHM,Xilinx,Pulse,ON,Everlight and Freescale. Main products comprise IC,Modules,Potentiometer,IC Socket,Relay,Connector.Our parts cover such applications as commercial,industrial, and automotives areas.

We are looking forward to setting up business relationship with you and hope to provide you with the best service and solution. Let us make a better world for our industry!



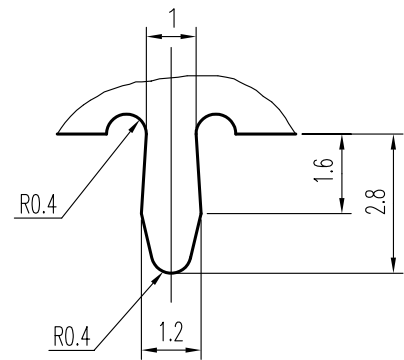
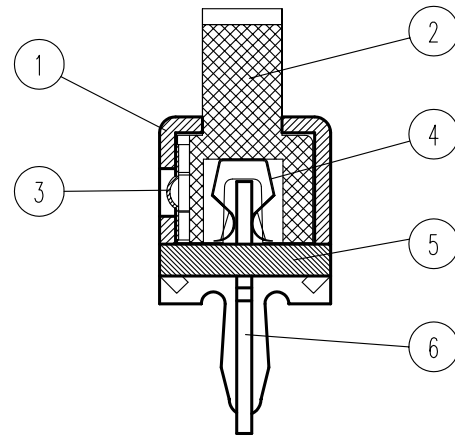
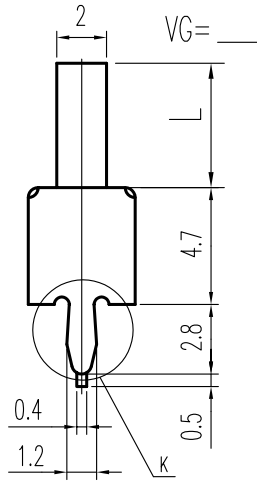
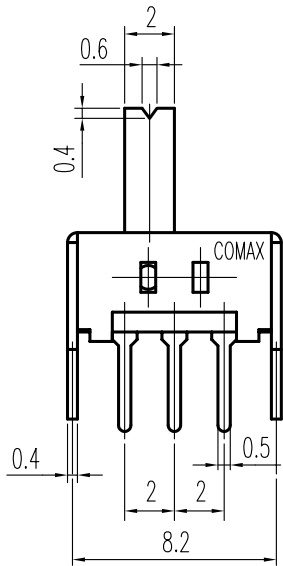
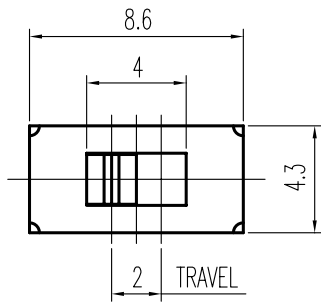
Contact us

Tel: +86-755-8981 8866 Fax: +86-755-8427 6832

Email & Skype: info@chipsmall.com Web: www.chipsmall.com

Address: A1208, Overseas Decoration Building, #122 Zhenhua RD., Futian, Shenzhen, China





K DETAIL 2 : 1

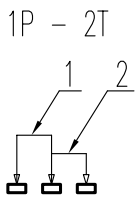
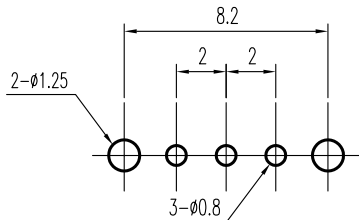


示意图 SCHEMATIC



安装孔 PIERCING PLAN

规格 Specifications

额定负荷 Ratings	DC 30 V 0.3 A
初期接触电阻 Initial Contact Resistance	20 mΩ Max.
绝缘电阻 Insulation Resistance	DC 500 V 60±5 Sec. 100 MΩ Min.
抗电强度 Dielectric Voltage	AC 500 V (50~60HZ) 60±5 Sec.

操作力 Operating Force (gf)	A → B	B → A
	250 ± 100	250 ± 100
负荷寿命 Operating Life With Load	10,000 次 Cycles	

6	端子	TERMINAL	C2680R	3	Ag PLATED			
5	基板	TERMINAL BASE	PHENOL RESIN	1	YELLOW			
4	接触片	CONTACT	C5210R	1	Ag CLAD			
3	弹片	SPRING PLATE	SUS	1	NATURAL			
2	胶柄	NOB	PA	1	VG 2-8			
1	铁壳	FRAME	S P C C	1	Sn PLATED			
序NO.	零件	PART	材料	MATERIAL	数量	QTY	备注	REMARKS

标号	REV	内容	DESCRIPTION	签名	SIGN.	日期	DATE
			DWG NO.	ITEM2691			

TOLERANCES UNLESS OTHERWISE SPEC.		TITLE	SLIDE SWITCH		ITEM NO	SS-12D07-VG	GA PA
UNDER 1	± 0.10	DRAWN	杨静华	06-06-15	VERSION	A01	PAGE 1 OF 1
1 - 10	± 0.30	REVIEWED	张念明	06-06-15	SCALE		UNIT mm
OVER 10	± 0.50	APPROVED	高洪	06-06-15	PROJECTION		

COMAX ELECTRONICS (HUIZHOU) CO.,LTD.