



Chipsmall Limited consists of a professional team with an average of over 10 year of expertise in the distribution of electronic components. Based in Hongkong, we have already established firm and mutual-benefit business relationships with customers from,Europe,America and south Asia,supplying obsolete and hard-to-find components to meet their specific needs.

With the principle of “Quality Parts,Customers Priority,Honest Operation,and Considerate Service”,our business mainly focus on the distribution of electronic components. Line cards we deal with include Microchip,ALPS,ROHM,Xilinx,Pulse,ON,Everlight and Freescale. Main products comprise IC,Modules,Potentiometer,IC Socket,Relay,Connector.Our parts cover such applications as commercial,industrial, and automotives areas.

We are looking forward to setting up business relationship with you and hope to provide you with the best service and solution. Let us make a better world for our industry!



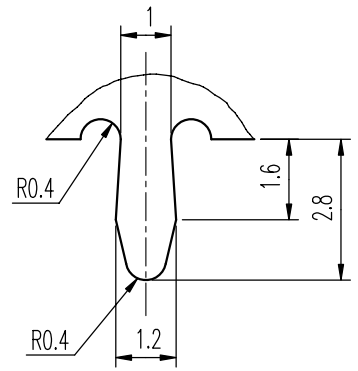
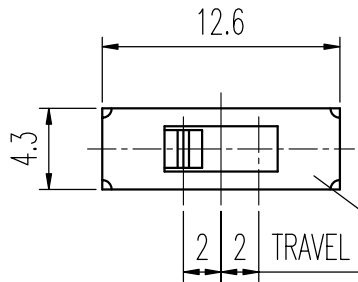
## Contact us

Tel: +86-755-8981 8866 Fax: +86-755-8427 6832

Email & Skype: info@chipsmall.com Web: www.chipsmall.com

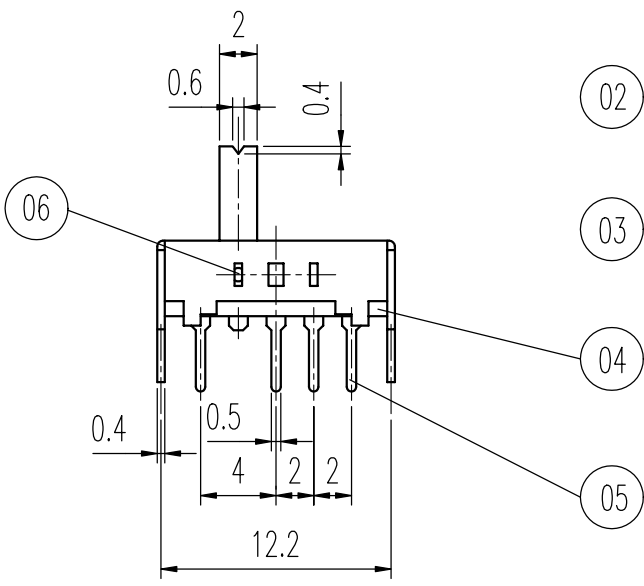
Address: A1208, Overseas Decoration Building, #122 Zhenhua RD., Futian, Shenzhen, China





K位放大图 2.7:1

01

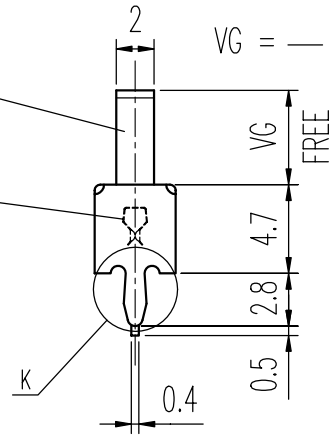


02

03

04

05



VG = —

FREE

K

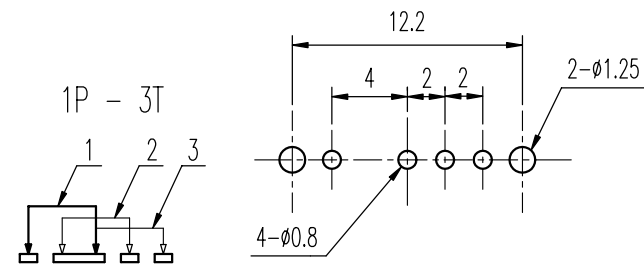


示意图 SCHEMATIC

安装孔 PIERCING PLAN

规格 Specifications

额定负荷 Ratings	DC 30 V 0.3 A
初期接触电阻 Initial Contact Resistance	30 mΩ Max.
绝缘电阻 Insulation Resistance	DC 500 V 60 Sec. 100 MΩ Min.
抗电强度 Dielectric Voltage	AC 500 V (50~60HZ) 60 Sec.

操作力 Operating Force (gf)	A → B	B → C
	C → B	B → A
负荷寿命 Operating Life With Load	200±100	250±100
	10,000 次 Cycles	

06	弹片 SPRING PLATE	C5210R	1	NATURAL
05	端子 TERMINAL	C2680R	4	Ag PLATED
04	基板 TERMINAL BASE	PHENOL RESIN	1	YELLOW
03	接触片 CONTACT CLIP	C5210R	1	Ag CLAD
02	胶柄 KNOB	PA	1	VG 2 - 8
01	铁壳 FRAME	SPCC	1	Sn PLATED
序NO.	零件 PART	材料 MATERIAL	数量 QTY	备注 REMARKS

标号 REV	内容 DESCRIPTION	签名 SIGN.	日期 DATE
DWG NO. ITEM3064			

TOLERANCES UNLESS OTHERWISE SPEC.		TITLE	SLIDE SWITCH		ITEM NO	SS-13D16-VG PA	
UNDER 1	± 0.10	DRAWN	张渠江	2009-3-20	VERSION	A01	PAGE 1 OF 1
1 - 10	± 0.30	REVIEWED	王光云	2009-3-20	SCALE		UNIT mm
OVER 10	± 0.50	APPROVED	马建和	2009-3-20	PROJECTION		

**COMAX** 高铭电子(惠州)有限公司  
Comax Electronics(Huizhou)Co.,Ltd.